

**NEW DRAWER**

# ULTRABOX

Ergonomics is within reach



# ULTRABOX

## Perfection of simplicity

Designing the new Ultra Box line of drawers, we focused on its minimalism. Designed for kitchen interiors, also bedrooms, wardrobes and bathrooms, they impress with their slim, space-saving lines. Functionality combines with the beauty of simplicity.





## Contents

### Introduction

Drawer matched to You .....	3
So many possibilities to use .....	4
Get organized.....	6
Everything is in order.....	7
Functionality in a new dimension .....	8
Make segregation easier .....	9
Perfect larder .....	10

### Make Your own drawer

Information how to order .....	15
Installation information .....	16



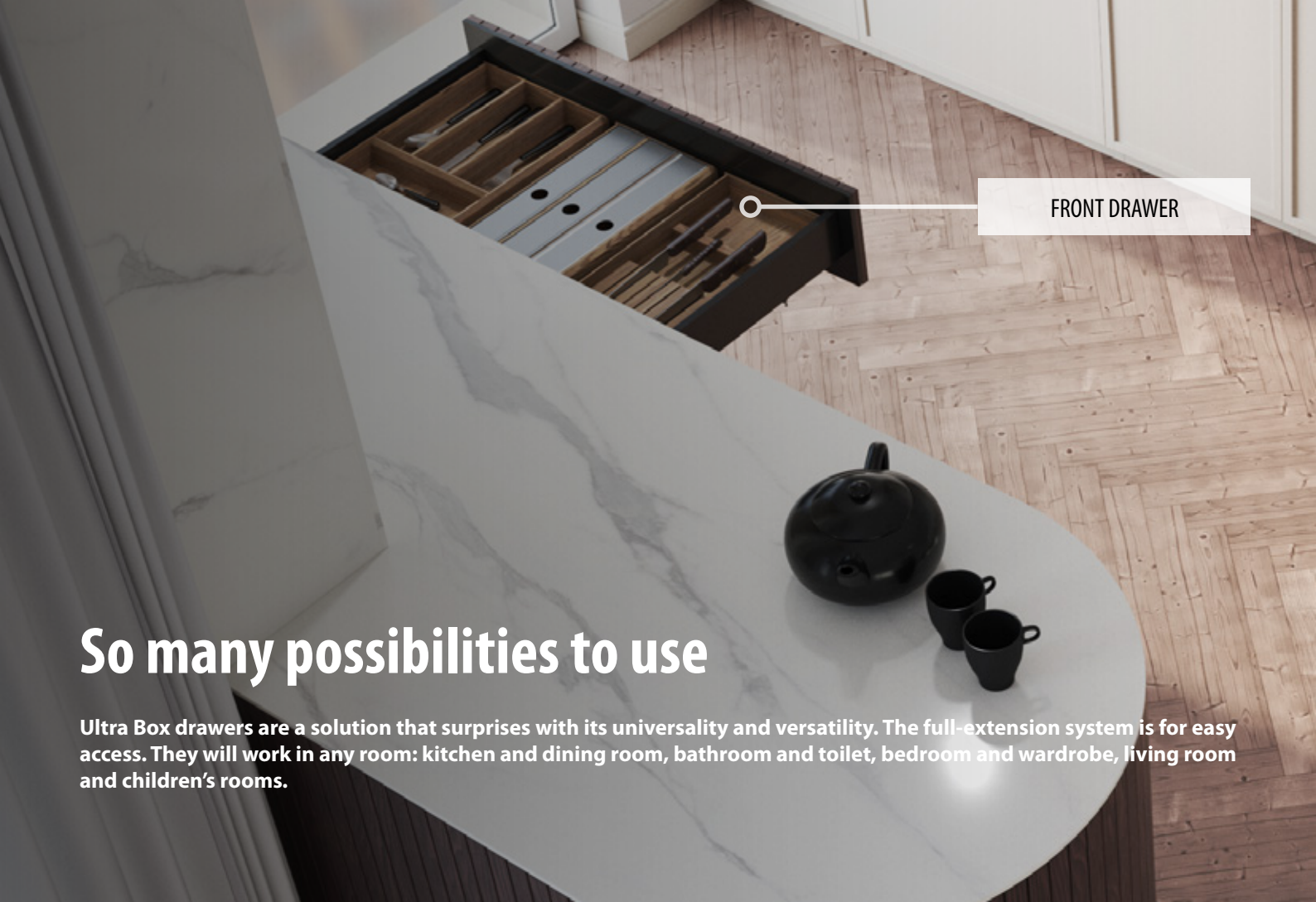
FRONT DRAWER

## Drawer matched to You

Ultra Box drawers are available in two versions: **front** and **internal**. The first one provides fast access to the items stored inside. The internal drawer is for those who like minimalism and simple cabinets construction. It is perfect for kitchen organizers or as a compact spice drawer.



INTERNAL DRAWER

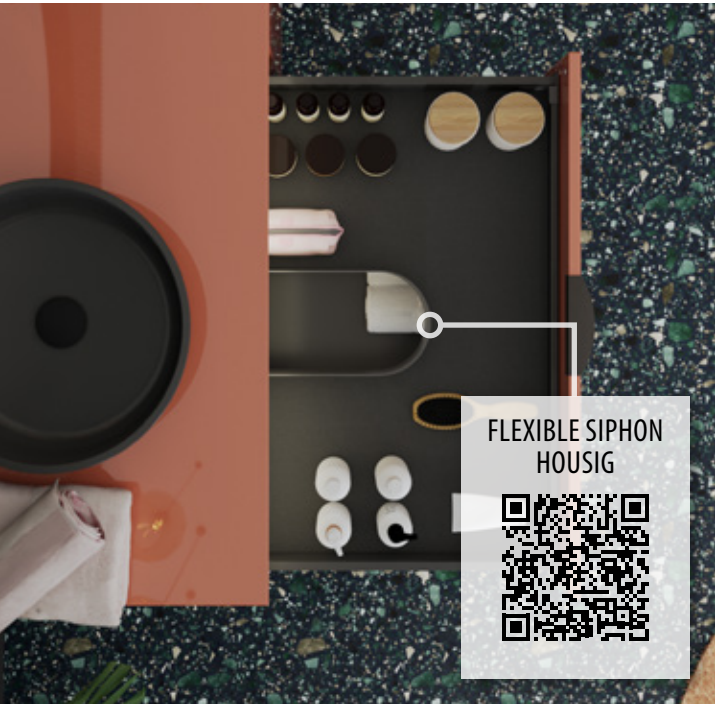


FRONT DRAWER

# So many possibilities to use

Ultra Box drawers are a solution that surprises with its universality and versatility. The full-extension system is for easy access. They will work in any room: kitchen and dining room, bathroom and toilet, bedroom and wardrobe, living room and children's rooms.

Drawers in the **bathrooms** are the perfect solution for cosmetics, detergents or towels. The first one better to place in low drawers, but detergents and towels - in deep and high drawers.



FLEXIBLE SIPHON HOUSIG



WARDROBE INSERTS

The **wardrobe inserts** work perfect in **bedrooms** and **dressing rooms**. Using them your accessories and different items are keeping in excellent order.



INNER DRAWER

Drawers in the **kitchen** make maximum use of the storage space in the lower cabinets, and at the same time provide comfortable working conditions.



METAL  
FRAME



In **work areas and offices**, Ultra Box drawers make easy to organise all your documents as well as notebooks and school items. It could be good solution to install to install them close to your desk, e.g. in a mobile container, so that you always have the materials you need within reach. Dedicated metal frames prevent products from moving and mixing.



## Get organised!

The **Ultra Box** drawers can be organised in several ways. One is to divide them using **metal frames and bins**. This is a simple and functional way to keep things from shifting, mixing and toppling.

The **Ultra Box drawer frames** are available in two colours: white and graphite. The **organizers** are available in the colour of the stainless steel from which they are made.

The frames and inserts can be moved and removed at any time. This makes it possible to adapt the organisation to the changing needs of users. And thus provide them with even **greater convenience of the drawers**.





WOODEN  
INSERTS



## Everything is in order

The modern **Ultra Box** drawer systems can be equipped with **matching wooden inserts**, making it easier to organise necessary accessories. Made of natural wood with matt lacquer covering. The inserts are practical and smart.



PLASTIC  
INSERT ORGANISER



## Functionality in a new dimension

The perfect protection for Ultra box drawers there are **anti-slip mat** made by thick and extremely flexible plastic. They could be cut to any size to fit your drawer. They prevent movement and mixing of stored things. They also protect the bottom of the drawer against scratches and reduce the noise the sound of items being putted to the drawer.



ANTI-SLIP  
MAT



## Make segregation easier

Using **Ultra Box** drawers, we can also make it easier **segregating waste**. Thanks to the **full extension** of the **Ultra Box** drawers, all bins are within easy reach, making it easier to separate waste into fractions.



WASTE  
BINS



## Perfect larder

With **Ultra Box** drawers, even the larder in a small kitchen can be **organised perfectly**.

Ultra Box drawers are available in **4 heights** and have a load capacity of **40 kg**. This allows us to match the drawer to the items which will be stored in it.



CARGO MAXI ULTRA BOX



**MAKE YOUR  
OWN DRAWER**

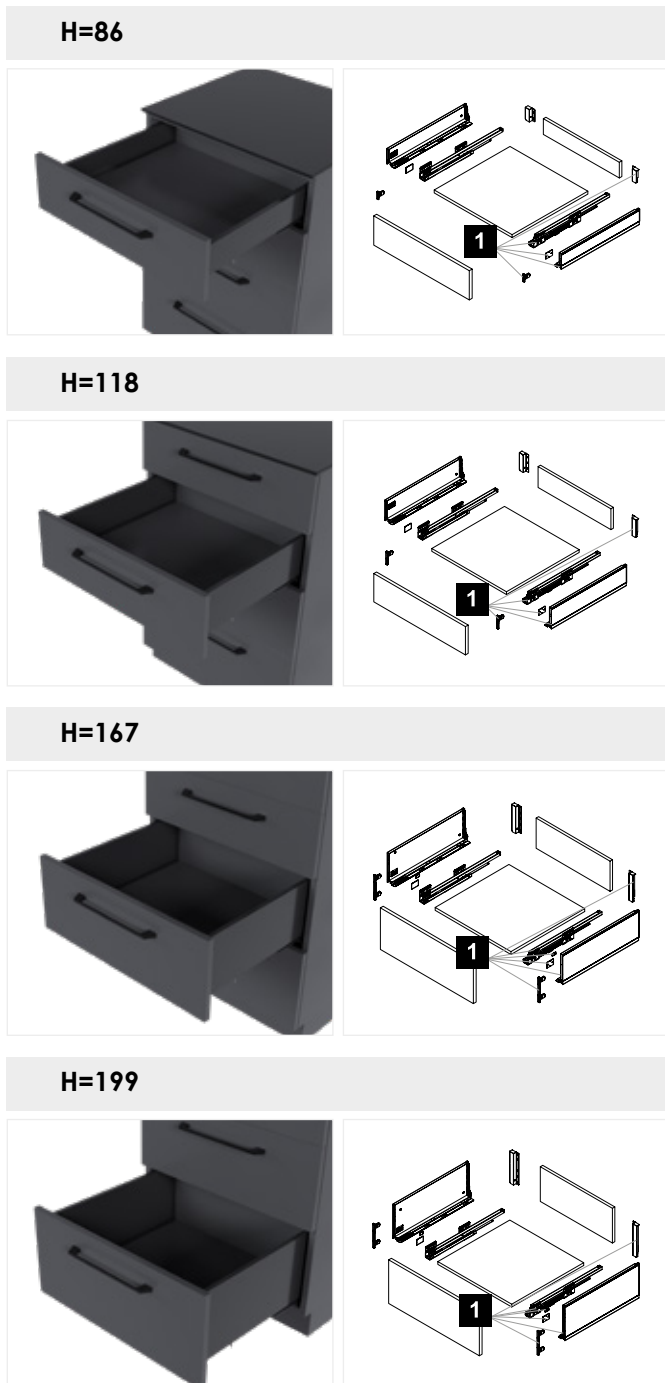


INTERNAL DRAWER

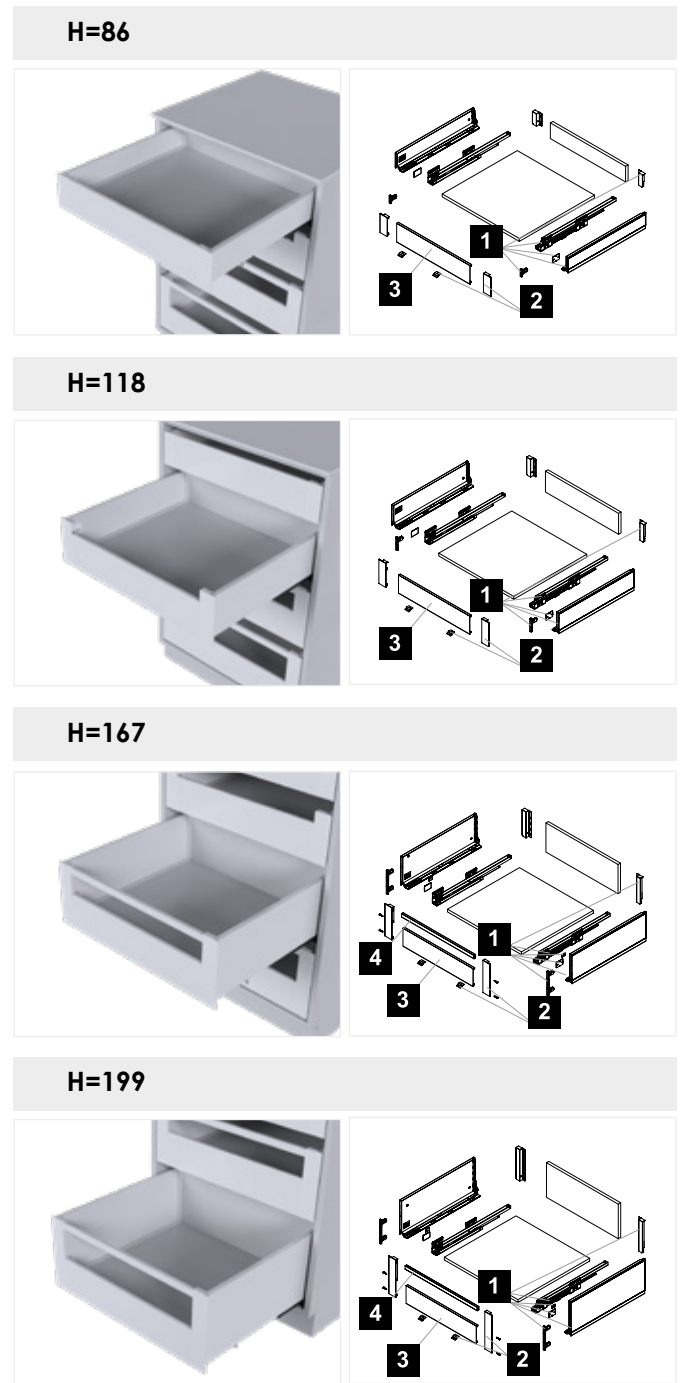
ASSEMBLY  
TEMPLATE



## Front drawers



## Internal drawers



## Characteristics





## Information how to order

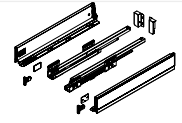
# ULTRABOX

**Front drawers** choose one of indexes under no. **1**.

**Internal drawers** choose one of indexes under no. **1** and **2**, **3**, and for H=167 and 199 also **4**.

### 1 ULTRA BOX

runner + side + back panel fixing + cap left/right



#### H=86

nominal length of runner	index	colour
300	TH03.1157.01	003, 924
350	TH03.1158.01	003, 924
400	TH03.1159.01	003, 924
450	TH03.1160.01	003, 924
500	TH03.1161.01	003, 924
550	TH03.1162.01	003, 924

#### H=118

nominal length of runner	index	colour
300	TH03.1163.01	003, 924
350	TH03.1164.01	003, 924
400	TH03.1165.01	003, 924
450	TH03.1166.01	003, 924
500	TH03.1167.01	003, 924
550	TH03.1168.01	003, 924

#### H=167

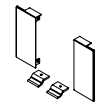
nominal length of runner	index	colour
300	TH03.1169.01	003, 924
350	TH03.1170.01	003, 924
400	TH03.1171.01	003, 924
450	TH03.1172.01	003, 924
500	TH03.1173.01	003, 924
550	TH03.1174.01	003, 924

#### H=199

nominal length of runner	index	colour
300	TH03.1175.01	003, 924
350	TH03.1176.01	003, 924
400	TH03.1177.01	003, 924
450	TH03.1178.01	003, 924
500	TH03.1179.01	003, 924
550	TH03.1180.01	003, 924

### 2 Front fixing

front fixing + front bracket left/right



#### H=86

index	colour
TH03.1182.01	003, 924

#### H=118

index	colour
TH03.1183.01	003, 924

#### H=167

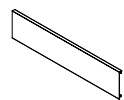
index	colour
TH03.1184.01	003, 924

#### H=199

index	colour
TH03.1185.01	003, 924

### 3 Universal metal front for drawer H=86, 118, 167, 199

L=1200 mm, cutting template LW-98



index	colour
TH03.1181.01	003, 924

### 4 Rectangular railing for drawers H=167, 199

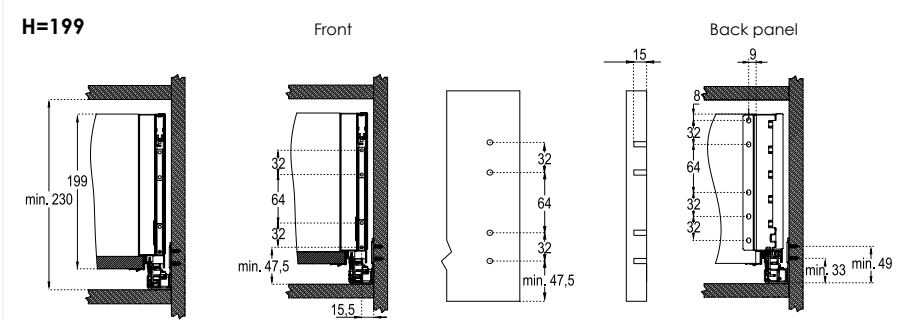
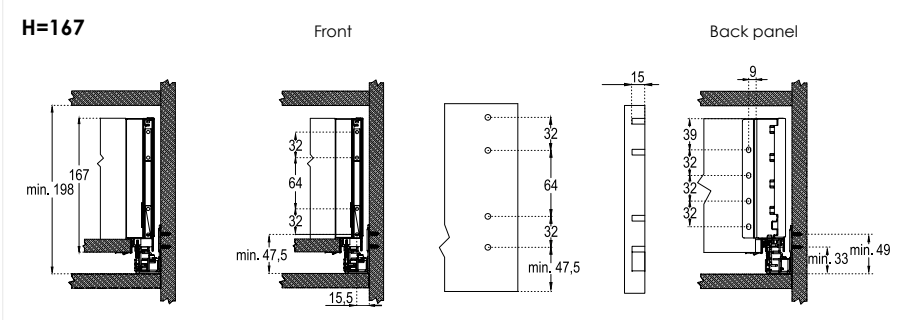
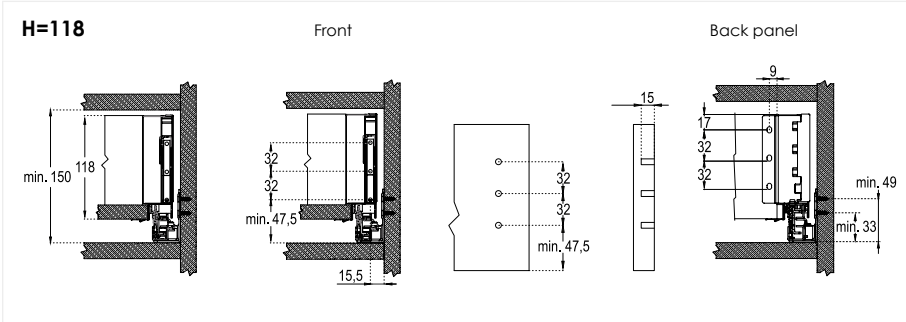
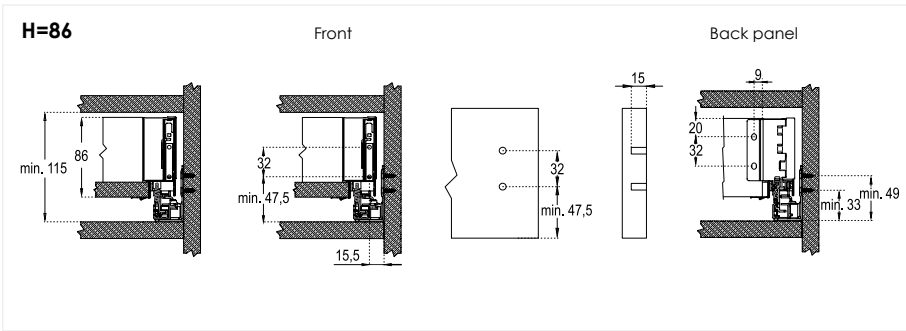
L=1200 mm, cutting template LW-85



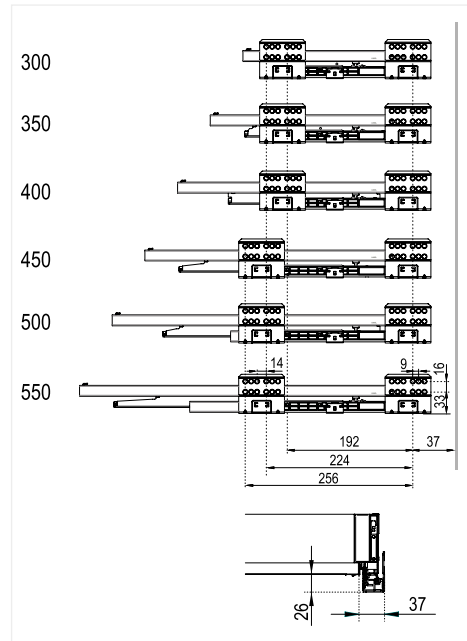
index	colour
TH03.1186.01	003, 924

COATING CODE: 003 WHITE 924 GRAPHITE

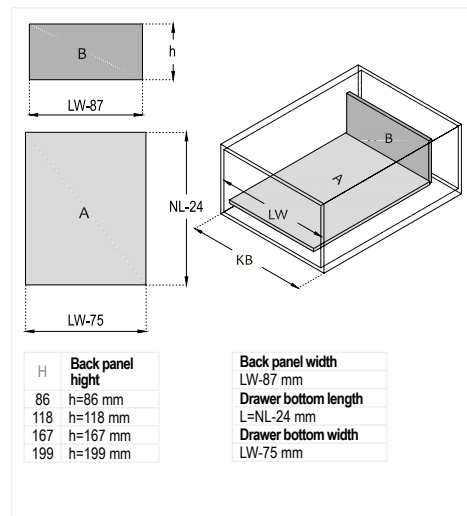
Installation dimensions | front and back panel installation



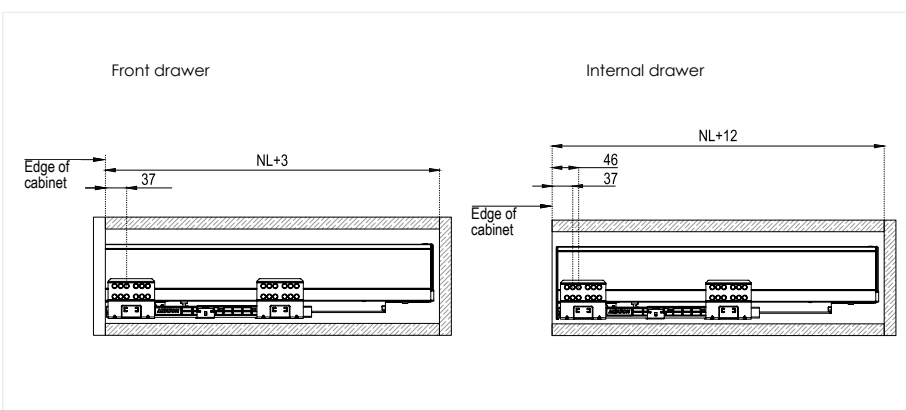
Runners installation



Bottom and back panel



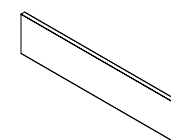
Installation dimensions | front and internal drawer



Front (internal drawer)

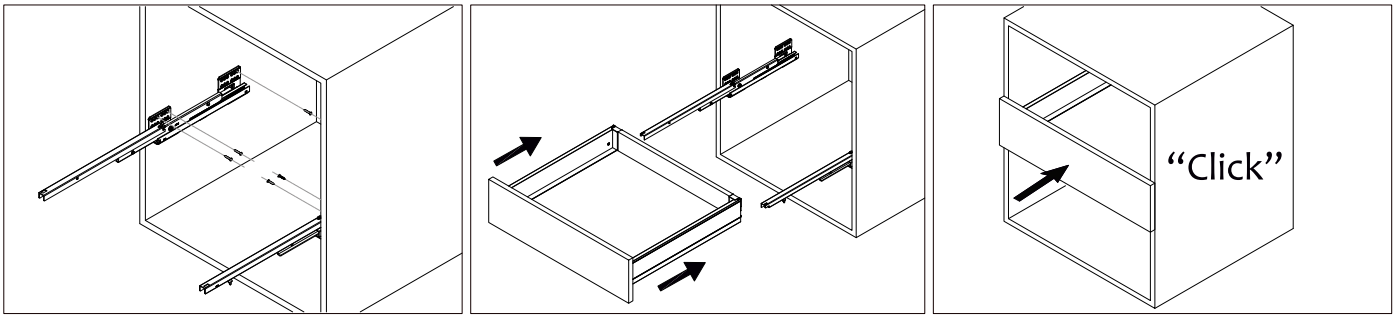
Metal front for cutting

Rectangular railing for cutting

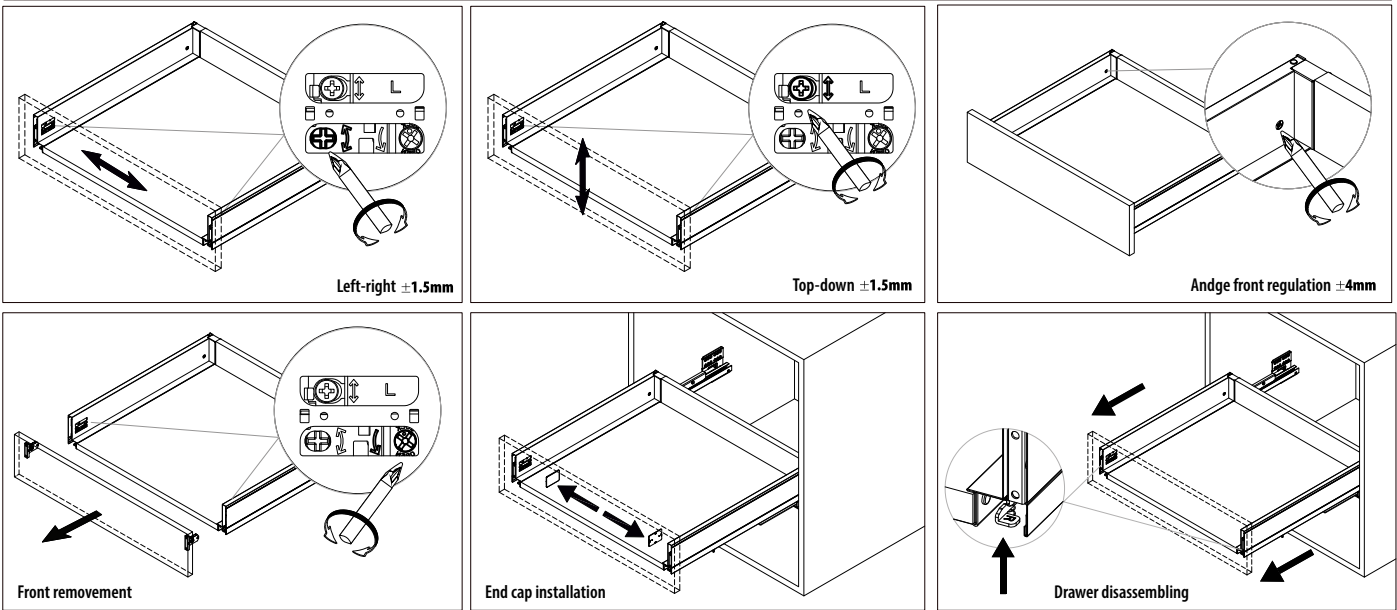


KB - external cabinet width  
 LW - internal cabinet width  
 NL - nominal length of runners

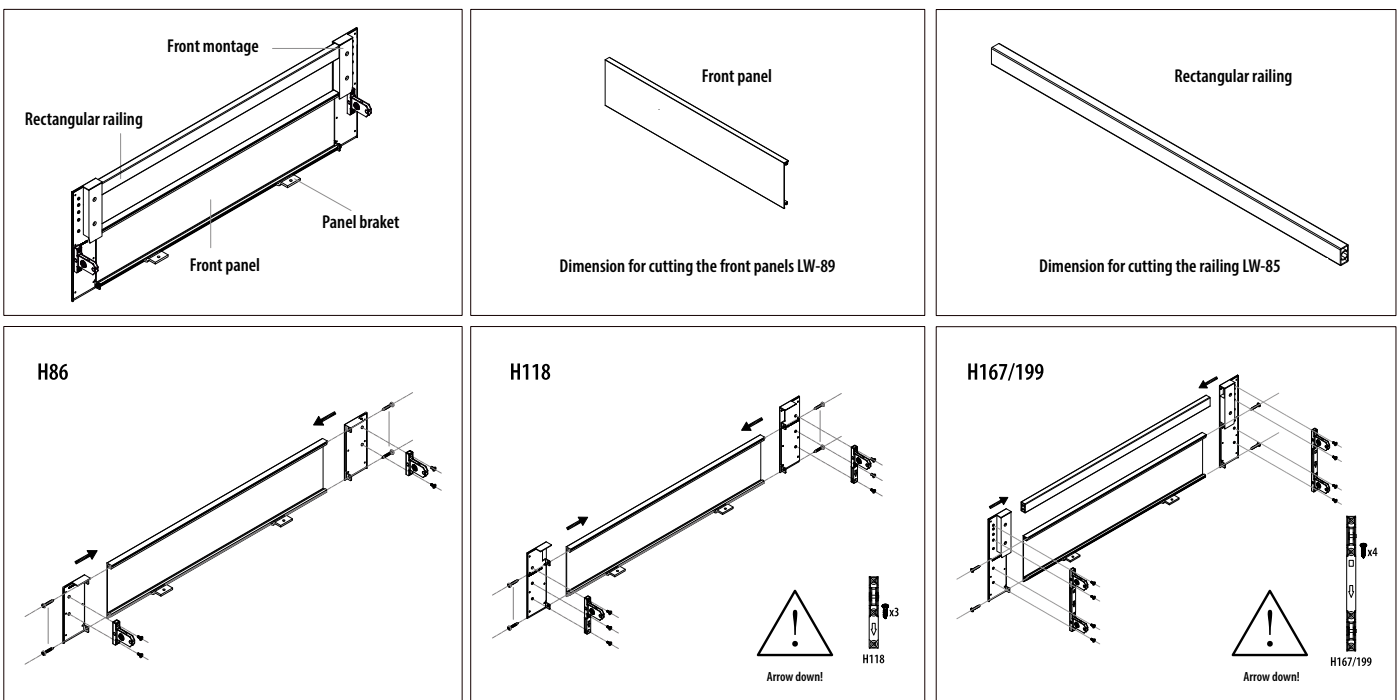
Installation at the cabinet



Regulation and disassembling



Internal drawer elements installation



## HEADQUARTERS:

REJS JVC, 87-500 Rypin, Mławska Str. 61 Poland  
Export Department: +48 54 234 0973, www.rejs.eu



## REJS FURNITURE ACCESSORIES WHOLESALERS IN POLAND:

### Białystok

15-399  
ul. Octowa 3A  
tel. 85 742 2552  
bialystok@rejs.eu

### Bralin k/Kępna

63-640  
ul. Kępińska 32  
tel. 62 781 1266  
bralin@rejs.eu

### Bydgoszcz

85-758  
ul. Przemysłowa 30B  
tel. 52 320 7225  
bydgoszcz@rejs.eu

### Elbląg

82-300  
ul. Warszawska 135  
tel. 55 236 1908  
elblag@rejs.eu

### Gdynia

81-036  
ul. Pucka 35  
tel. 58 667 2194  
gdynia@rejs.eu

### Gosławice k/Dobrodzenia

46-380  
ul. Lubliniecka 2A  
tel. 34 341 2714  
goslawice@rejs.eu

### Jelenia Góra

58-500  
ul. Wincentego Pola 8f  
tel. 505 378 584  
biuro@kielmar.pl

### Lublin

20-447  
ul. Diamentowa 10A  
tel. 81 748 0380  
lublin@rejs.eu

### Luboń k/Poznań

62-030  
ul. F. Chopina 18  
tel. 668 435 285  
poznan@rejs.eu

### Łomża

18-400  
ul. Piłsudskiego 113  
tel. 505 489 871  
lomza@rejs.eu

### Płock

09-400  
ul. Przemysłowa 16A  
tel. 24 268 1936  
plock@rejs.eu

### Rybnik

44-203  
ul. Przemysłowa 3  
tel. 32 424 4164  
rybnik@rejs.eu

### Rypin

87-500  
ul. Mławska 48  
tel. 54 233 7224  
rypin@rejs.eu

### Siemianowice Śl.

41-100  
ul. Bytomska 43  
tel. 32 253 0705  
siemianowice@rejs.eu

### Suwałki

16-400  
ul. Sejneńska 83  
tel. 87 566 3880  
suwalki@rejs.eu

### Szczecin

70-809  
ul. Cz. Piskorskiego 3  
tel. 91 434 4800  
szczecin@rejs.eu

### Świętochłowice

41-600  
ul. Sądowa 7  
tel. 32 345 4207  
swietochlowice@rejs.eu

### Toruń

87-100  
ul. Chrobrego 121/125  
tel. 56 623 7329  
torun@rejs.eu

### Zielona Góra

65-775  
ul. Zacisze 16  
tel. 68 323 9281  
zielonagora@rejs.eu

## REJS SALES POINT IN POLAND:

### Carmin SPF Sp. z o.o.

**Lublin**  
20-469  
ul. Budowlana 10  
tel. 81 749 84 34  
ep@carmin.pl

### Dekor-plyt Sp. z o.o.

**Łódź**  
94-103  
ul. Elektronowa 4  
tel. 42 688 90 05  
biuro@dekor-plyt.pl

### Fest Sp. z o.o.

**Olsztyn**  
10-603  
ul. Metalowa 3C  
tel. 89 532 96 52  
jarek@fest.olsztyn.pl

### Furnifit Sp. z o.o.

**Biłgoraj**  
23-400  
ul. Lubelska 8  
tel. 534 888 787  
sklep@furnifit.pl

### Kraft Sp. z o.o.

**Wrocław**  
51-318  
ul. Zakrzowska 23  
tel. 600 486 099  
rafal.drozowski@kraft-am.pl



RejsRypin



REJS Group