



CATALOGUE

2022



Contents

■ ABOUT US.....	5
■ KITCHEN	12
Systems for lower cabinets	14
Variant MULTI Line mini side cargo	14
Variant MULTI Line mini base cargo	18
Maxima Line mini side cargo	24
Maxima Line mini base cargo	26
Corner cabinet systems	28
Maxima Line Corner Comfort	28
Maxima Line Corner Front.....	30
Maxima Line Corner Optima	32
Variant Line, Maxima Line Carousels	34
Storage for tall cabinets	36
Maxima Line cargo midi / maxi	36
Maxima Line base cargo midi / maxi	38
Cargo maxi Slim Box	40
Systems for overhead cabinets	42
Dish drainers.....	42
Drawer systems.....	44
Dish drainers.....	44
Complementary components.....	46
Variant MULTI Line / Maxima Line.....	46
Maxima Line / Dish drainers.....	47
Organizers and accessories	48
Wine glass rack.....	48
Railing system.....	50
Basic components	50
Technical information	52
Variant MULTI Line side cargo mini	52
Variant MULTI Line mini base cargo	53
Maxima Line mini side cargo, mini base cargo	55
Maxima Line Corner Comfort	56
Maxima Line Corner Front.....	57
Maxima Line Corner Optima	58
Variant Line, Maxima Line Carousels.....	59

Maxima Line midi / maxi side cargo	60
Maxima Line midi / maxi base cargo	61
Cargo maxi Slim Box	62
Dish drainers.....	63
Railing system.....	66
WASTE SEGREGATION	70
Segrego.....	72
JC	74
Variant MULTI.....	76
Praktiko.....	78
Sorte.....	80
Aladin, Sesamo, Automat	82
Electrical drawer opening systems	84
Containers and accessories for individual combinations	88
DRAWER SYSTEMS AND RUNNERS.....	92
Overview of the icons used in the catalogue	94
Drawer systems.....	95
Maxima Puro - internal drawers	96
Slim Box - drawers with front	98
Slim Box - internal drawers.....	100
Comfort Box - drawers with front.....	102
Comfort Box - internal drawers	104
Metal Box	106
Internal organisation	110
Internal organisation - Slim Box.....	122
Internal organisation - Comfort Box	124
Accessories	126
Maxima Puro - internal drawers - assembly information	129
Slim Box - assembly information	130
Comfort Box - assembly information.....	131
Metal Box - assembly information.....	132
Runner systems.....	133
Roller Runner.....	134
Ball bearing runner.....	135
Base mounted runner	139
Roller runner Basic - assembly information	142
Ball bearing runner H45 without soft-close.....	143
Solid Slide ball-bearing runner H45 with soft close - assembly information	144
Ball bearing runner H45 push open - assembly information.....	145
Comfort Slide 3D 30 kg - assembly information	146
Comfort Slide Plus 3D soft-close 40 kg - assembly information	147
Comfort Slide Plus 3D push open 40 kg - assembly information	148
THE DRESSING ROOM.....	150
Maxima Puro Line.....	152
Variant Multi Line	160
Simpla.....	163
Hangers	164
Accessories	167
BATHROOM, LAUNDRY, UTILITY ROOM	172
Bathroom	175
Drawers & baskets.....	176
Flexible siphon housing	182
Accessories	184
Technical information	185
Laundry, utility room	189

House Master - organisational system for housekeeping articles	190
Mini base cargo	192
Hooks, holders, baskets.....	194
OFFICE	200
Desk Frame.....	202
Extension leads.....	206
Accessories	210
HINGES AND FLAP FITTINGS.....	214
Overview of the icons used in the catalogue	216
Hinges.....	217
Offer Overview	217
Expert - general information	218
Regular - general information.....	220
Basic - general information.....	221
Expert - Standard Application.....	222
Expert - Angled Application +45°.....	224
Expert - Parellel Application	226
Expert - Special Application - wide opening angle 130° - 165°	228
Expert - Special Application - wide opening angle, zero offset.....	230
Regular - Standard Application	232
Basic - Standard Application.....	234
Basic - Angled Application	236
Basic - Parellel Application	238
Basic - Special Application - wide opening angle.....	240
Dampening and non-handled opening systems	242
Damper / CLICK-ON	242
Flap fittings	243
Kitchen cabinet flap lifts - general information	243
Flap lifts	244
HANDLES AND FURNITURE KNOBS, HOOKS, ALUMINIUM FRAMES	248
Furniture handles and hooks - portfolio overview	250
Furniture handles	253
Screwed	255
Knobs.....	265
Edges	269
Assembly template for handles and furniture knobs	274
Furniture hooks and hangers	275
Aluminium profiles and frames.....	285
Icons indication	289
LED LIGHTING	290
Led strips	293
Led profiles	297
Power supplies	301
Electrical wires	307
Switches	309
Accessories	314
Rectangular pop-up power socket.....	315
Pull-out round power socket.....	317
Icons indication	319
ADDITIONAL ACCESSORIES	320
Furniture legs	322
Furniture feet	323

Clips, regulators, plugs	327
Glides and castors	328
Wall cabinet hangers and mounting strips	329
Furniture braces and connectors.....	332
Shelf supports and brackets	335
Aluminium trims.....	337
Ventilation grills.....	338
Locks.....	339
Bench frames, plinth frames	340
Brackets and clamps.....	341
Various accessories	343
Information section	345



ABOUT US

REJS AS A MANUFACTURER



Rejs is one of the leading manufacturers of furniture accessories in Europe. We specialize in the production of wire, steel and aluminum fittings for modern kitchens, bathrooms and wardrobes. The founder and owner is Jan Rejs who, together with his sons, has been implementing the company's strategy continuously since 1993.

Currently, the company employs 700 employees, three modern production plants operate within the REJS group, a modern research and development center, central warehouse and tool shop. Thanks to our own paint shops, electroplating plants and carpentry centers, REJS can provide comprehensive customer service at each stage of implementation.

Our goal is excellence - both in quality and professional customer service. That is why take we great care of our own-distribution network, guaranteeing price competitiveness, deliveries in a short time, as well as friendly and professional help of advisers.



- principle production activities are **furniture elements**
- the main raw materials for production are **steel, wire and aluminum**
- production process based on the **latest technologies**
- **highly qualified design engineers**, programming and quality control
- **research and development department**
- **Protech** provides services in the field of applying decorative coatings to metals, it is one of the **largest and most modern electroplating companies in Poland**
- **Alus** - a modern aluminium and glass processing plant

- 3 production facilities
- central warehouse
- modern toolshop
- Research & Development Department



REJS IN NUMBERS



FAMILY COMPANY

We are a member of the Family Company Foundation



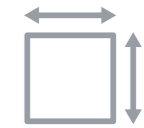
MANY YEARS OF EXPERIENCE

Established in 1993



COVERAGE

28 sales branches across Poland and abroad



SURFACE AREA

40.000 m² całkowitej powierzchni



PRODUCTION

3 production facilities



WHOLESALEERS

16 Furniture accessories wholesalers, 2 showrooms



QUALITY GUARANTEE

Certificate ISO 9001:2015



EMPLOYEES

700 staff employed in the REJS group

SERVICES FOR INDUSTRY



POWDER COATING



SHEET METAL LASER PROCESSING



ALUMINIUM PROCESSING



METAL FORMING



WIRE FORMING



TUBE & PROFILE FORMING



CNC GLASS FORMING



GLASS FORMING



WELDING



SANDING & BUFFERING



ELECTROPLATING



PAINTING HOOKS



SPOT WELDING



3D models



a gallery of inspiration



assembly films



FIND US HERE



e-rejs.eu



RejsRypin



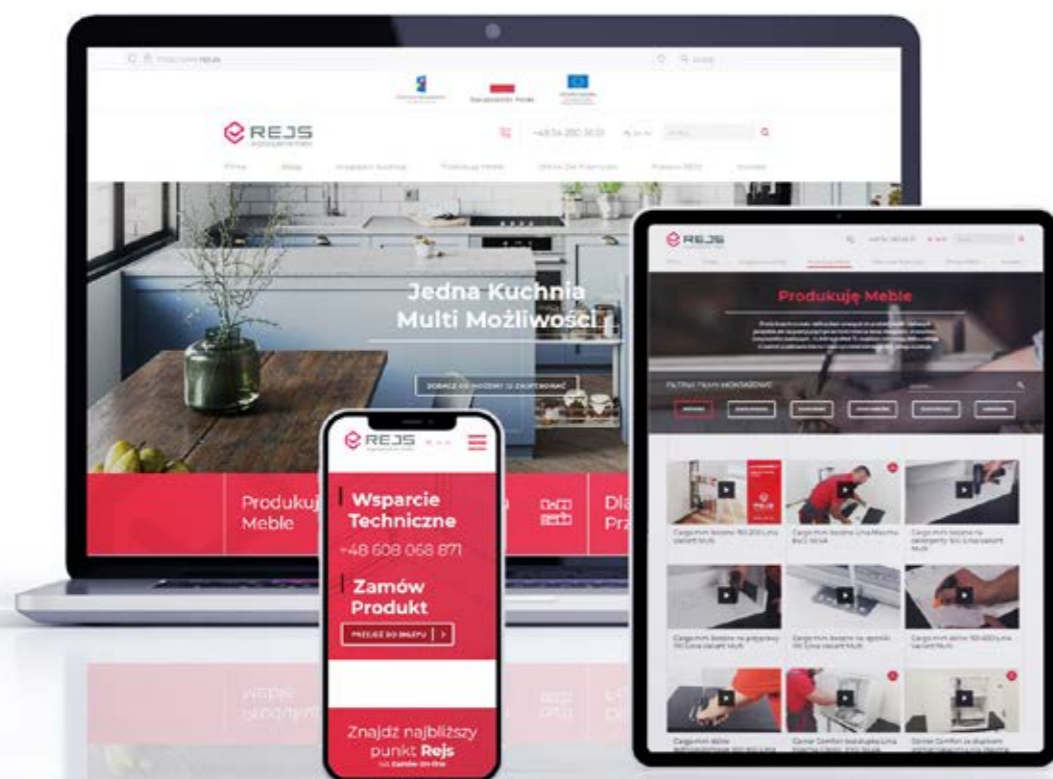
rejs_wyposazenie_mebli



REJS Group



REJSakcesoria



REJS IN POLAND...



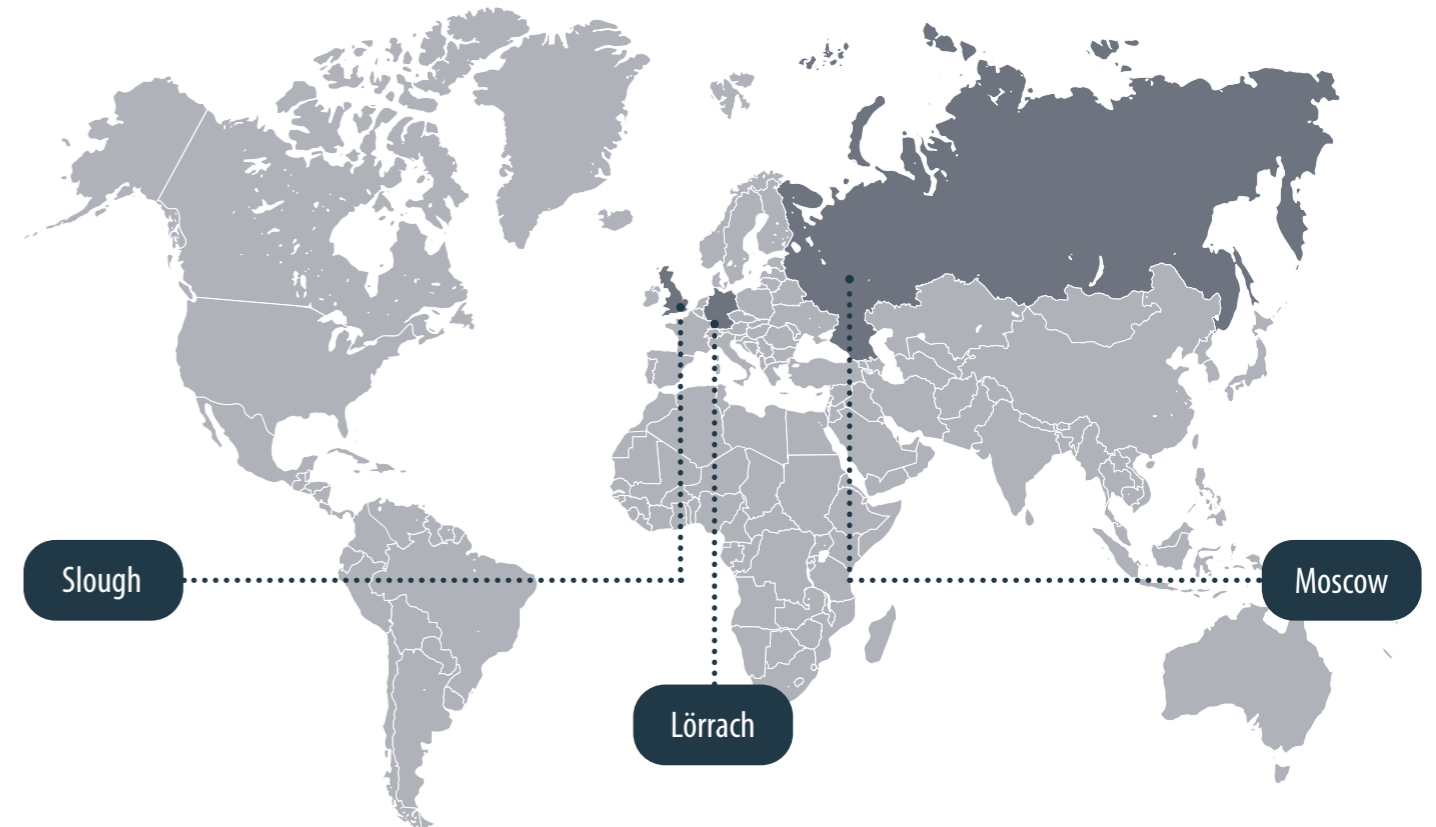
REJS FURNITURE ACCESSORIES WHOLESALERS

Białystok 15-399 ul. Octowa 3A tel. 85 742 2552 bialystok@rejs.eu	Bralin k/Kępna 63-640 ul. Kępińska 32 tel. 62 781 1266 bralin@rejs.eu	Bydgoszcz 85-758 ul. Przemysłowa 30B tel. 52 320 7225 bydgoszcz@rejs.eu	Elbląg 82-300 ul. Warszawska 135 tel. 55 236 1908 elblag@rejs.eu	Gdynia 81-036 ul. Pucka 35 tel. 58 667 2194 gdynia@rejs.eu	Gostawice k/Dobrodzienia 46-380 ul. Lubliniecka 2A tel. 34 341 2714 gostawice@rejs.eu
Lublin 20-447 ul. Diamentowa 10A tel. 81 748 0380 lublin@rejs.eu	Luboń k/Poznań 62-030 ul. F. Chopina 18 tel. 61 862 3143 poznana@rejs.eu	Łomża 18-400 ul. Piłsudskiego 113 tel. 797 158 024 lomza@rejs.eu	Płock 09-400 ul. Przemysłowa 16A tel. 24 268 1936 plock@rejs.eu	Rybnik 44-203 ul. Przemysłowa 3 tel. 32 424 4164 rybnik@rejs.eu	Rypin 87-500 ul. Mławska 48 tel. 54 233 7224 rypin@rejs.eu
Siemianowice Śl. 41-100 ul. Bytomska 43 tel. 32 253 0705 siemianowice@rejs.eu	Suwałki 16-400 ul. Sejneńska 83 tel. 87 566 3880 suwalki@rejs.eu	Szczecin 70-809 ul. Cz. Piskorskiego 3 tel. 91 434 4800 szczecin@rejs.eu	Świętochłowice 41-600 ul. Sądowa 7 tel. 32 345 4207 swietochlowice@rejs.eu	Toruń 87-100 ul. Chrobrego 121/125 tel. 56 623 7329 torun@rejs.eu	Zielona Góra 65-775 ul. Zacisze 16 tel. 68 323 9281 zielonagora@rejs.eu

REJS AUTHORISED DISTRIBUTORS

Carmin SPF Sp. z o.o. Lublin 20-469 ul. Budowlana 10 tel. 81 749 84 34 ep@carmin.pl	Dekor-plyt Sp. z o.o. Łódź 94-103 ul. Elektronowa 4 tel. 42 688 90 05 biuro@dekor-plyt.pl	Fest Sp. z o.o. Olsztyn 10-603 ul. Metalowa 3C tel. 89 532 96 52 jarek@fest.olsztyn.pl	Furnifit Sp. z o.o. Biłgoraj 23-400 ul. Lubelska 8 tel. 534 888 787 sklep@furnifit.pl	Kielmar Sp. z o.o. Jelenia Góra 58-500 ul. Wincentego Pola 8f tel. 505 378 584 biuro@kielmar.pl	Kraft Sp. z o.o. Wrocław 51-318 ul. Zakrzowska 23 tel. 600 486 099 rafal.drozdowski@kraft-am.pl
--	--	---	--	--	--

...AROUND THE WORLD



REJS IN EUROPE:

Germany Rejs Ausstellungsraum 79540 Lörrach, Kreuzstraße 2 tel. +49 (0) 7621/ 9537920 e-mail: rejs.de@rejs.eu	Russia REJS RUS LLC 140009, МО, ГО Люберцы, ДП Красково, Новомарусинский пр-д, д.10 +7-495-9-888-626 buro@rejsrus.com	Great Britain REJS UK INT LTD. Unit 28, Slough Business Park 94 Farnham Road, Slough SL1 3FQ tel. 078 8724 1688 e-mail: office@rejsltd.co.uk www.rejsltd.co.uk
---	---	--



KITCHEN



Let's start with the kitchen ...

The kitchen is the place where the heart of every home beats. Lazy breakfasts, family dinners, romantic suppers. A meeting place for all household members. In order to fully enjoy it's comfort, it is worth thinking about how the space should be arranged, at the beginning of the designing stage. Thanks to the spacious drawers and cargo baskets, we will have convenient access to all stored products - even those at the back and below.

One kitchen, many possibilities

REJS systems consist of several product lines. The **Variant MULTI line** is packed with solutions and even more product configuration options. The user chooses the type of running system and the version of wire baskets, enabling the creation of an ideally tailored product to be created, suiting the needs and characteristics of a given place in the kitchen, as well as the size of the wallet.

The **Maxima line** is a system designed for a demanding user, it includes 4 styles of baskets: Puro, Silva, Evo and Classic. The heart of the systems for lower and tall cabinets are durable frames and extension systems, guaranteeing smooth and comfortable movement during thousands of opening and closing cycles.

The **Maxima Puro line** is the latest offer from REJS, available in two color versions: black with wooden decor and white - with glass. The full shelves of the system are made from high steel quality. Each system is equipped with a matched colour anti-slip mat. The **Maxima Silva line** is characterized by shelves made of laminated board and chrome are wire, **Maxima Evo** is in turn a combination of chrome wire and plastic trays which can be detached and easy to clean. In the **Maxima Classic** version, the cargo baskets are fully made from chrome wire. You can store cutlery, pots and dry food on them - like flour or sugar, as they ensure good air circulation.

The kitchen accessories offer is complemented by: one and two-tier drainers and railing systems, which can be a practical and decorative elements of the kitchen at the same time.





Basic Components

1 Side basket 150-250



width	index	colour
150	WE03.7319.01	001, 003, 062, 549
200*	WE03.7419.01	001, 003, 062, 549
250**	WE29.0124.01	001, 062, 549

2 Side extension system

extension system / runner	fixing side	index	colour
REJS FULL	L	WE29.0012.01	549
REJS FULL	R	WE29.0013.01	549

full extension, soft close L-450



cover plate	fixing side	index	colour
BLUM TANDEM PLUS	L	WE29.0024.01	549
BLUM TANDEM PLUS	R	WE29.0025.01	549

runner not included
compatible only with runner
560H4500B



extension system / runner	fixing side	index	colour
REJS PUSH	L	WE29.0015.01	549
REJS PUSH	R	WE29.0016.01	549

full extension, push-open L-450



cover plate	fixing side	index	colour
BLUM TANDEM PLUS	L	WE29.0152.01	549
BLUM TANDEM PLUS	R	WE29.0153.01	549

runner not included
compatible only with runner
560F4500B



extension system / runner	fixing side	index	colour
HETTICH QUADRO V6	L	WE29.0021.01	549
HETTICH QUADRO V6	R	WE29.0022.01	549

full extension, soft close L-450



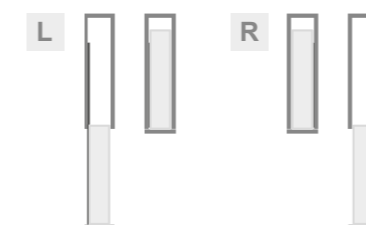
Product characteristics:

- maximum load capacity: 10 kg
- additional shelves can be installed, increasing storage capacity
- optional dividers for internal organisation can be installed, preventing the contents from moving around
- quick tool-free basket installation - patented Click system
- compatible with popular runner brands with various functions



Additional information

Cargo extension diagram:



Complementary components on pg. 46
Installation instructions on pg. 52

Legend:

* Compatible with all running systems except the Tandem Plus 560F4500B
** compatible with all extension systems with the exception of REJS PUSH

L R indicates which side of the cabinet corpus the basket is fixed to



Basic Components

1 Side basket for towels 150



width	index	colour
150	WE29.0001.01	001, 062

2 Side extension system

extension system / runner	fixing side	index	colour
REJS FULL	L	WE29.0012.01	549
REJS FULL	R	WE29.0013.01	549

full extension, soft close L-450



extension system / runner	fixing side	index	colour
HETTICH QUADRO V6	L	WE29.0021.01	549
HETTICH QUADRO V6	R	WE29.0022.01	549

full extension, soft close L-450



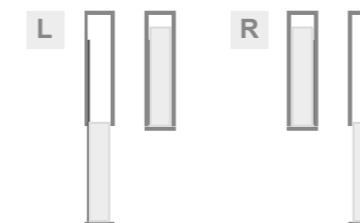
Product characteristics:

- maximum load capacity: **10 kg**
- the contoured frame allows for hanging towels or cloths
- **additional shelves** can be installed, increasing storage capacity
- optional **dividers for internal organisation** can be installed, preventing the contents from moving around
- quick **tool-free** basket installation - patented Click system
- compatible with well-know runner brands of **varying types**



Additional information

Cargo extension diagram:



Complementary components on pg. 46
Installation instructions on pg. 52

Legend:

L R indicates which side of the cabinet corpus the basket is fixed to



Kitchen

Kitchen

Product characteristics:

- maximum load capacity: 20 kg
- additional shelves can be installed in order to increase the storage capacity
- optional **dividers for internal organisation** can be installed, preventing the contents from moving around
- quick **tool-free** basket installation - patented Click system
- compatible with popular runner brands with various functions



Basic Components

1 Base basket 150-600



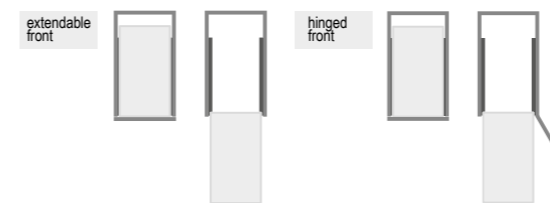
width	index	colour
150*	WE29.0003.01	001, 003, 062, 549
200*	WE29.0004.01	001, 003, 062, 549
250*	WE29.0125.01	001, 062, 549
300	WE29.0005.01	001, 003, 062, 549
400	WE29.0006.01	001, 003, 062, 549
500	WE29.0007.01	001, 003, 062, 549
600	WE29.0008.01	001, 003, 062, 549

2 Base extension system

extension system / runner	index	colour		extension system / runner	index	colour	
REJS FULL	WE29.0014.01	549	 full extension, soft close L-450 	HETTICH QUADRO V6	WE29.0023.01	549	 full extension, soft close L-450
REJS FULL	WE29.0128.01	549	 for cabinets with hinged doors, full extension, soft close L-450 	cover plate	index	colour	 runner not included compatible only with runner 560H4500B
					BLUM TANDEM PLUS	WE29.0026.01	
REJS PUSH	WE29.0017.01	549	 full extension, push-open L-450 	cover plate	index	colour	 runner not included compatible only with runner 560F4500B
					BLUM TANDEM PLUS	WE29.0154.01	

Additional information

Cargo extension diagram:



Complementary components on pg. 46
Installation instructions on pg. 53

Legend:
* compatible only with REJS FULL extension system



Basic Components



1 Single base basket 300-600





width	index	colour
300	WE29.0009.01	001, 003, 062, 549
400	WE29.0010.01	001, 003, 062, 549
500	WE29.0011.01	001, 003, 062, 549
600	WE29.0151.01	001, 003, 549

2 Base extension system



extension system / runner	index	colour
REJS FULL	WE29.0014.01	549
full extension, soft close L-450		



cover plate	index	colour
BLUM TANDEM PLUS	WE29.0026.01	549
runner not included compatible only with runner 560H4500B		

extension system / runner	index	colour
REJS FULL	WE29.0128.01	549
for cabinets with hinged doors, full extension, soft close L-450		

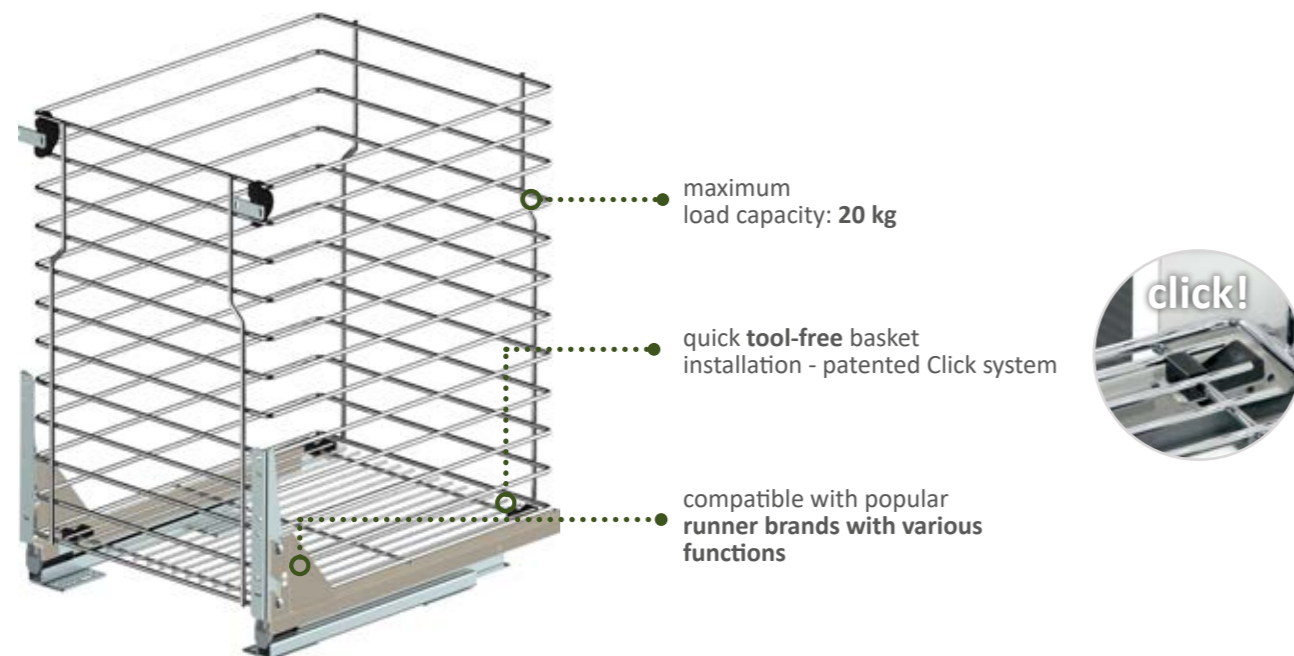
cover plate	index	colour
BLUM TANDEM PLUS	WE29.0154.01	549
runner not included compatible only with runner 560F4500B		

extension system / runner	index	colour
HETTICH QUADRO V6	WE29.0023.01	549
full extension, soft close L-450		

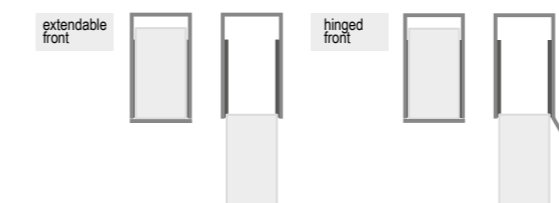



Product characteristics:



Additional information

Cargo extension diagram:

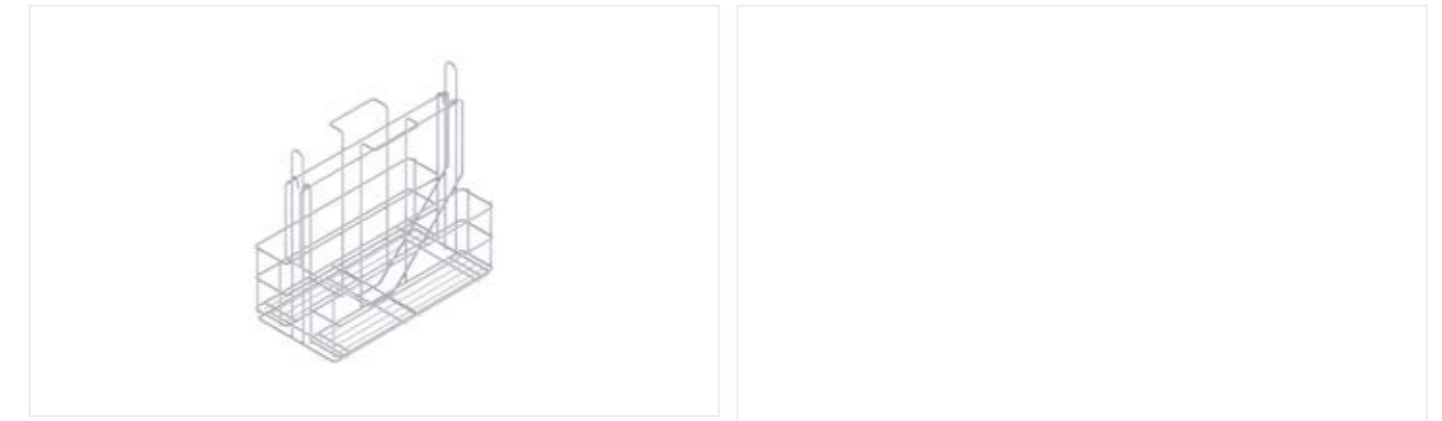


Installation instructions on pg. 53



Basic Components

1 Base basket with removable baskets for cleaning products 300



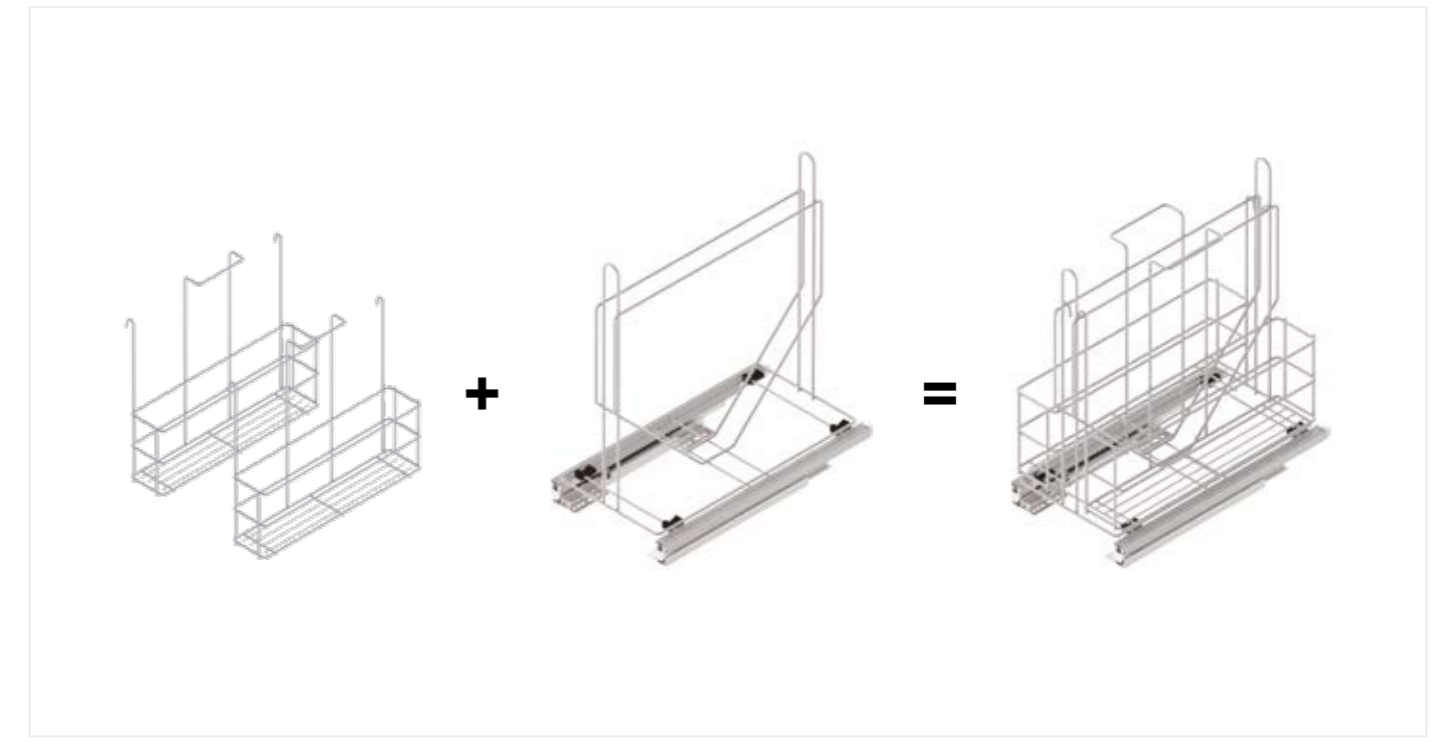


width	index	colour
300	WE29.0140.01	001, 062, 549

2 Base extension system

extension system / runner	index	colour
REJS FULL	WE29.0128.01	549

for cabinets with hinged doors, full extension, soft close L-450

Additional information

Cargo extension diagram: 

Installation instructions on pg. 54

Product characteristics:

- maximum load capacity: **20 kg**
- detachable baskets provides easier access to stored products
- contoured handles allow baskets to be carried with their contents
- quick **tool-free** basket installation - patented Click system
- compatible with **REJS FULL** runner system for hinged doors





Basic Components

Frame + basket + runner system 150-200

Linia Maxima PURO



width	fixing side	index	colour
150*	L	WE35.0012.12	C74
150*	R	WE35.0013.12	C74
200*	L	WE35.0014.12	C74
200*	R	WE35.0015.12	C74

Linia Maxima PURO



width	fixing side	index	colour
150	L	WE35.0012.06	C75
150	R	WE35.0013.06	C75
200	L	WE35.0014.06	C75
200	R	WE35.0015.06	C75

Linia Maxima SILVA



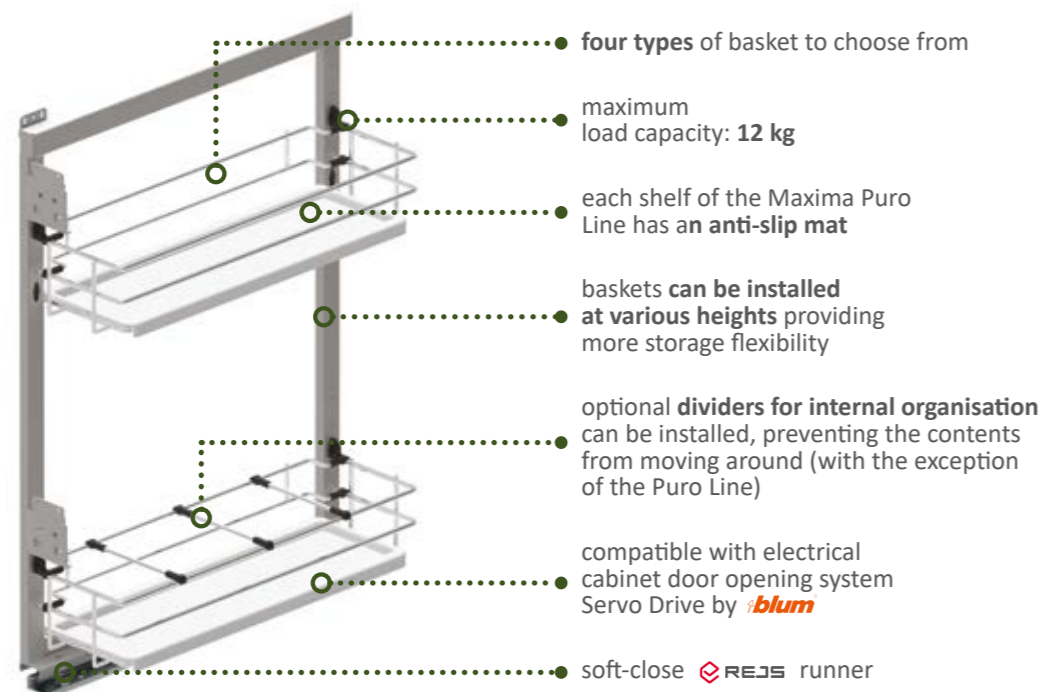
width	fixing side	index	colour
150	L	WE32.0042.43	781
150	R	WE32.0043.43	781
200	L	WE32.0044.43	781
200	R	WE32.0045.43	781

Linia Maxima EVO



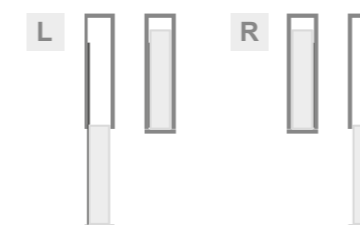
width	fixing side	index	colour
150	L	WE30.0027.08	374
150	R	WE30.0028.08	374
200	L	WE30.0029.08	374
200	R	WE30.0030.08	374

Product characteristics:



Additional information

Cargo extension diagram:



Complementary components on pg. 46-47
Installation instructions on pg. 55

Legend:

L **R** indicates which side of the cabinet corpus the basket is fixed to



Product characteristics:

- 4 types of basket to choose from
- maximum load capacity: 25 kg
- the top and bottom mounted frame provides a firmer structure
- the adjustable height of the frame allows for maximum exploitation of the cabinet height
- each shelf of the Maxima Puro Line has an anti-slip mat
- baskets can be installed at various heights providing more storage flexibility
- optional dividers for internal organisation can be installed, preventing the contents from moving around (with the exception of the Puro Line)
- compatible with electrical cabinet door opening system Servo Drive by **blum**
- additional back guards can be installed to divide shelves (EVO i SILVA) and enable various height configurations (SILVA)
- soft-close runner



Basic Components

Frame + basket + runner system 300-400

Linia **Maxima** PURO



width	index	colour
300*	WE35.0016.12	C74
400*	WE35.0017.12	C74

Linia **Maxima** PURO



width	index	colour
300	WE35.0016.06	C75
400	WE35.0017.06	C75

Linia **Maxima** SILVA



width	index	colour
300	WE32.0046.43	781
400	WE32.0047.43	781

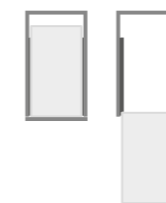
Linia **Maxima** EVO



width	index	colour
300	WE30.0031.08	374
400	WE30.0032.08	374

Additional information

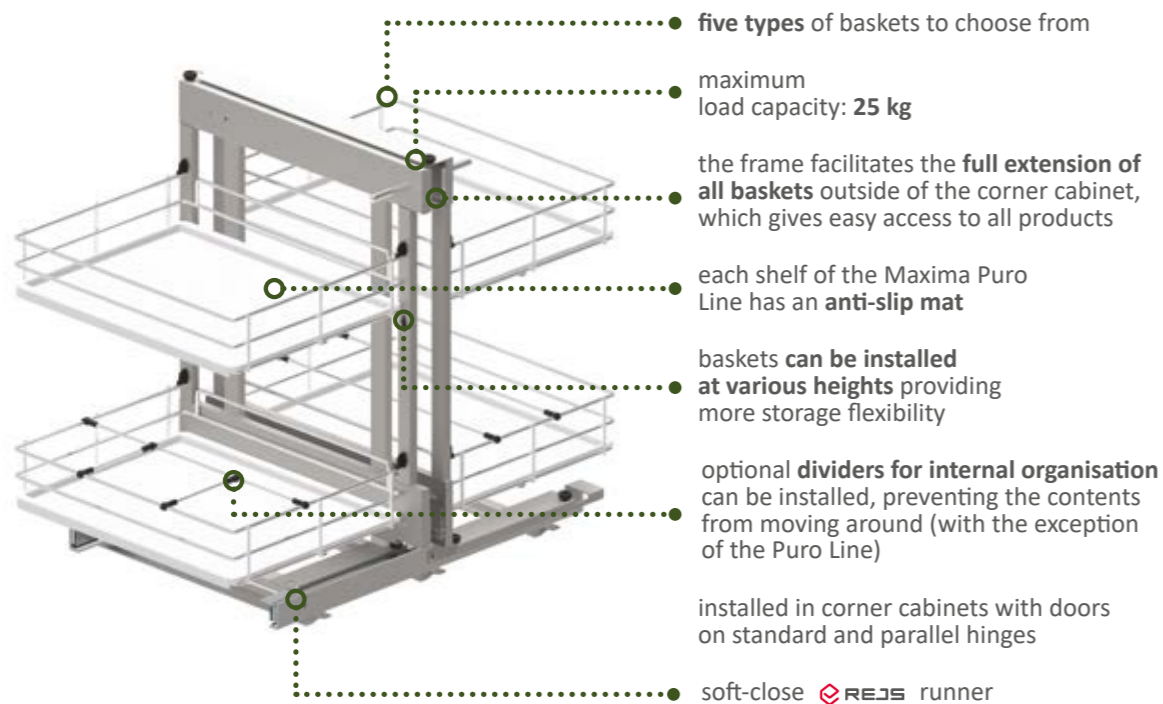
Cargo extension diagram:



Complementary components on pg. 46-47
Installation instructions on pg. 55



Product characteristics:



Basic Components

Frame + basket + runner system 800-1200

Linia Maxima PURO



width	fixing side	index	colour
800	L	WE35.0033.12	C74
800	R	WE35.0034.12	C74
1000	L	WE35.0035.12	C74
1000	R	WE35.0036.12	C74
1200	L	WE35.0037.12	C74
1200	R	WE35.0038.12	C74

Linia Maxima PURO



width	fixing side	index	colour
800	L	WE35.0033.06	C75
800	R	WE35.0034.06	C75
1000	L	WE35.0035.06	C75
1000	R	WE35.0036.06	C75
1200	L	WE35.0037.06	C75
1200	R	WE35.0038.06	C75

Linia Maxima SILVA



width	fixing side	index	colour
800	L	WE32.0001.43	781
800	R	WE32.0002.43	781
1000	L	WE32.0003.43	781
1000	R	WE32.0004.43	781
1200	L	WE32.0005.43	781
1200	R	WE32.0006.43	781

Linia Maxima EVO



width	fixing side	index	colour
800	L	WE30.0001.08	374
800	R	WE30.0002.08	374
1000	L	WE30.0003.08	374
1000	R	WE30.0004.08	374
1200	L	WE30.0005.08	374
1200	R	WE30.0006.08	374

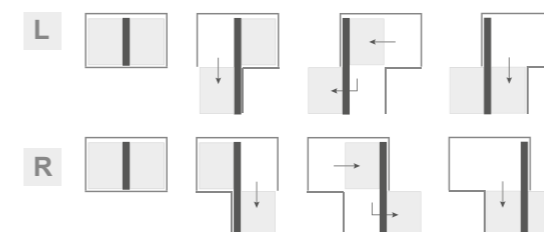
Linia Maxima Classic



width	fixing side	index	colour
800	L	WE31.0001.01	001, 924
800	R	WE31.0002.01	001, 924
1000	L	WE31.0003.01	001, 924
1000	R	WE31.0004.01	001, 924
1200	L	WE31.0005.01	001, 924
1200	R	WE31.0006.01	001, 924

Additional information

Corner extension diagram



Complementary components on pg. 46-47
Installation instructions on pg. 56

Legend:

L R indicates which side of the cabinet corpus the basket is fixed to

COATING CODE: C74 BLACK MATTE/OAK C75 WHITE MATTE/TRANSPARENT 001 CHROME 374 CHROME / WHITE 781 CHROME / GRAPHITE 924 GRAPHITE



Basic Components

Frame + basket + runner system 900

Linia **Maxima SILVA**

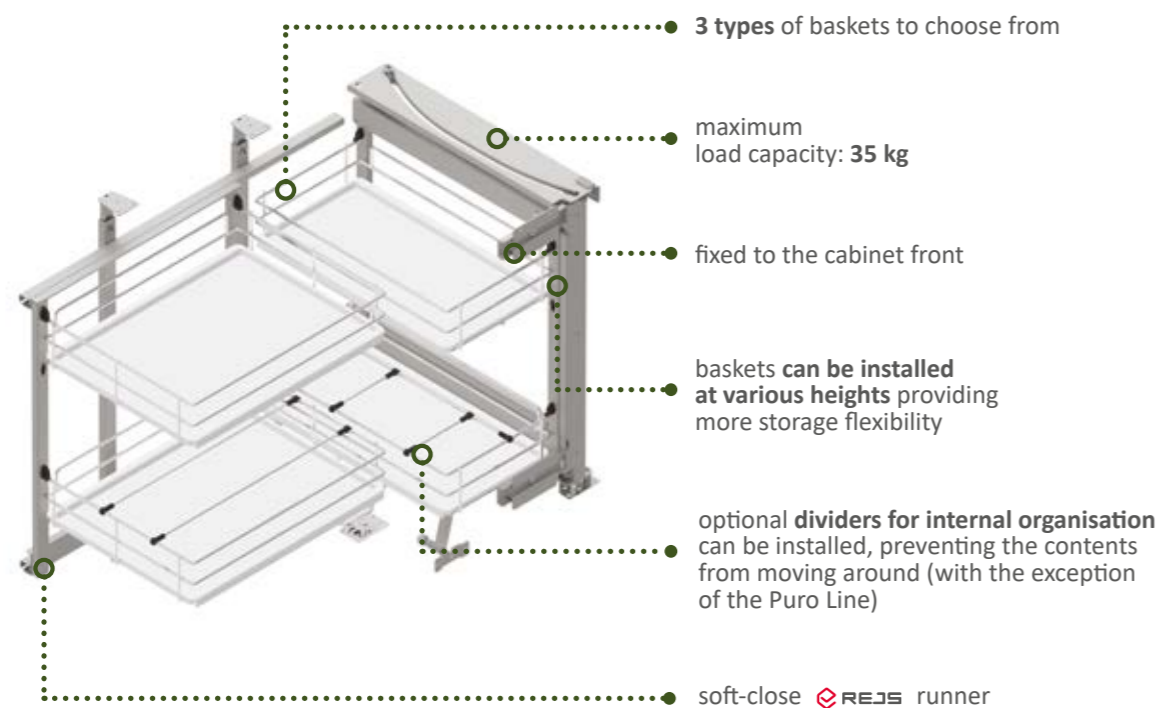
Linia **Maxima EVO**

Linia **Maxima Classic**



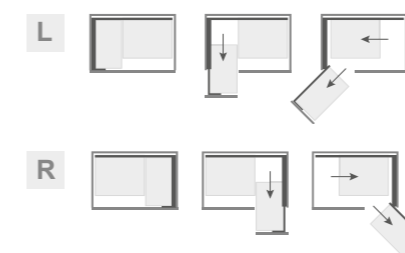
width	fixing side	index	colour	width	fixing side	index	colour	width	fixing side	index	colour
900	L	WE32.0007.43	781	900	L	WE30.0007.08	374	900	L	WE31.0007.01	001
900	R	WE32.0008.43	781	900	R	WE30.0008.08	374	900	R	WE31.0008.01	001

Product characteristics:



Additional information

Corner extension diagram



Complementary components on pg. 46-47
Installation instructions on pg. 57

Legend:

L **R** indicates which side of the cabinet corpus the basket is fixed to

COATING CODE: 001 CHROME 374 CHROME / WHITE 781 CHROME / GRAPHITE



Basic Components

Frame + basket + runner system 800-1000

Linia **Maxima** SILVA



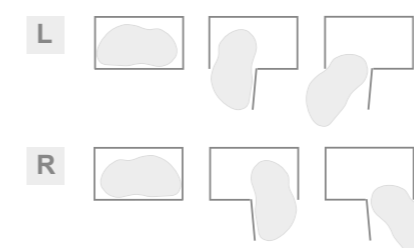
width	fixing side	index	colour
800	L	WE28.2507.43	374, 781
800	R	WE28.2508.43	374, 781
900	L	WE28.2607.43	374, 781
900	R	WE28.2608.43	374, 781
1000	L	WE28.3507.43	374, 781
1000	R	WE28.3508.43	374, 781

Product characteristics:

- shelves are made from **plyboard**, a choice of two colours (white and graphite)
- maximum load capacity per shelf: **15 kg**
- thanks to the irregular oval shape more round shaped items can be stored small or large
- each shelf extends separately
- mounted to the side of the cabinet
- mounted to corner cabinets with doors on standard and parallel hinges
- can be used in both low and high corner cabinets
- equipped with **soft close** ensuring quiet closing and smooth operation of the system

Additional information

Corner extension diagram



Installation instructions on pg. 58

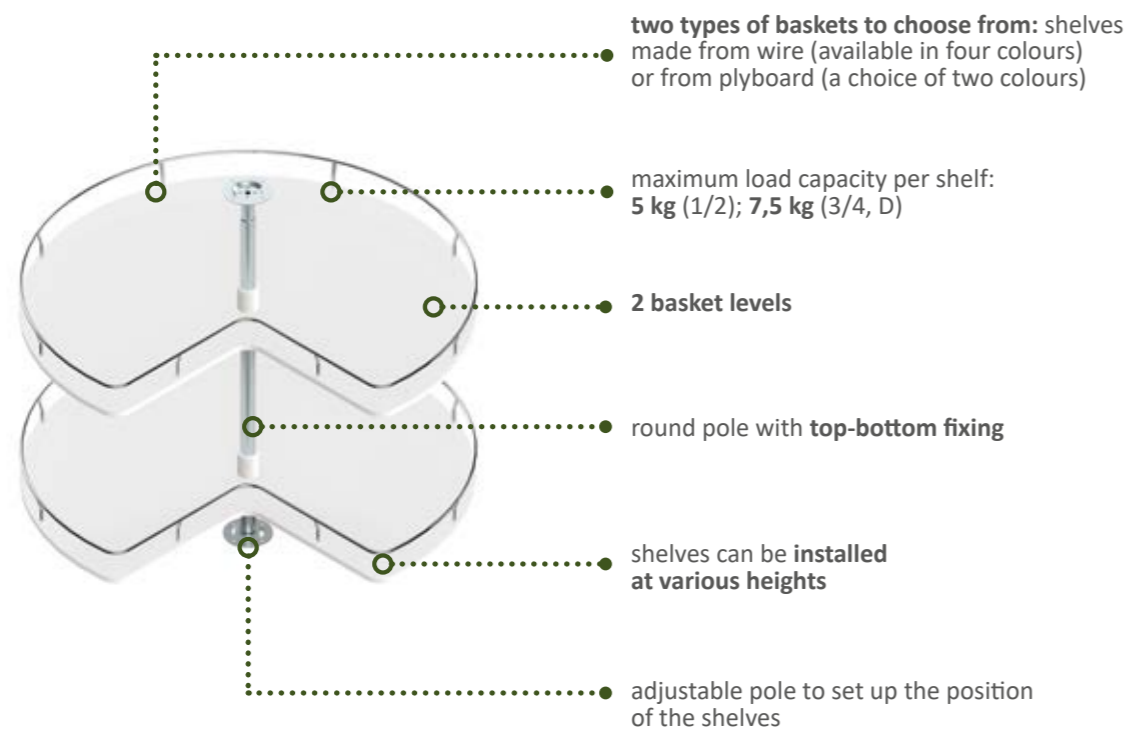
Legend:

L **R** indicates which side of the cabinet corpus the basket is fixed to

COATING CODE: 374 CHROME / WHITE 781 CHROME / GRAPHITE



Product characteristics:



Basic Components

Carousel 510-820

Linia **Maxima** SILVA

Carousel 1/2



type	index	colour
750	WE08.5503.43	374, 781
820	WE08.5504.43	374, 781

Carousel 3/4



type	index	colour
750	WE08.5508.43	374, 781
820	WE08.5505.43	374, 781

Linia **Variant**

Carousel NOVA 1/2



type	index	colour
600	WE08.0101.01	001, 003, 549
690	WE08.0102.01	001, 003, 549
750	WE08.0103.01	001, 003, 549
820	WE08.0104.01	001, 003, 549

Carousel NOVA 3/4



type	index	colour
600	WE08.0106.01	001, 003, 062, 549
690	WE08.0107.01	001, 003, 062, 549
750	WE08.0108.01	001, 003, 062, 549
820	WE08.0105.01	001, 003, 062, 549

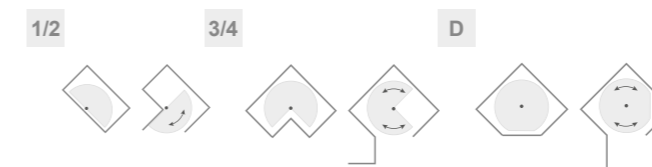
Carousel NOVA D



type	index	colour
510	WE08.0110.01	549
750	WE08.0114.01	549

Additional information

Carousel rotation diagram:



Installation instructions on pg. 59



Basic Components

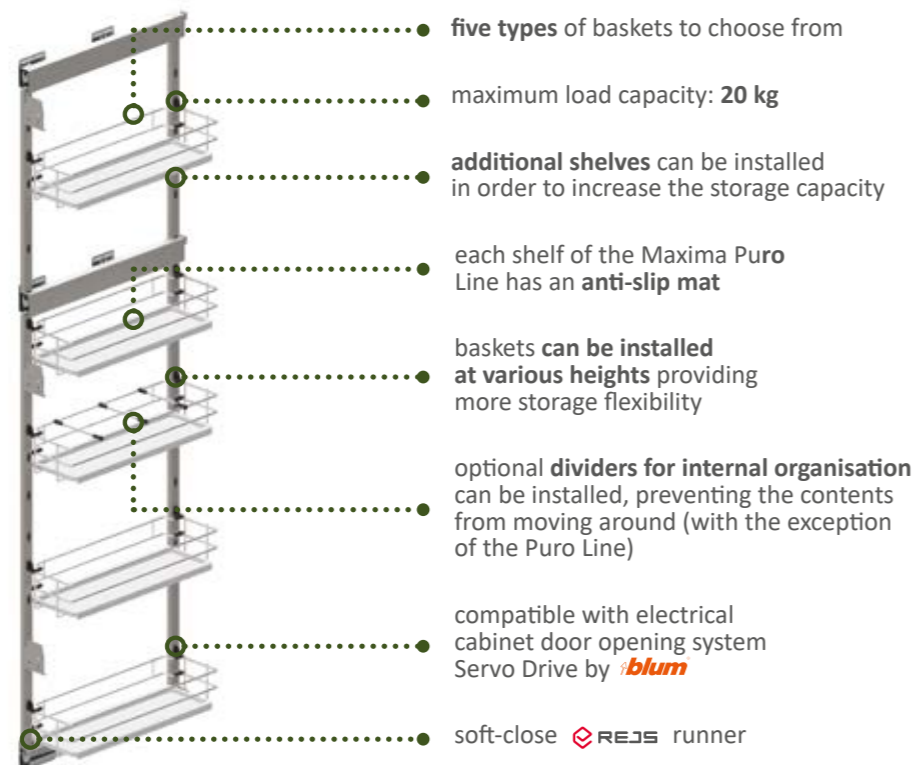
Frame + basket + runner system 150-200



Linia Maxima PURO						Linia Maxima SILVA					
basket type	fixing side	width	number of shelves	index	colour	basket type	fixing side	width	number of shelves	index	colour
Side MAXI	L	150	5	WE35.0022.12	C74	Side MIDI	L	150	4	WE32.0050.43	781
Side MAXI	L	150	5	WE35.0022.06	C75	Side MIDI	R	150	4	WE32.0051.43	781
Side MAXI	R	150	5	WE35.0023.12	C74	Side MIDI	L	200	4	WE32.0052.43	781
Side MAXI	R	150	5	WE35.0023.06	C75	Side MIDI	R	200	4	WE32.0053.43	781
Side MAXI	L	200	5	WE35.0024.12	C74	basket type					
Side MAXI	L	200	5	WE35.0024.06	C75	Side MAXI	L	150	5	WE32.0009.43	781
Side MAXI	R	200	5	WE35.0025.12	C74	Side MAXI	R	150	5	WE32.0010.43	781
Side MAXI	R	200	5	WE35.0025.06	C75	Side MAXI	L	200	5	WE32.0011.43	781
						Side MAXI	R	200	5	WE32.0012.43	781

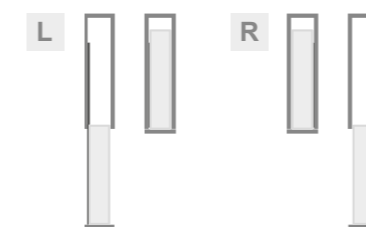
Linia Maxima EVO						Linia Maxima Classic					
basket type	fixing side	width	number of shelves	index	colour	basket type	fixing side	width	number of shelves	index	colour
Side MIDI	L	150	4	WE30.0038.08	374	Side MIDI	L	150	4	WE31.0058.01	001
Side MIDI	R	150	4	WE30.0039.08	374	Side MIDI	R	150	4	WE31.0059.01	001
Side MIDI	L	200	4	WE30.0040.08	374	Side MIDI	L	200	4	WE31.0060.01	001
Side MIDI	R	200	4	WE30.0041.08	374	Side MIDI	R	200	4	WE31.0061.01	001
basket type						Side MAXI	L	150	5	WE31.0054.01	001
Side MAXI	L	150	5	WE27.5337.08	374	Side MAXI	R	150	5	WE31.0055.01	001
Side MAXI	R	150	5	WE27.5338.08	374	Side MAXI	L	200	5	WE31.0056.01	001
Side MAXI	L	200	5	WE27.5339.08	374	Side MAXI	R	200	5	WE31.0057.01	001
Side MAXI	R	200	5	WE27.5340.08	374						

Product characteristics:



Additional information

Cargo extension diagram:



Complementary components on pg. 46-47
Installation instructions on pg. 60

Legend:

L **R** indicates which side of the cabinet corpus the basket is fixed to



Product characteristics:

- 5 types of baskets to choose from
- maximum load capacity: depends upon the chosen runner
(REJS - 100 kg, FULTERER 120 kg, FULTERER rotating runner 100 kg)
- additional shelves can be installed in order to increase the storage capacity
- each shelf of the Maxima Puro Line has an anti-slip mat
- optional dividers for internal organisation can be installed, preventing the contents from moving around (with the exception of the Puro Line)
- additional back guards can be installed to divide shelves (EVO i SILVA) and enable various height configurations (SILVA)
- frame height regulation allows for optimal exploitation of the height of the cabinet
- baskets can be installed at various heights providing more storage flexibility
- compatible with electrical cabinet door opening system Servo Drive by **blum**
- compatible with well-known soft-close runners:

REJS **Fulterer**

Basic Components

1 Frame + basket 300-600 + set for divided fronts*



Linia Maxima PURO						Linia Maxima SILVA					
basket type	height with sys. Rejs, Fulterer	width	number of shelves	index	colour	basket type	height with sys. Rejs, Fulterer	width	number of shelves	index	colour
MAXI	1700-1900	300	5	WE35.0028.12	C74	MIDI	1200-1400	300	4	WE32.0027.43	781
MAXI	1700-1900	300	5	WE35.0028.06	C75	MIDI	1200-1400	400	4	WE32.0028.43	781
MAXI	1700-1900	400	5	WE35.0029.12	C74	MAXI	1700-1900	300	5	WE32.0031.43	781
MAXI	1700-1900	400	5	WE35.0029.06	C75	MAXI	1700-1900	400	5	WE32.0032.43	781
MAXI	1900-2100	300	6	WE35.0030.12	C74	MAXI	1900-2100	300	6	WE32.0035.43	781
MAXI	1900-2100	300	6	WE35.0030.06	C75	MAXI	1900-2100	400	6	WE32.0036.43	781
MAXI	1900-2100	400	6	WE35.0031.12	C74						
MAXI	1900-2100	400	6	WE35.0031.06	C75						

Linia Maxima EVO						Linia Maxima Classic					
basket type	height with sys. Rejs, Fulterer	width	number of shelves	index	colour	basket type	height with sys. Rejs, Fulterer	width	number of shelves	index	colour
MIDI	1200-1400	300	4	WE27.5701.08	374	MIDI	1200-1400	300	4	WE31.0009.01	001, 549
MIDI	1200-1400	400	4	WE27.5702.08	374	MIDI	1200-1400	400	4	WE31.0010.01	001, 549
MAXI	1700-1900	300	5	WE27.5801.08	374	MIDI	1200-1400	500	4	WE31.0011.01	001, 549
MAXI	1700-1900	400	5	WE27.5802.08	374	MIDI	1200-1400	600	4	WE31.0012.01	001, 549
MAXI	1900-2100	300	6	WE27.5805.08	374	MAXI	1700-1900	300	5	WE31.0017.01	001, 549
MAXI	1900-2100	400	6	WE27.5806.08	374	MAXI	1700-1900	400	5	WE31.0018.01	001, 549
						MAXI	1700-1900	500	5	WE31.0019.01	001, 549
						MAXI	1700-1900	600	5	WE31.0020.01	001, 549
						MAXI	1900-2100	300	6	WE31.0021.01	001, 549
						MAXI	1900-2100	400	6	WE31.0022.01	001, 549
						MAXI	1900-2100	500	6	WE31.0023.01	001, 549
						MAXI	1900-2100	600	6	WE31.0024.01	001, 549

2 Extension system

type / max. load	index	colour	type / max. load	index	colour	type / max. load	index	colour
REJS / 100**	WE28.2803.01	549, 924	FULTERER / 120	WE28.2801.01	549, 924	FULTERER / 100	WE28.2802.01	549, 924
				WE35.0032.01	A18, 331			
ball-bearing runner with soft close, load bearing: 100kg			differential runner with soft-close, load bearing 120 kg			differential rotating runner with soft-close, load bearing: 100 kg		

Additional information

Cargo extension diagram:

Complementary components on pg. 46-47
Installation instructions on pg. 61

Legend:
* set for divided fronts is not included with cargo MIDI
** system is compatible with cargo widths 300 and 400 mm

How to order?
1. Choose the frame and baskets.
2. Select the extension system.
3. Complete with complementary products.





COATING CODE: A18 BLACK MATTE C74 BLACK MATTE/OAK C75 WHITE MATTE/TRANSPARENT 001 CHROME 331 WHITE MAT 374 CHROME / WHITE 549 SILVER DS 781 CHROME / GRAPHITE 924 GRAPHITE

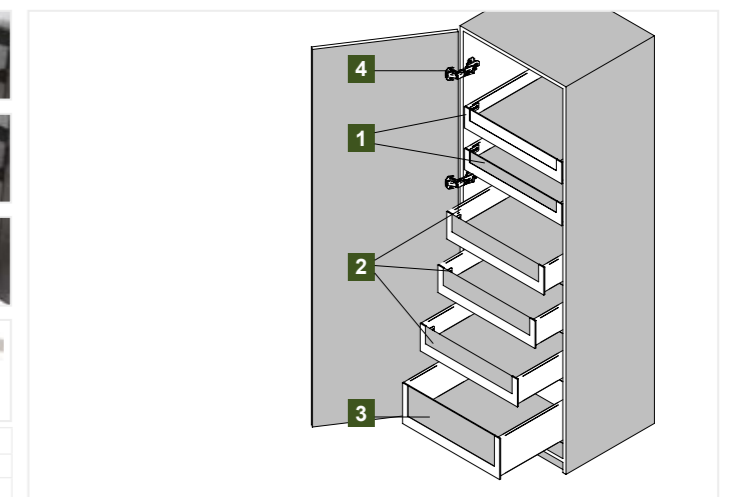


Basic components - recommended configuration



- any configuration, consisting of internal Slim Box drawers
- maximum load capacity per drawer 40 kg
- easy access to contents
- available drawer heights: H=89, H=121, H=185
- slim sides 13,4 mm
- straight sides internally and externally
- full extension runner with soft-close
- drawers available in black, graphite and white
- a choice of metal or glass front
- tool-free front installation
- runners with depths of 300-550 mm
- internal organizers can be added keeping it's contents in order

1	Slim Box H=89 information regarding ordering in the <i>Drawer and runner</i> section.	
2	Slim Box H=121 information regarding ordering in the <i>Drawer and runner</i> section.	
3	Slim Box H=185 information regarding ordering in the <i>Drawer and runner</i> section.	
4	Hinges Soft Close Hinges for doors with a wide opening angle 155° More information in the <i>Hinges and lifts</i> section.	
	type	index
	with mounting plate H=0 with excentric screw regulation	TJ01.7111.01.064
	with mounting plate H=2 with excentric screw regulation	TJ01.7119.01.064



Complementary components in the *Drawer and runners* section.
Installation instructions on pg. 62



Single shelf dish drainer

min. width cabinet corpus	index	colour
400	WE06.4623.01	001, 062
450	WE06.4624.01	001, 062
500	WE06.4625.01	001, 062
600	WE06.4626.01	001, 062
700	WE06.4651.01	001, 062
800	WE06.4627.01	001, 062
900	WE06.4628.01	001, 062

* suitable for cabinet walls of 16/18 mm • lower frame depth adjustment • 72H*



Variant 1 dish drainer

min. width cabinet corpus	index	colour
400	WE06.0823.01	010
450	WE06.0824.01	010
500	WE06.0825.01	010
600	WE06.0826.01	010
700	WE06.0851.01	010
800	WE06.0827.01	010
900	WE06.0828.01	010

* suitable for cabinet walls of 16/18 mm • lower frame depth adjustment and the lower frame is compatible with HDF cabinet backs • 72H*



Variant 3 dish drainer

min. width cabinet corpus	index	colour
400	WE06.1123.01	001, 062
450	WE06.1124.01	001, 062
500	WE06.1125.01	001, 062
600	WE06.1126.01	001, 062
700	WE06.1151.01	001, 062
800	WE06.1127.01	001, 062
900	WE06.1128.01	001, 062

* suitable for cabinet walls of 16/18 mm • lower frame depth adjustment and the lower frame is compatible with HDF cabinet backs • 72H*



Standard 1 dish drainer

min. width cabinet corpus	index	colour
400	WE06.0423.01	010
450	WE06.0424.01	010
500	WE06.0425.01	010
600	WE06.0426.01	010
700	WE06.0451.01	010
800	WE06.0427.01	010
900	WE06.0428.01	010

* suitable for cabinet walls of 16/18 mm • 72H*



Standard 3 dish drainer

min. width cabinet corpus	index	colour
400	WE06.0723.01	001, 062
450	WE06.0724.01	001, 062
500	WE06.0725.01	001, 062
600	WE06.0726.01	001, 062
700	WE06.0751.01	001, 062
800	WE06.0727.01	001, 062
900	WE06.0728.01	001, 062

* suitable for cabinet walls of 16/18 mm • 72H*



Prima dish drainer

min. width cabinet corpus	index	colour
500	TE06.2101.03	012
600	TE06.2102.03	012
700	TE06.2119.03	012
800	TE06.2103.03	012
900	TE06.2104.03	012
1000	TE06.2137.03	012

* suitable for cabinet walls of 16/18 mm • width adjustment approximately 30 mm
* made from stainless steel • 72H*



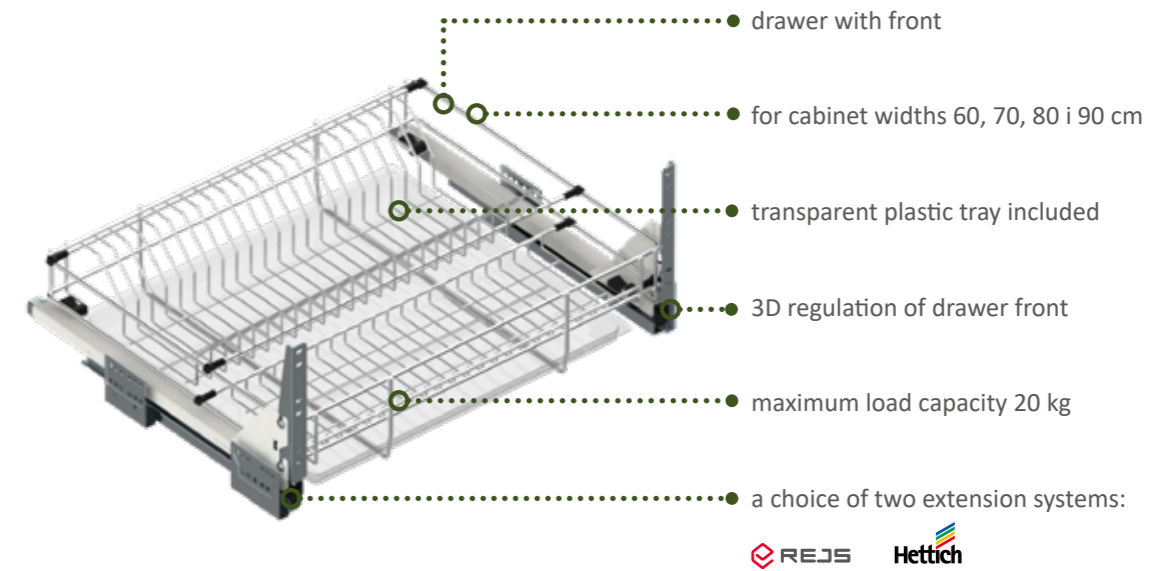
Complementary components on pg. 47
Installation instructions on pg. 63-64

* tests have been conducted in a salt chamber (test 72hr) no signs of corrosion were identified

COATING CODE: 001 CHROME 010 FLUID WHITE 012 INOX (STAINLESS STEEL) 062 ZINC WHITE



Basic Components



1 Plate rack basket for drawers with front 600-900



width	index	colour
600	WE29.0631.01	001
700	WE29.0632.01	001
800	WE29.0633.01	001
900	WE29.0634.01	001



1 + 2

2 Extension system L-450

REJS			Hettich			Hettich		
extension system	index	colour	extension system	index	colour	cover plate	index	colour
REJS FULL	WE29.0635.01	549	HETTICH QUADRO V6	WE29.0023.01	549	HETTICH QUADRO V6	WE29.0636.01	549

Variant MULTI Line complementary products

Shelf			Complete divider			Divider set cut-to measure		
rod Ø5 + set of connectors			cut to width KB - 90 mm length - 400 mm					
width	index	colour	width	index	colour	components	index	colour
150	WE03.6619.01	001, 003, 062, 549	150	WE03.8661.08	052	rod Ø5 L=1100	WE03.7177.01	001
200	WE03.6719.01	001, 003, 062, 549	200	WE03.8662.08	052	connectors Ø5	2 x WE03.7178.05	061

Maxima Line complementary products

Drawers for Corner Comfort 800-1200

Linia Maxima PURO			Linia Maxima Classic			Linia Maxima EVO			Linia Maxima SILVA		
width	index	colour	width	index	colour	width	index	colour	width	index	colour
800	WE35.0045.12	C74*	800	WE31.0027.01	001*	800	WE30.0044.08	374*	800	WE32.0039.43	781*
800	WE35.0045.06	C75*	1000	WE31.0028.01	001*	1000	WE30.0045.08	374*	1000	WE32.0040.43	781*
1000	WE35.0046.12	C74*	1200	WE31.0029.01	001*	1200	WE30.0037.08	374*	1200	WE32.0041.43	781*
1000	WE35.0046.06	C75*									
1200	WE35.0047.12	C74*									
1200	WE35.0047.06	C75*									

Drawers for side cargo mini / midi / maxi 150-200

Linia Maxima PURO			Linia Maxima Classic			Linia Maxima EVO			Linia Maxima SILVA		
width	index	colour	width	index	colour	width	index	colour	width	index	colour
150	WE35.0041.12	C74*	150	WE31.0062.01	001*	150	WE27.5500.01	374*	150	WE32.0017.01	781*
150	WE35.0041.06	C75*	200	WE31.0063.01	001*	200	WE27.5600.01	374*	200	WE32.0018.01	781*
200	WE35.0042.12	C74*									
200	WE35.0042.06	C75*									

Drawers for base cargo mini / midi / maxi 300-600

Linia Maxima PURO			Linia Maxima Classic			Linia Maxima EVO			Linia Maxima SILVA		
width	index	colour	width	index	colour	width	index	colour	width	index	colour
300	WE35.0043.12	C74*	300	WE31.0013.01	001*, 549*	300	WE30.0013.08	374*	300	WE32.0023.01	781*
300	WE35.0043.06	C75*	400	WE31.0014.01	001*, 549*	400	WE30.0014.08	374*	400	WE32.0024.01	781*
400	WE35.0044.12	C74*	500	WE31.0015.01	001*, 549*						
400	WE35.0044.06	C75*	600	WE31.0016.01	001*, 549*						

* products available on order only

COATING CODE: C74 BLACK MATTE/OAK C75 WHITE MATTE/TRANSPARENT 001 CHROME 003 WHITE 052 CHROME / BLACK 061 BLACK 062 ZINC 374 CHROME / WHITE 549 SILVER DS 781 CHROME / GRAPHITE

Complementary components Linia Maxima

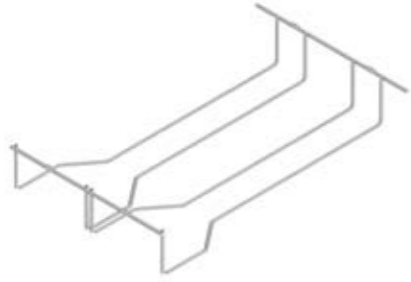
Divider set cut-to measure			Back guards for baskets		Bracket	
<ul style="list-style-type: none"> side, base cargo mini side, base side cargo midi/maxi 			<ul style="list-style-type: none"> base cargo mini base cargo midi / maxi 		<ul style="list-style-type: none"> base cargo mini base cargo midi / maxi 	
cut-to-measure			index		colour	
components			index		colour	
rod Ø6 L=1100			WE03.2886.01		001	
connectors Ø6			2x WE03.2887.05		061	
			WE28.3203.01		001	
			index		colour	
			WE28.2901.01		549, 924	
Connector for divided fronts			Electrical opening activator			
<ul style="list-style-type: none"> base cargo mini base cargo midi / maxi 			<ul style="list-style-type: none"> side cargo mini / maxi base cargo midi / maxi 			
dimensions			index		colour	
176 x 20 x 3			WE28.3304.01		098, 549, 689, 924	
			index		colour	
			WE28.3002.01		549, 924	
			index		colour	
			WE28.3101.01		549, 924	

Complementary products for dish drainers

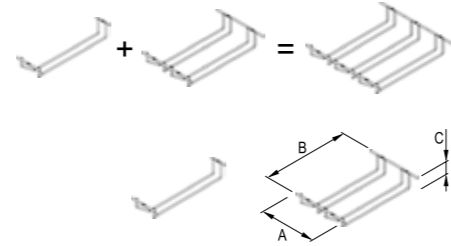
Tray		
width	index	colour
400	TE06.0107.05	013, 081
450	TE06.0105.05	013, 081
500	TE06.0101.05	013, 081
600	TE06.0102.05	013, 081
700	TE06.0119.05	013, 081
800	TE06.0103.05	013, 081
900	TE06.0104.05	013, 081

COATING CODE: 001 CHROME 013 WHITE 061 BLACK 081 TRANSPARENT 098 WHITE 549 SILVER DS 689 BLACK 924 GRAPHITE

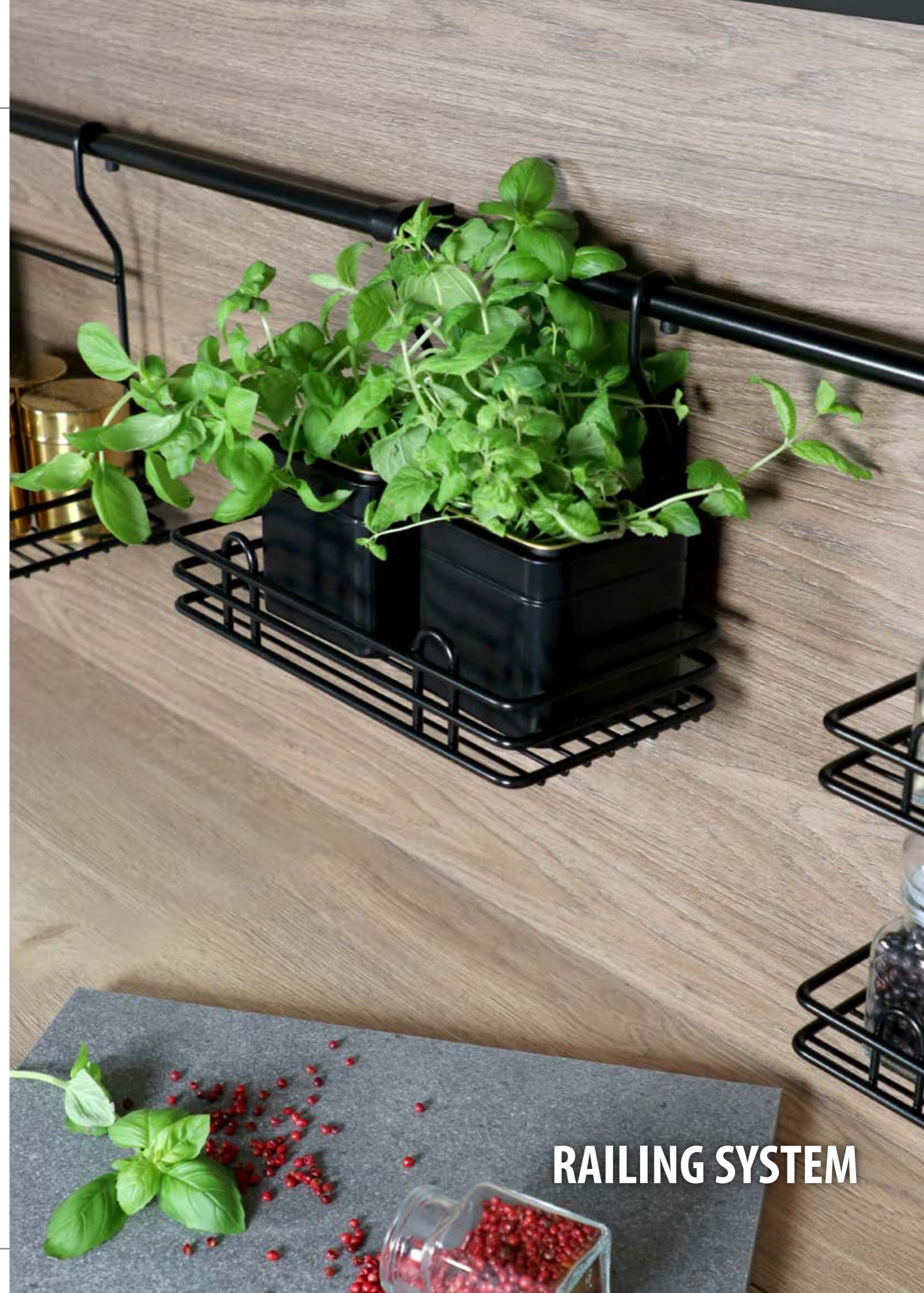
Wine glass rack



• possible module configurations

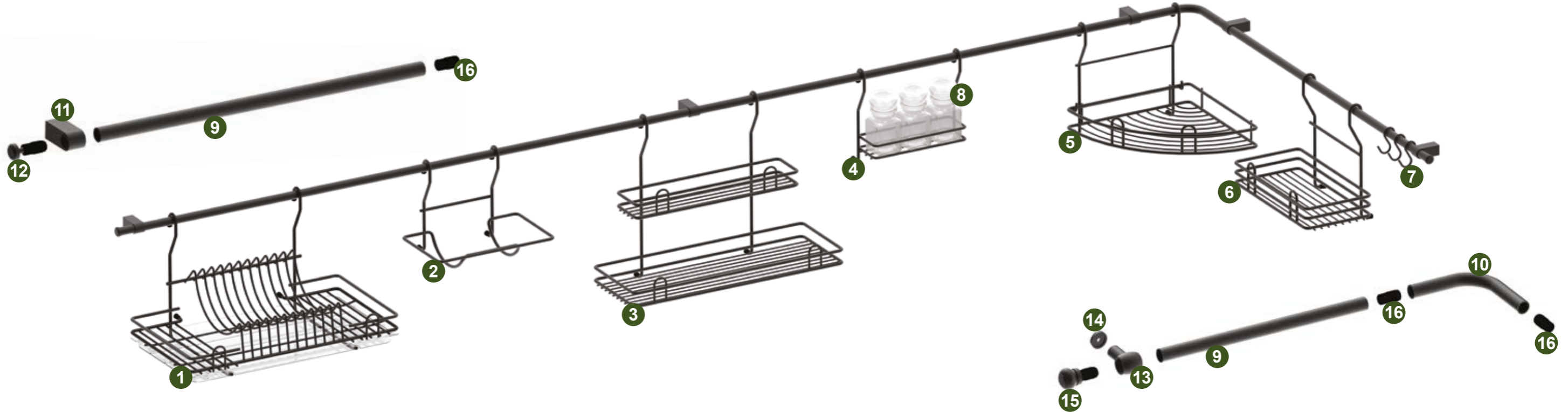


type	A x B x C	index	colour
1-row	105 x 334 x 57	WE16.0001.01	001
2-row	215 x 334 x 57	WE16.0002.01	001



RAILING SYSTEM

COATING CODE: 001 CHROME



1 Hanging dish drainer **2** Hanging basket for kitchen roll **3** Hanging basket large double

index WE04.0015.01 colour 001*, 799

index WE04.0007.01 colour 001*, 799

index WE04.0018.01 colour 001*, 799

4 Hanging basket for spices **5** Hanging basket corner **6** Hanging basket small single

index WE04.0013.01 colour 001*, 799

index WE04.0010.01 colour 001*, 799

index WE04.0022.01 colour 001*, 799

7 Railing hook **8** Set of 3 spice jars

index TE04.0008.01 colour 001*
WE04.0028.01 colour 799

index WE04.0082.15 colour 081

9 Rail **10** Corner rail 90° **11** Rail support bracket straight

L index colour
1000 WE07.0002.01 001*
1000 WE07.0086.01 799
3000 WE07.0003.01 001*

index WE07.0010.01 colour 001*, 799

index TE07.0004.14 colour 001*, 799

12 Rail end cap straight **13** Rail support bracket retro **14** Handle pad retro

index TE07.0006.14 colour 001*, 799

index TE07.0005.14 colour 001*, 799

index TE07.0008.14 colour 001*
WE07.0001.01 colour 799

15 Rail end cap retro **16** Rail connector

index TE07.0007.14 colour 001*, 799

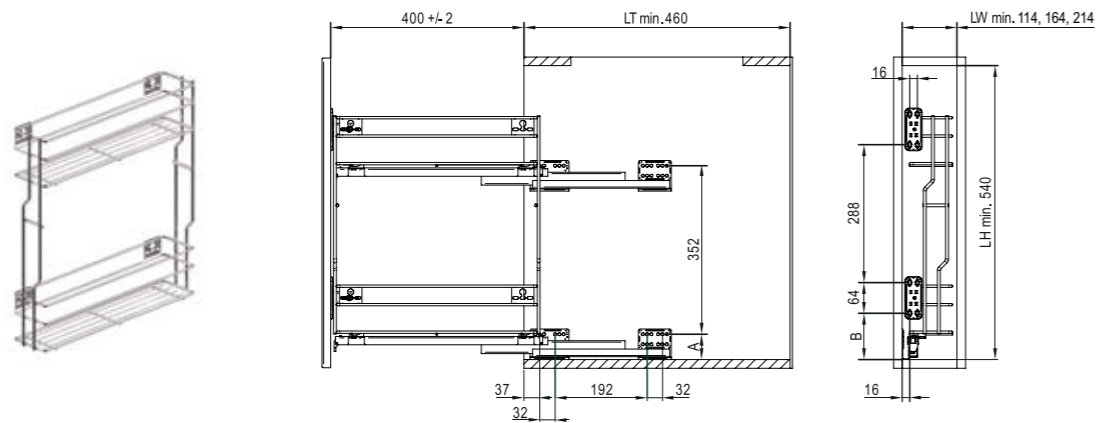
index TE07.0010.05 colour 061

* products available on order only
COATING CODE: 001 CHROME 081 TRANSPARENT 799 BLACK

* products available on order only
COATING CODE: 001 CHROME 061 BLACK 799 BLACK

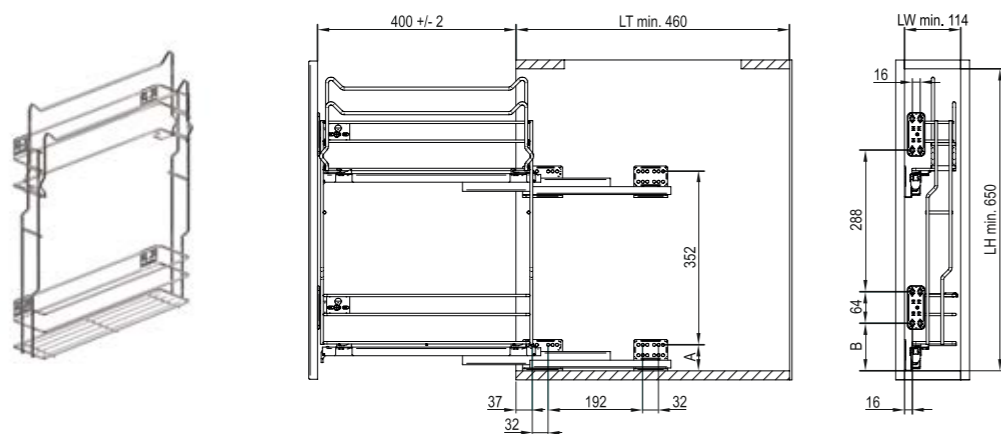
Runner installation diagram

Side basket 150-250



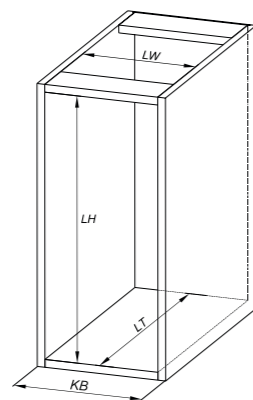
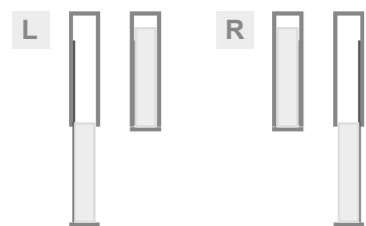
Extension system	A	B
Rejs FULL	56	97
Hettich	37	78

Side basket for towels 150



Extension system	A	B
Rejs FULL	56	97
Hettich	37	78

Cargo extension diagram:

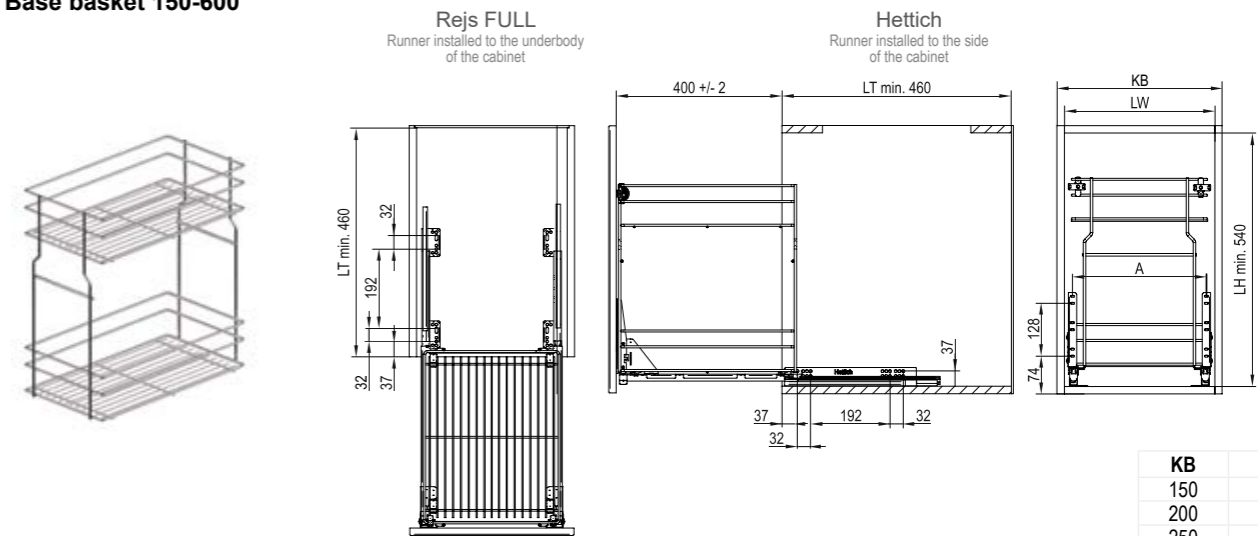


KB - outer width of the cabinet corpus
LW - inner width of the cabinet corpus
LT - inner depth of the cabinet corpus
LH - inner height of the cabinet corpus

L R indicates which side of the cabinet corpus the basket is fixed to

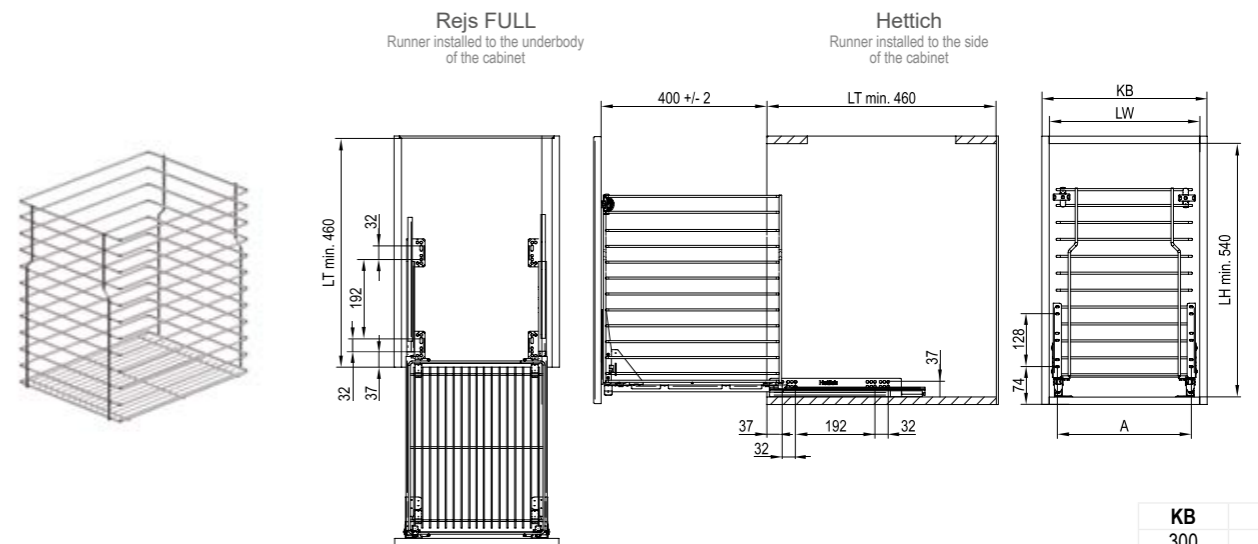
Runner installation diagram

Base basket 150-600



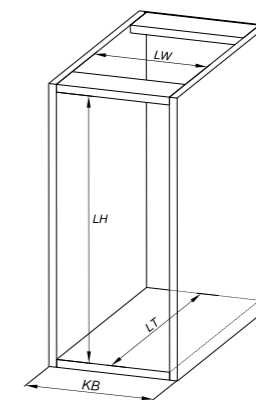
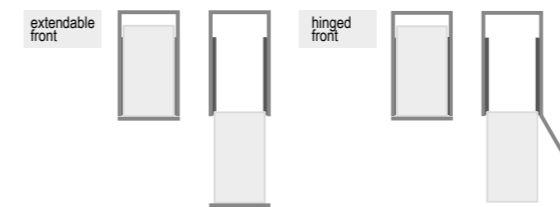
KB	A
150	80
200	128
250	174
300	224
400	324
500	424
600	524

Single base basket 300-600



KB	A
300	224
400	324
500	424
600	524

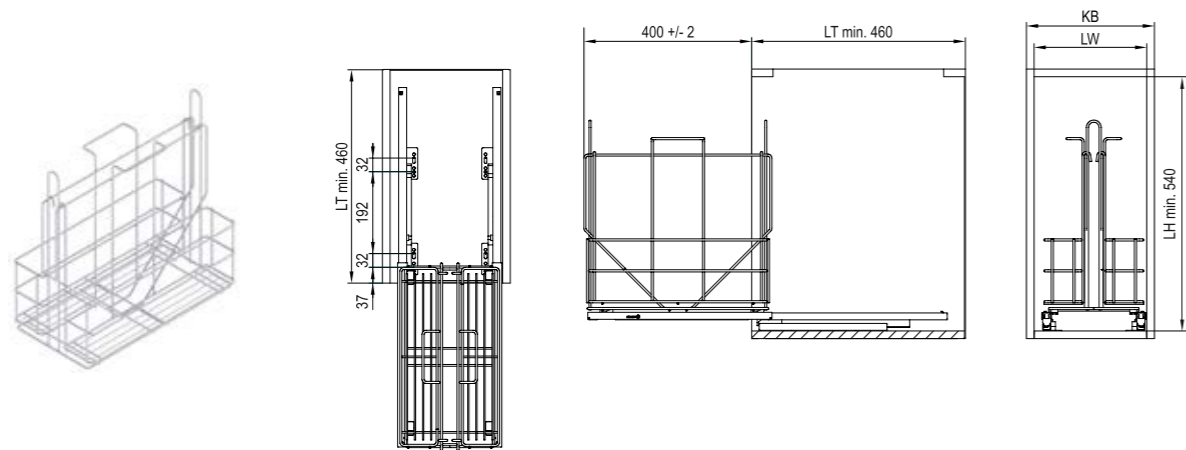
Cargo extension diagram:



KB - outer width of the cabinet corpus
LW - inner width of the cabinet corpus
LT - inner depth of the cabinet corpus
LH - inner height of the cabinet corpus

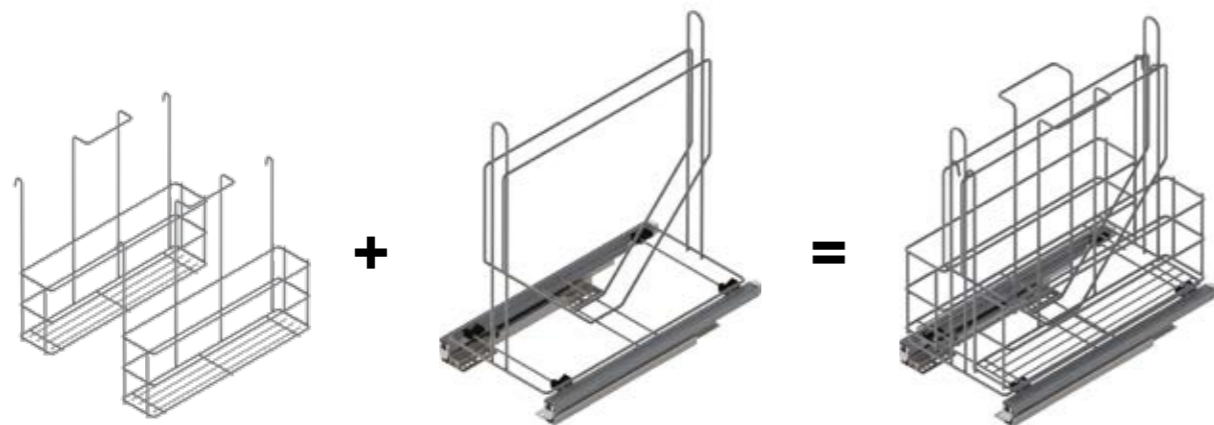
Runner installation diagram

Removeable base basket for cleaning products 300

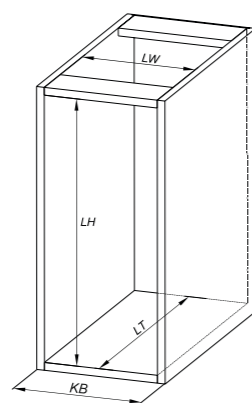
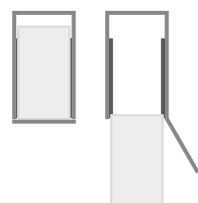


KB	LW
300	264

Components

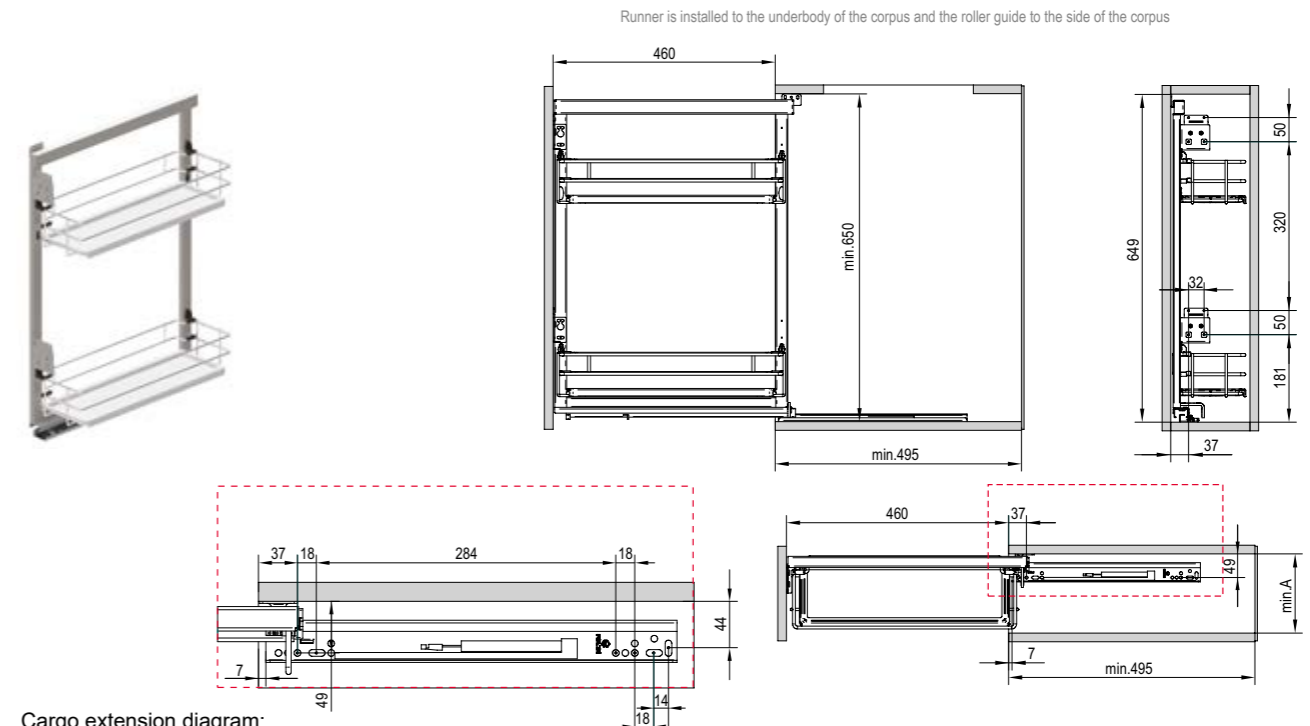


Cargo extension diagram:

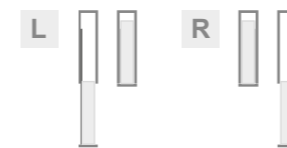


KB - outer width of the cabinet corpus
LW - inner width of the cabinet corpus
LT - inner depth of the cabinet corpus
LH - inner height of the cabinet corpus

Maxima PURO, SILVA, EVO lines mini side cargo cabinet measurements



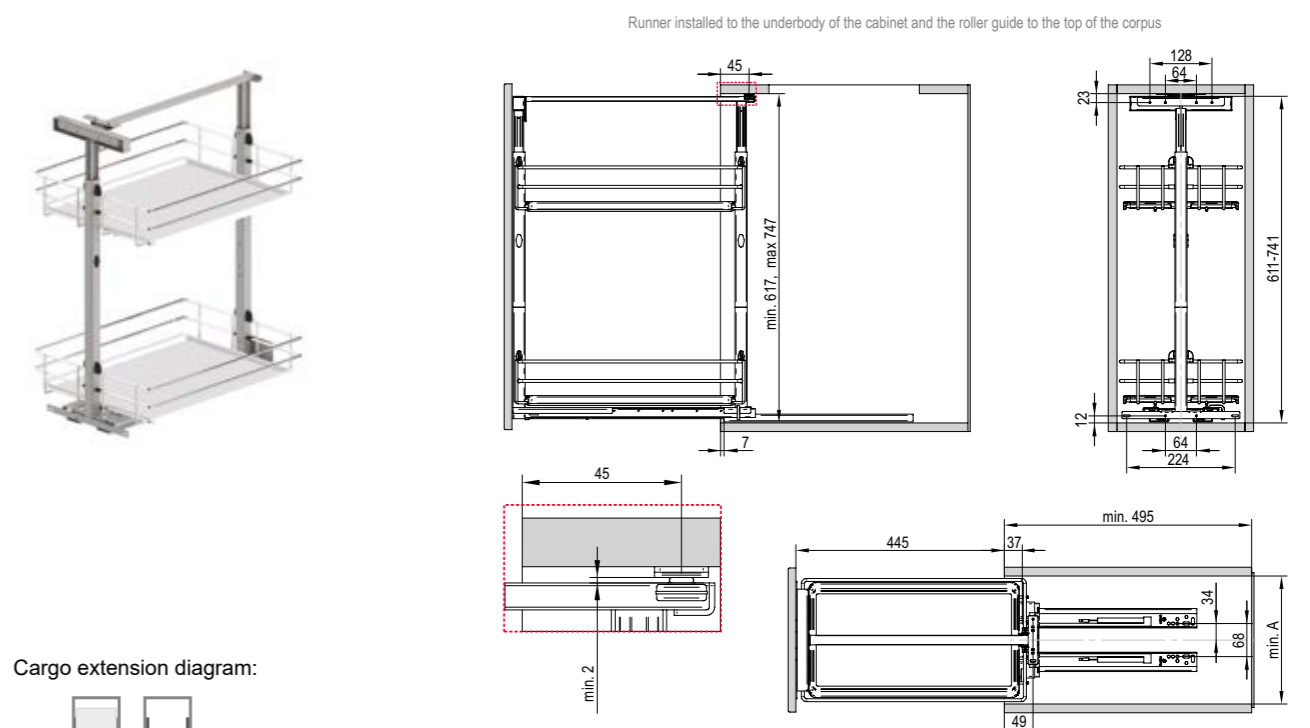
Cargo extension diagram:



L R indicates which side of the cabinet corpus the basket is fixed to

cargo type	A
150	min. 114
200	min. 164

Maxima PURO, SILVA, EVO lines mini base cargo cabinet measurements



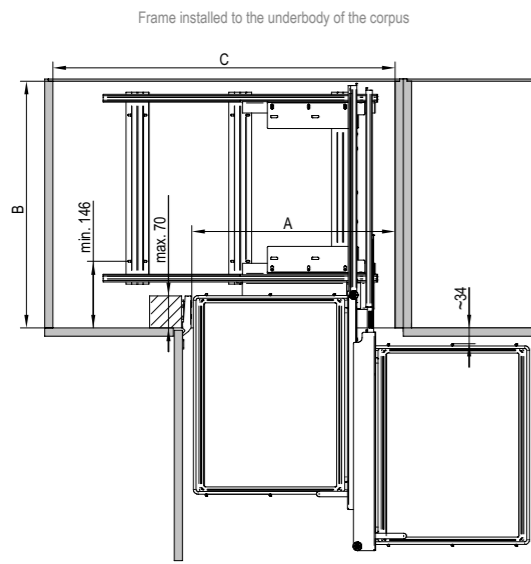
Cargo extension diagram:



cargo type	A
300	min. 264
400	min. 364

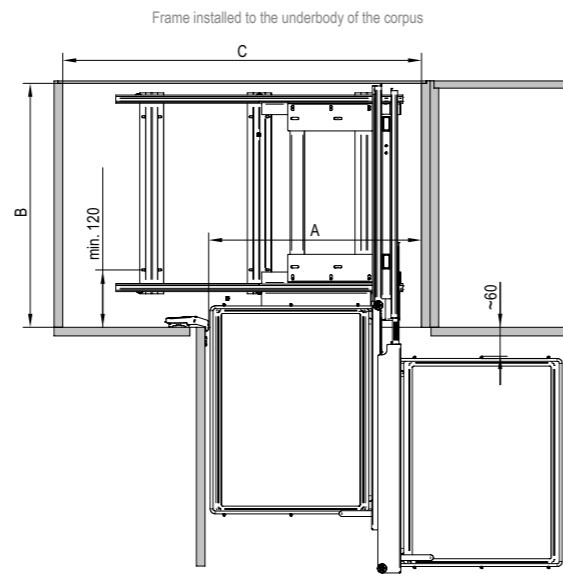
Technical details and installation method

With reinforcing post for standard hinges

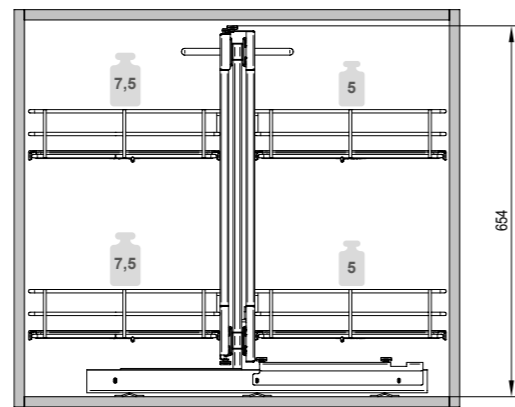


meas.	type of corner		
	800	1000	1200
min. A	370 / 410*	445	520
min. B	540	540	540
min. C	664	750	950

Without reinforcing post for parallel hinges

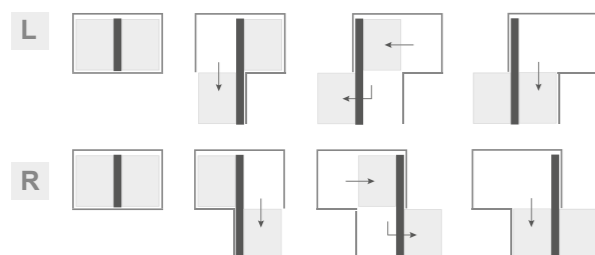


meas.	type of corner		
	800	1000	1200
min. A	370 / 410*	445	520
min. B	510	510	510
min. C	664	750	950



drawing depicts the right-hand side Corner Comfort

Corner extension diagram:

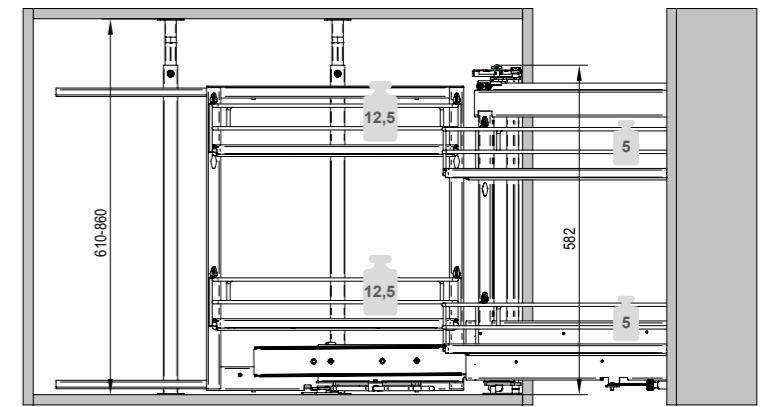
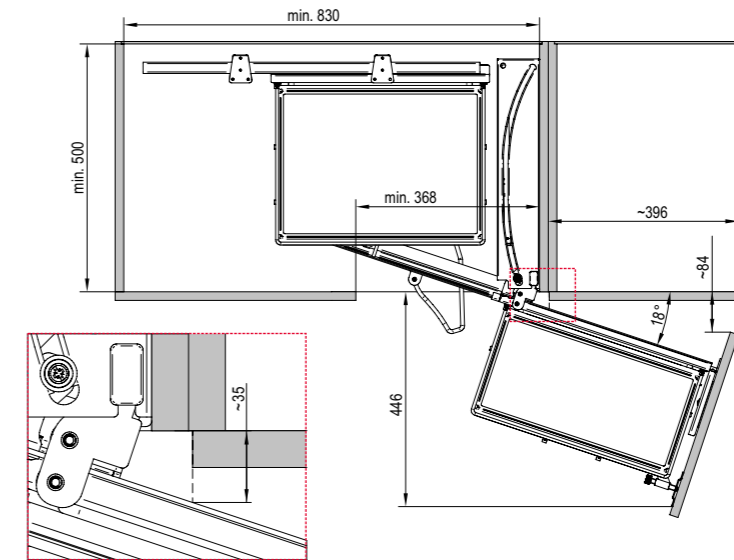


* applies to the Maxima EVO Line Corner

kg maximum load capacity per shelf in kg
L R the side which the corner is fixed to the cabinet corpus

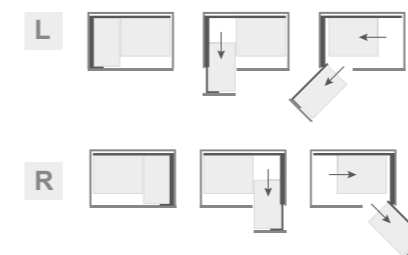
Technical details and installation method

Frame is installed to the underbody of the corpus



drawing depicts right-hand side Corner Front

Corner extension diagram:

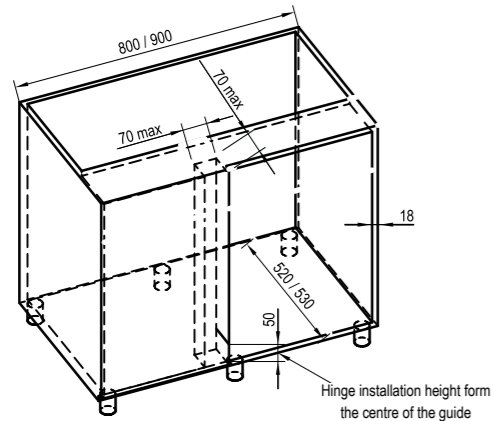


kg maximum load capacity per shelf in kg
L R the side which the corner is fixed to the cabinet corpus

Technical details and installation method

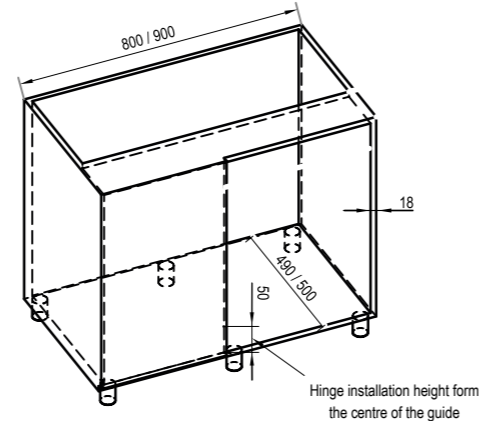
With reinforcing post for standard hinges

Corner Optima 800 / 900

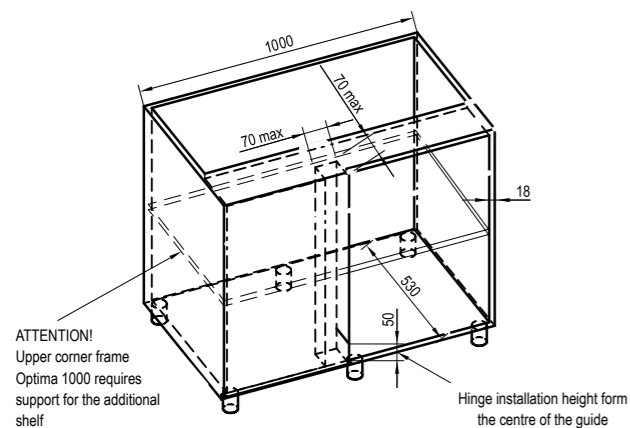


Without reinforcing post for parallel hinges

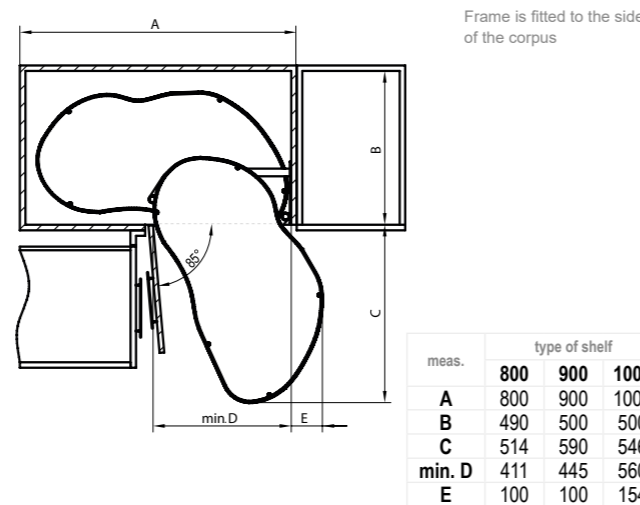
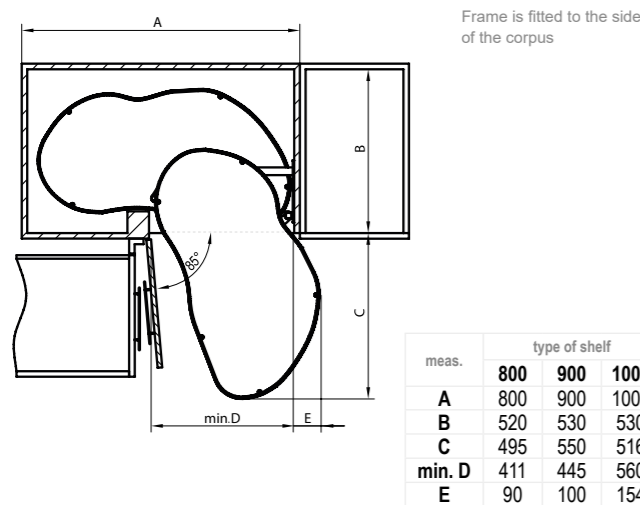
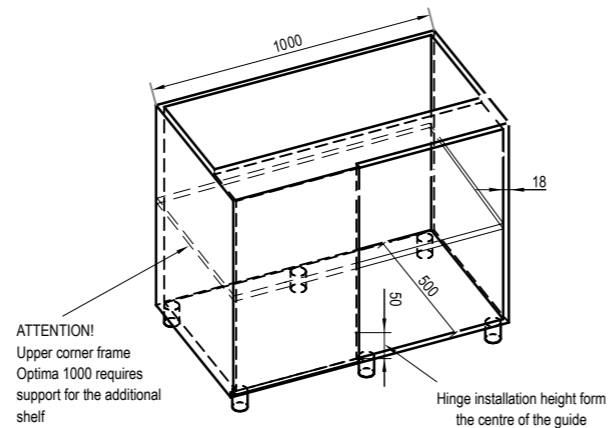
Corner Optima 800 / 900



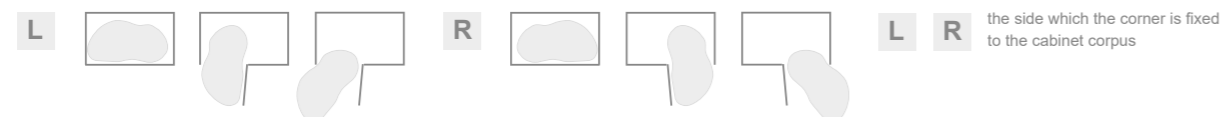
Corner Optima 1000



Corner Optima 1000



Corner extension diagram:

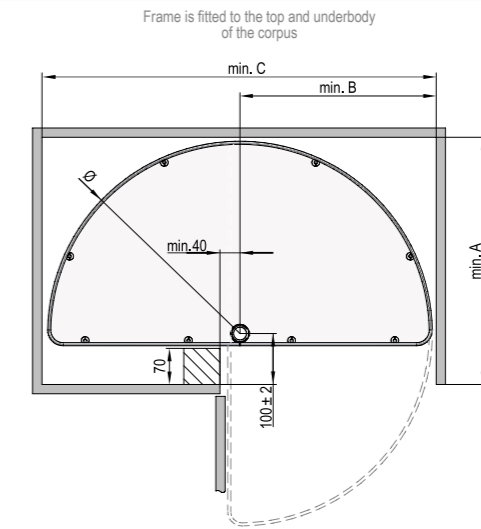


Cabinet measurements

Carousel 1/2



Carousel rotation diagram:



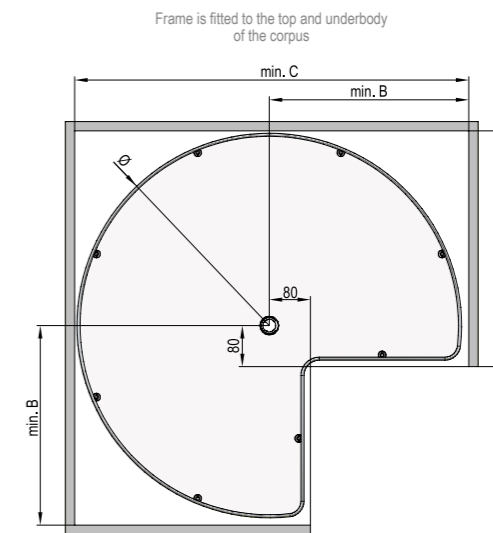
meas.	type of shelf			
	600*	690*	750	820
A	405	450	480	515
B	305	350	380	415
C	610	700	760	830
Ø	595	685	745	815

*only available in the Variant line

Carousel 3/4



Carousel rotation diagram:



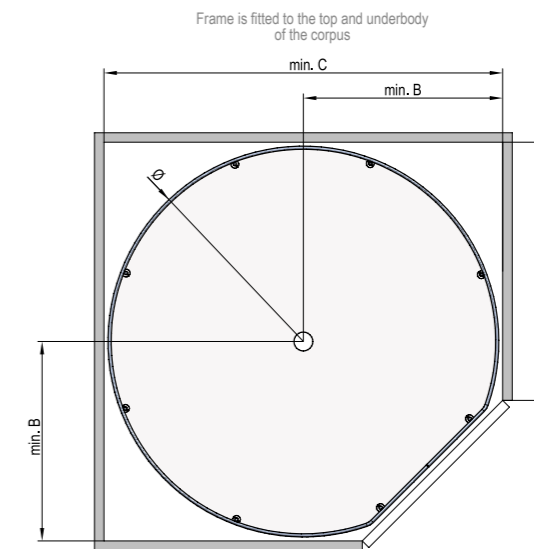
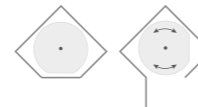
meas.	type of shelf			
	600*	690*	750	820
A	385	430	460	495
B	305	350	380	415
C	615	705	765	835
Ø	595	685	745	815

*only available in the Variant line

Carousel D



Carousel rotation diagram:

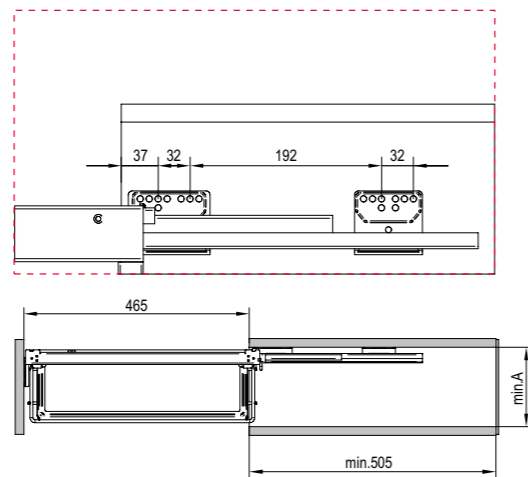
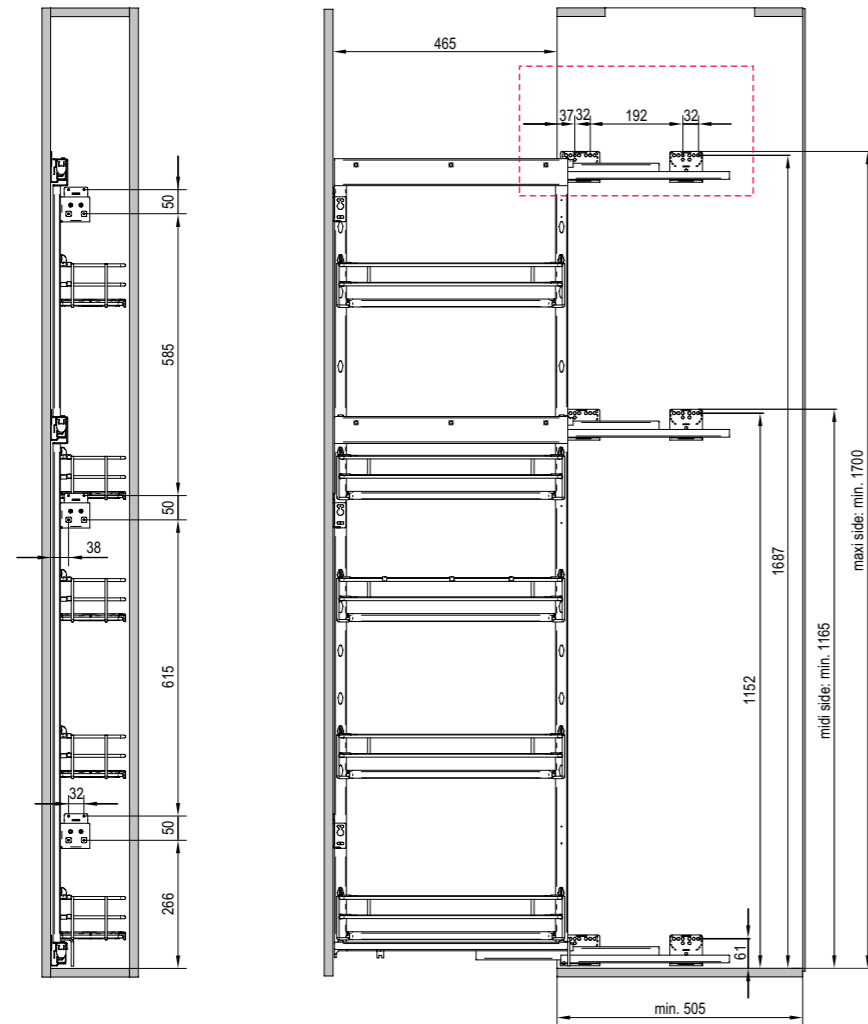


meas.	type of shelf	
	510*	750*
A	315	490
B	263	380
C	525	760
Ø	505	745

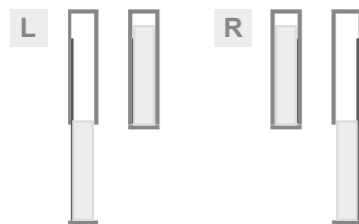
*only available in the Variant line

Casing Measurements

Runner is fitted to the side of the corpus



Cargo extension diagram:

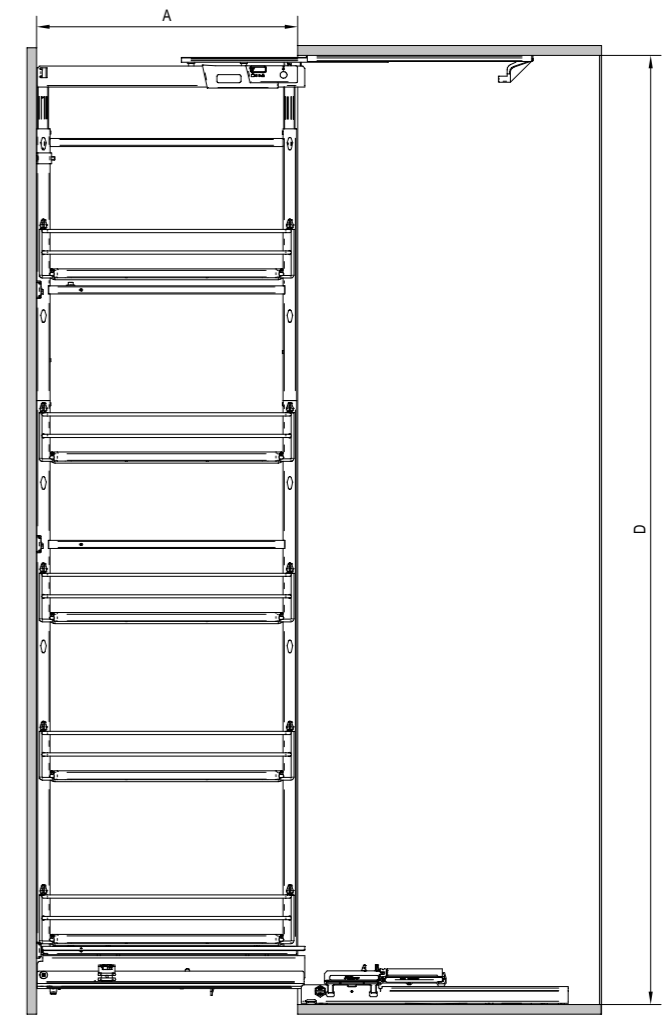
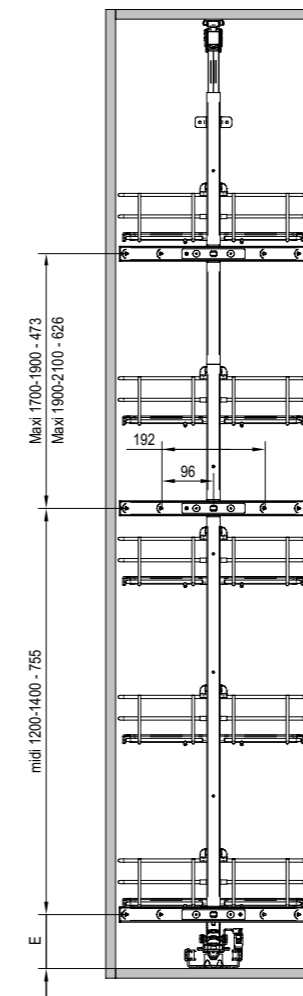


L R indicates which side of the cabinet corpus the basket is fixed to

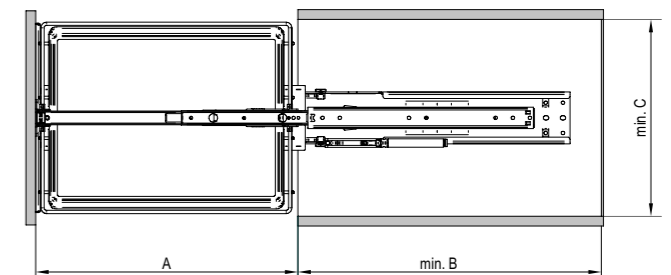
cargo midi/maxi side	A
150	min. 114
200	min. 164

Cabinet measurements

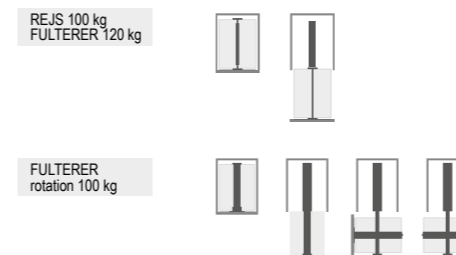
Runner is fitted to the top and underbody of the corpus



ATTENTION: an additional adjustable foot is required - centrally below the cabinet



Cargo extension diagram:

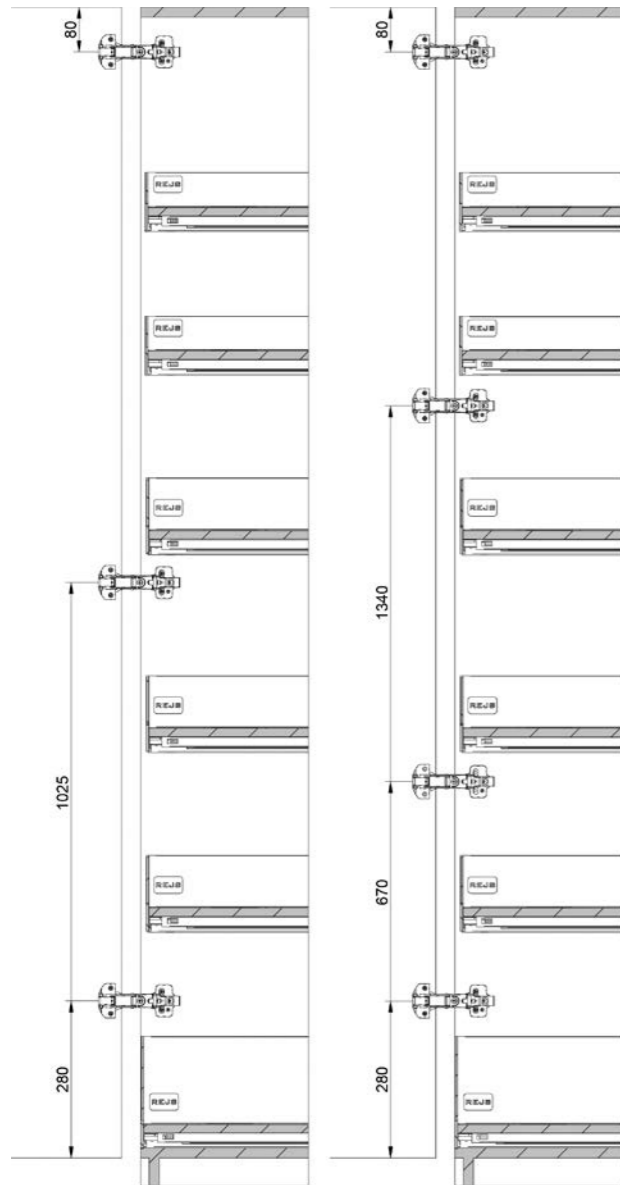


	REJS 100	FULLERER 120	ROTATION 100
A	445	485	495
B	min. 505	min. 495	min. 505
E	85	88	147

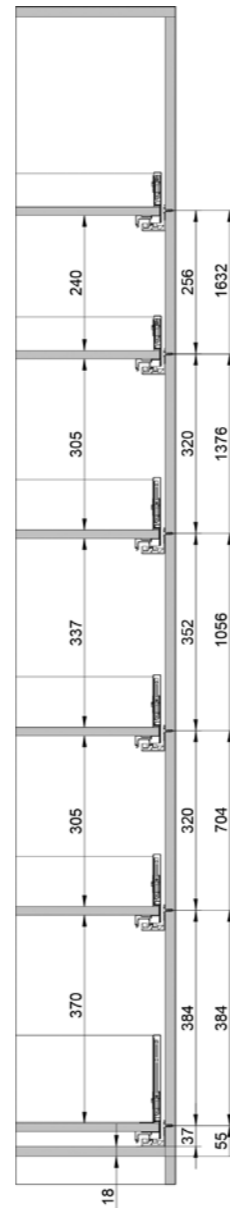
basket type	D			cargo midi/maxi	C
	REJS 100	FULLERER 120	ROTATION 100		
Midi 1200-1400	1200-1400		1280-1480	300	min. 264
Maxi 1700-1900	1700-1900		1760-1960	400	min. 364
Maxi 1900-2100	1900-2100		1960-2160	500	min. 464
				600	min. 564

min. C	C
300	min. 264
400	min. 364
500	min. 464
600	min. 564

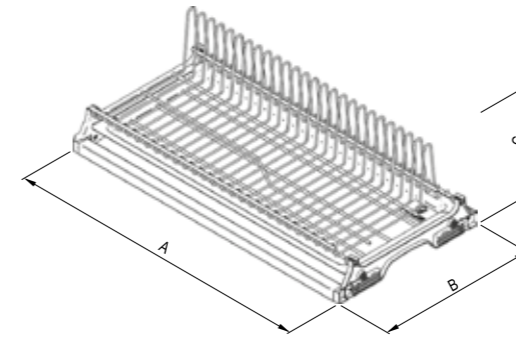
Drilling measurements - front



Positioning in the cabinet

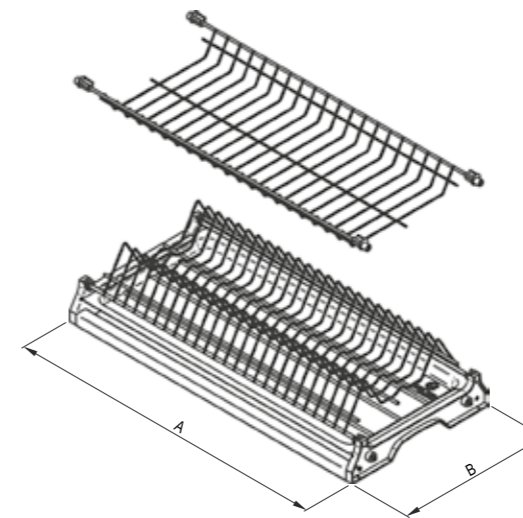


Single shelf dish drainer



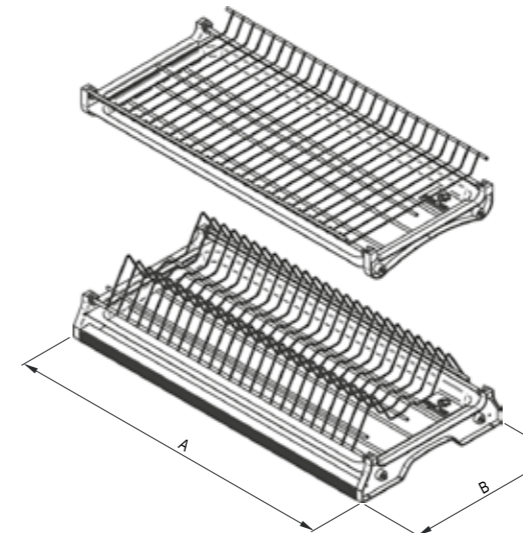
type of drainer	A	B	C
400	364 / 368	275+325	170
450	414 / 418	275+325	170
500	464 / 468	275+325	170
600	564 / 568	275+325	170
700	664 / 668	275+325	170
800	764 / 768	275+325	170
900	864 / 868	275+325	170

Variant 1 dish drainer



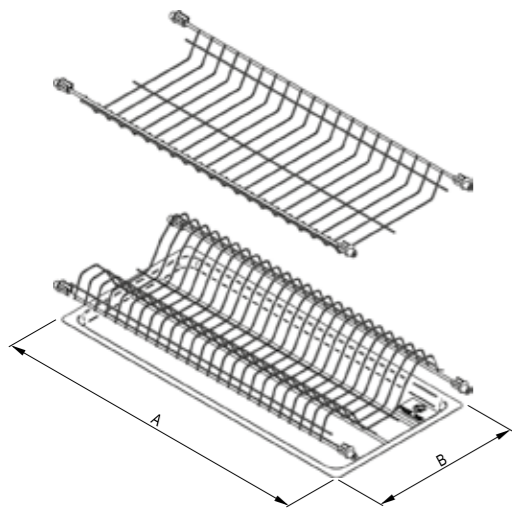
type of drainer	A	B
400	364 / 368	275+325
450	414 / 418	275+325
500	464 / 468	275+325
600	564 / 568	275+325
700	664 / 668	275+325
800	764 / 768	275+325
900	864 / 868	275+325

Variant 3 dish drainer



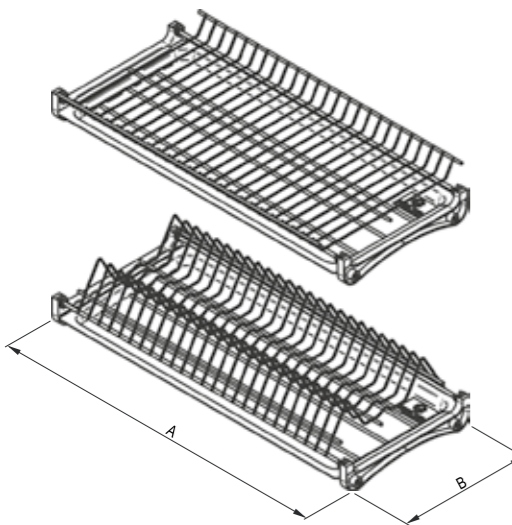
type of drainer	A	B
400	364 / 368	275+325
450	414 / 418	275+325
500	464 / 468	275+325
600	564 / 568	275+325
700	664 / 668	275+325
800	764 / 768	275+325
900	864 / 868	275+325

Standard 1 dish drainer



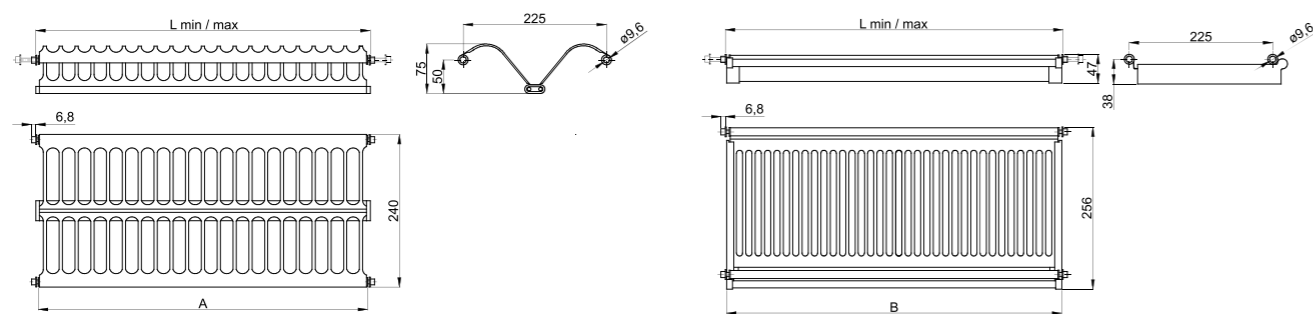
type of drainer	A	B
400	364 / 368	275
450	414 / 418	275
500	464 / 468	275
600	564 / 568	275
700	664 / 668	275
800	764 / 768	275
900	864 / 868	275

Standard 3 dish drainer



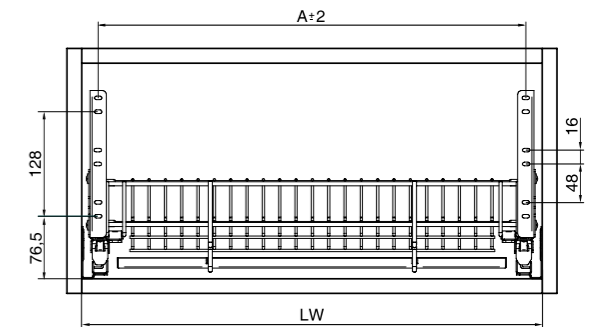
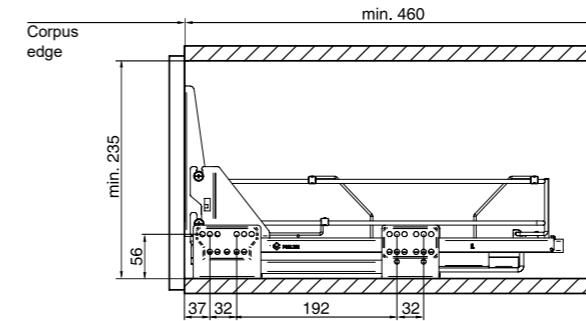
type of drainer	A	B
400	364 / 368	275
450	414 / 418	275
500	464 / 468	275
600	564 / 568	275
700	664 / 668	275
800	764 / 768	275
900	864 / 868	275

Prima dish drainer



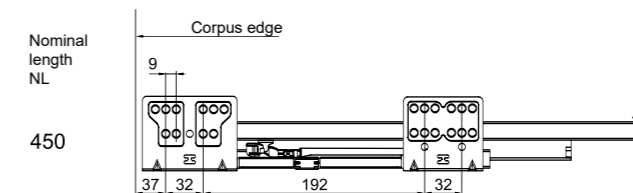
type of drainer	L min./max.	A	B
500	430 / 480	418	421
600	430 / 480	518	521
700	430 / 480	618	621
800	430 / 480	718	721
900	430 / 480	818	821
1000	430 / 480	918	921

Drawer for plates

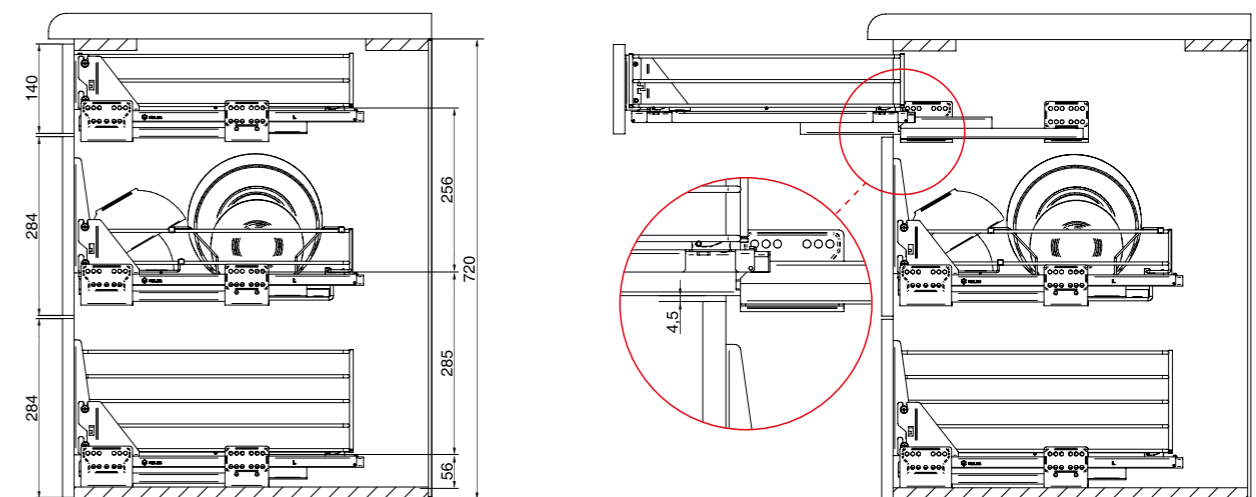


width	LW	A
60	564-568	524
70	664-668	624
80	764-768	724
90	864-868	824

Installation position of the runners in the corpus

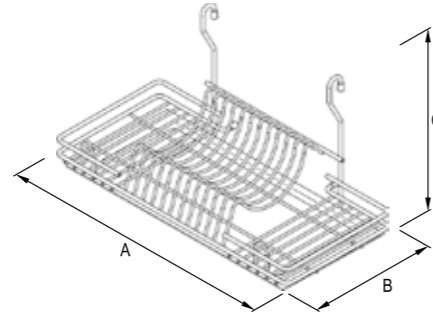


Example drawer assembly



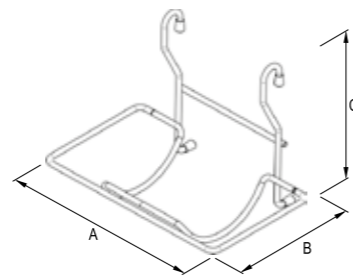
Kitchen

Hanging dish drainer



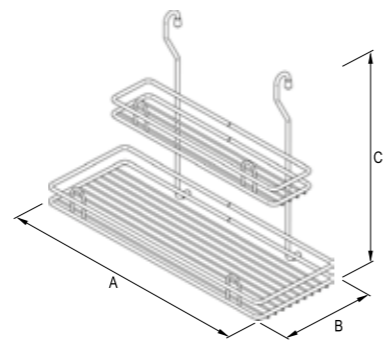
A x B x C
445 x 265 x 255

Hanging basket for kitchen roll



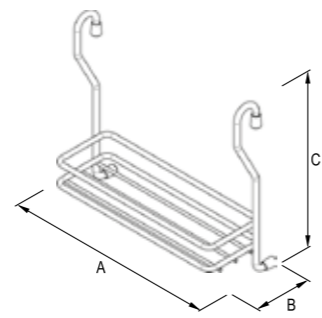
A x B x C
250 x 175 x 190

Hanging basket large double



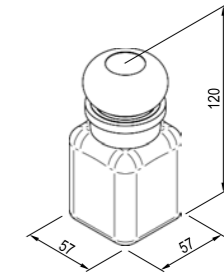
A x B x C
450 x 185 x 335

Hanging basket for spices

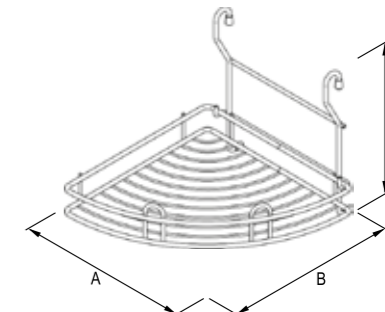


A x B x C
210 x 80 x 195

Hanging basket for spices 3

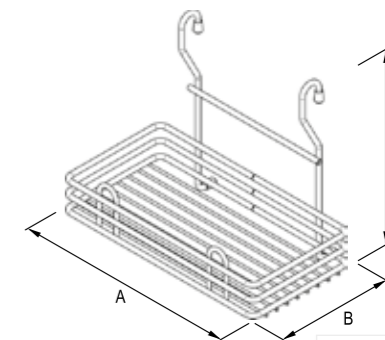


Hanging basket corner



A x B x C
270 x 290 x 235

Hanging basket small single



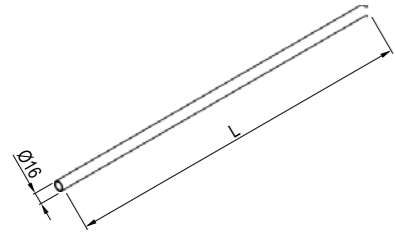
A x B x C
280 x 175 x 235

Railing hook

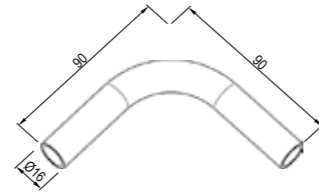


Kitchen

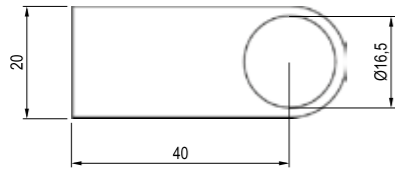
Rail



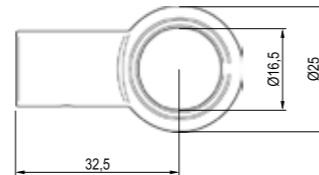
Corner rail



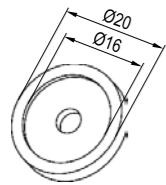
Rail support bracket straight



Rail support bracket retro



Handle pad retro



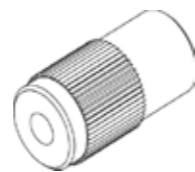
Rail end cap straight



Rail end cap retro



Rail connector





WASTE SEGREGATION



Sort it your way

The key to comfort when segregating waste at home is trouble-free and quick access to all baskets at once, as well as being able to adjust the system to fit the users unique lifestyle, habits, and kitchen layout. To this end, Rejs has developed a range of waste segregation systems that will ensure everyone can find something that fits their needs.

Living in harmony with the environment has never been so easy!

Segrego is a functional and easy-to-use drawer system with incorporated waste bins, which can be fully withdrawn from the cabinet, enabling simple and convenient waste segregation. The **JC** line's integrated extension system and bin rack, enables mounting to cabinets with standard hinged fronts, as well as the option to mount the front directly to the **JC** frame itself (via a separately sold front mounting). The **Variant Multi** line waste system can also, like the **JC** system, be fitted to cabinets with extending, or traditional hinged fronts. It all depends on which extension system is chosen. The Rejs range of waste segregation systems also includes the lines **Praktiko** and **Sorte**, which fit directly to an existing drawer system. **Praktiko**, consists of a set of waste bins, which fit to a moulded plastic tray which is laid in the draw bottom. Alternatively the **Sorte** system enables these same bins to be fitted to a metal frame, which mounts to the drawer sides themselves. With each of these systems the frames can be chosen to accommodate the specific needs of the user. These solutions work best where the focus is on functionality.

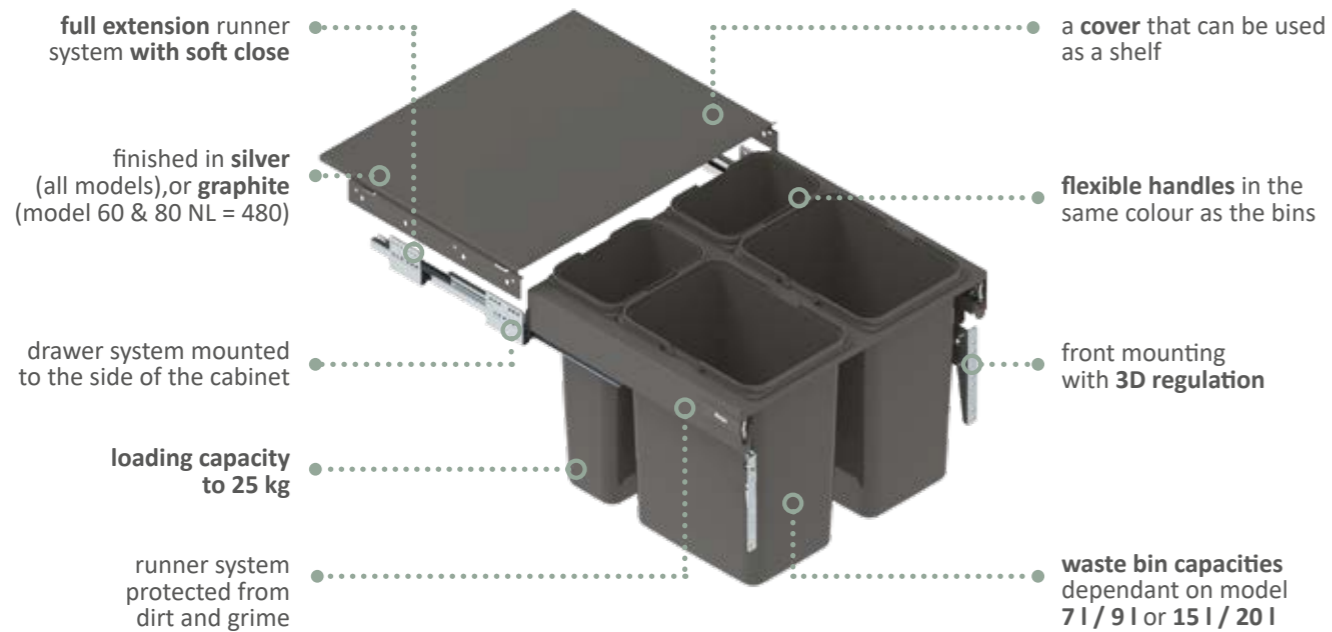
Most Rejs segregation systems can be fitted with an electrical opening mechanism. Developed by German specialists, the **Hailo Libero 3.0** can be mounted in any drawer. To open it, just move your foot near the sensor located in the bottom panel. Alternatively, we offer the **Servo-Drive Uno** system developed by Blum. This system enables the drawer to be opened by pressing the front with your hand or knee.





FRONT 45	SEGREGO H=320/425 NL=480	FRONT 50	SEGREGO H=320/425 NL=480	FRONT 60	SEGREGO H=320/425 NL=400
height	index	colour	height	index	colour
320	WE28.4034.01	549	320	WE28.4036.01	549
425	WE28.4035.01	549	425	WE28.4037.01	549
height	index	colour	height	index	colour
320	WE28.4038.01	549, 924	320	WE28.4042.01	549, 924
425	WE28.4039.01	549, 924	425	WE28.4043.01	549, 924

Product characteristics:



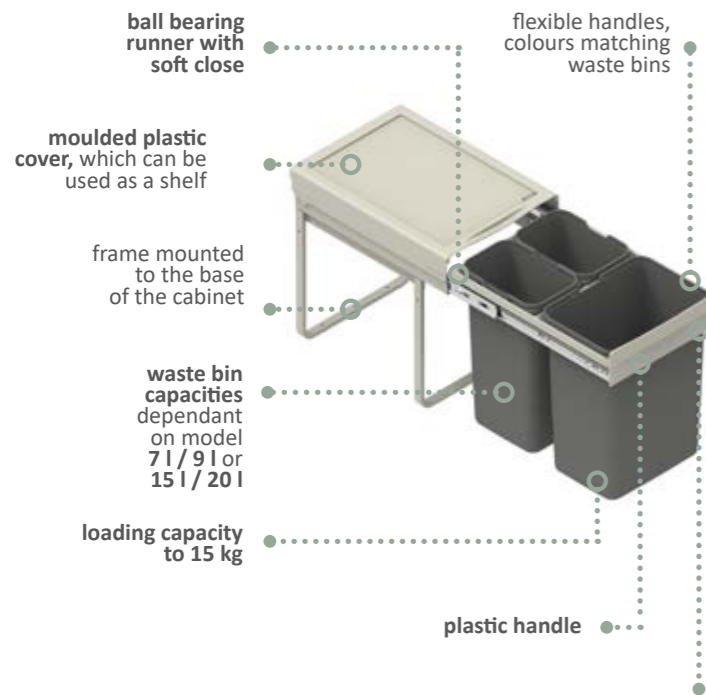
Runner Length / Waste bin capacity		Installation Dimensions																					
<p>FRONT 45-50 NL=480</p>	<p>FRONT 60 NL=400</p>																						
<p>FRONT 60 NL=480</p>	<p>FRONT 80 NL=480</p>	<p>NL - nominal runner length LW - cabinet internal width HM - height of the installed system</p> <table border="1"> <thead> <tr> <th></th> <th>FRONT 45</th> <th>FRONT 50</th> <th>FRONT 60</th> <th>FRONT 80</th> </tr> </thead> <tbody> <tr> <td>H</td> <td>320 425</td> <td>320 425</td> <td>320 425</td> <td>320 425</td> </tr> <tr> <td>HM</td> <td>330 440</td> <td>330 440</td> <td>330 440</td> <td>330 440</td> </tr> <tr> <td>LW</td> <td>414-418</td> <td>464-468</td> <td>564-568</td> <td>764-768</td> </tr> </tbody> </table>			FRONT 45	FRONT 50	FRONT 60	FRONT 80	H	320 425	320 425	320 425	320 425	HM	330 440	330 440	330 440	330 440	LW	414-418	464-468	564-568	764-768
	FRONT 45	FRONT 50	FRONT 60	FRONT 80																			
H	320 425	320 425	320 425	320 425																			
HM	330 440	330 440	330 440	330 440																			
LW	414-418	464-468	564-568	764-768																			
* applies to height 425																							



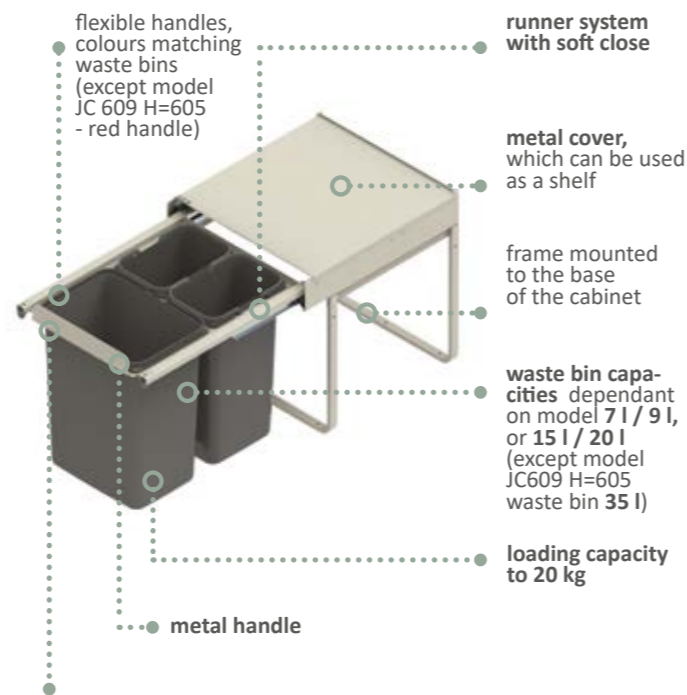
Waste segregation

Waste segregation

Features of JC for cabinet widths 30-40 cm:



Features of JC for cabinet widths 45-60 cm:



Possible to be mounted to cabinets with hinged, or pull-out fronts (using the front mounting, available to purchase separately)

JC for cabinet widths 30-40

FRONT 30 JC603 H=330/440



height	index	colour
330	WE14.1560.05	549
440	WE14.1561.05	549

FRONT 30 JC604 H=440



height	index	colour
440	WE14.3362.05	549

JC for cabinet widths 45-60

FRONT 45 JC607 H=345/450



height	index	colour
345	WE14.1533.05	549
450	WE14.1534.05	549

FRONT 45 JC606 H=450



height	index	colour
450	WE14.1535.05	549

FRONT 40 JC602 H=330/440



height	index	colour
330	WE14.3258.05	549
440	WE14.3259.05	549

FRONT 40 JC601 H=440



height	index	colour
440	WE14.1557.05	549

FRONT 60 JC609 H= 345/450



height	index	colour
345	WE14.2251.05	549
450	WE14.1536.05	549

FRONT 60 JC609 H=605



height	index	colour
605	WE14.1552.05	549

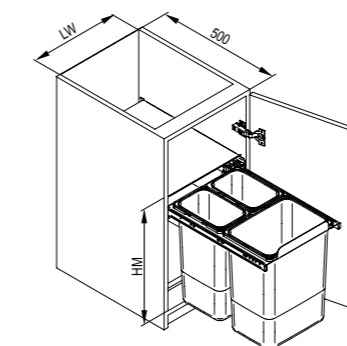
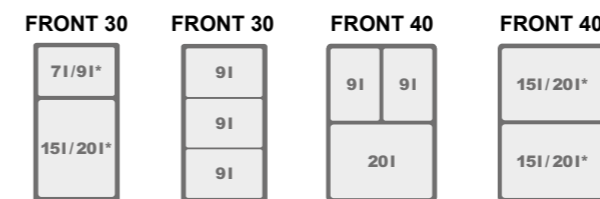
Front mounting set for JC601, 602, 603, 604

index	colour
WE24.0019.01	062

Front mounting set for JC606, 607, 609

index	colour
WE24.0017.01	549

JC for cabinets 30-40 waste bin capacity and dimensions

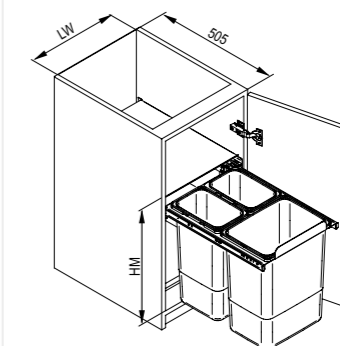
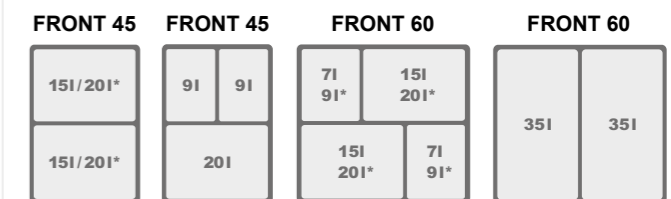


LW - cabinet internal width
HM - height of the installed system

	FRONT 30		FRONT 40	
H	low	high	low	high
HM	330	440	330	440
LW	264		350	

* applies to height 440

JC for cabinets 45-60 waste bin capacity and dimensions



LW - cabinet internal width
HM - height of the installed system

	FRONT 45		FRONT 60		FRONT 60
H	low	high	low	high	high 35 l
HM	345	450	345	450	605
LW	414		564		564

* applies to height 450

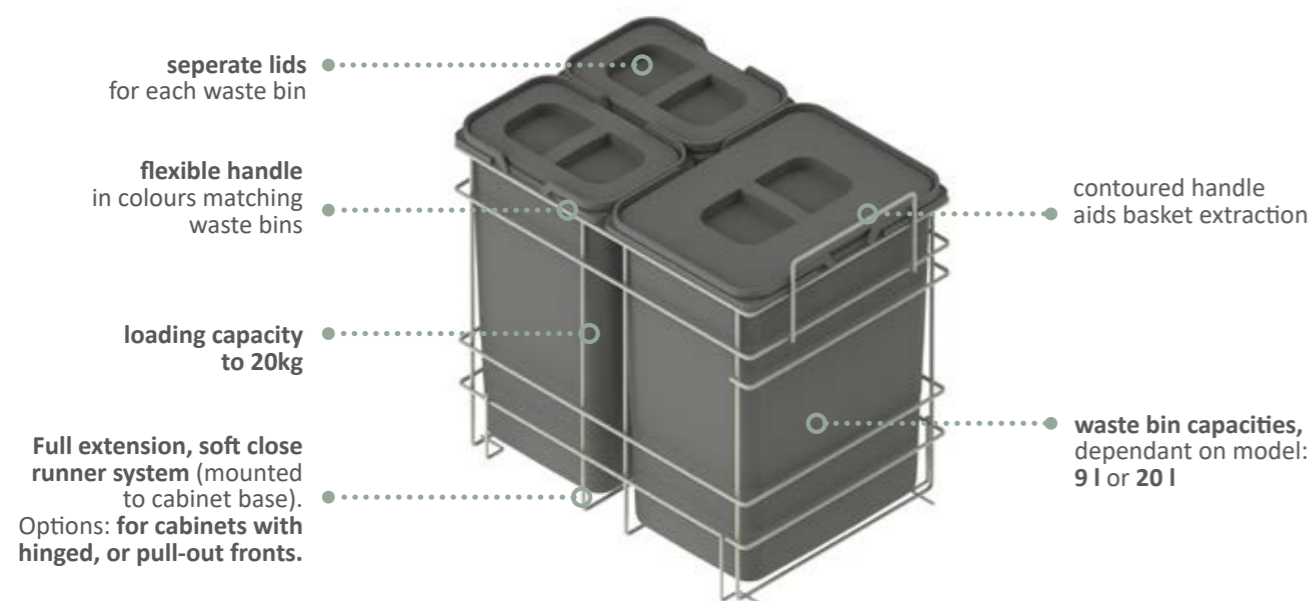
COATING CODE: 062 WHITE ZINC 549 SILVER DS



Waste segregation

Waste segregation

Product characteristics:

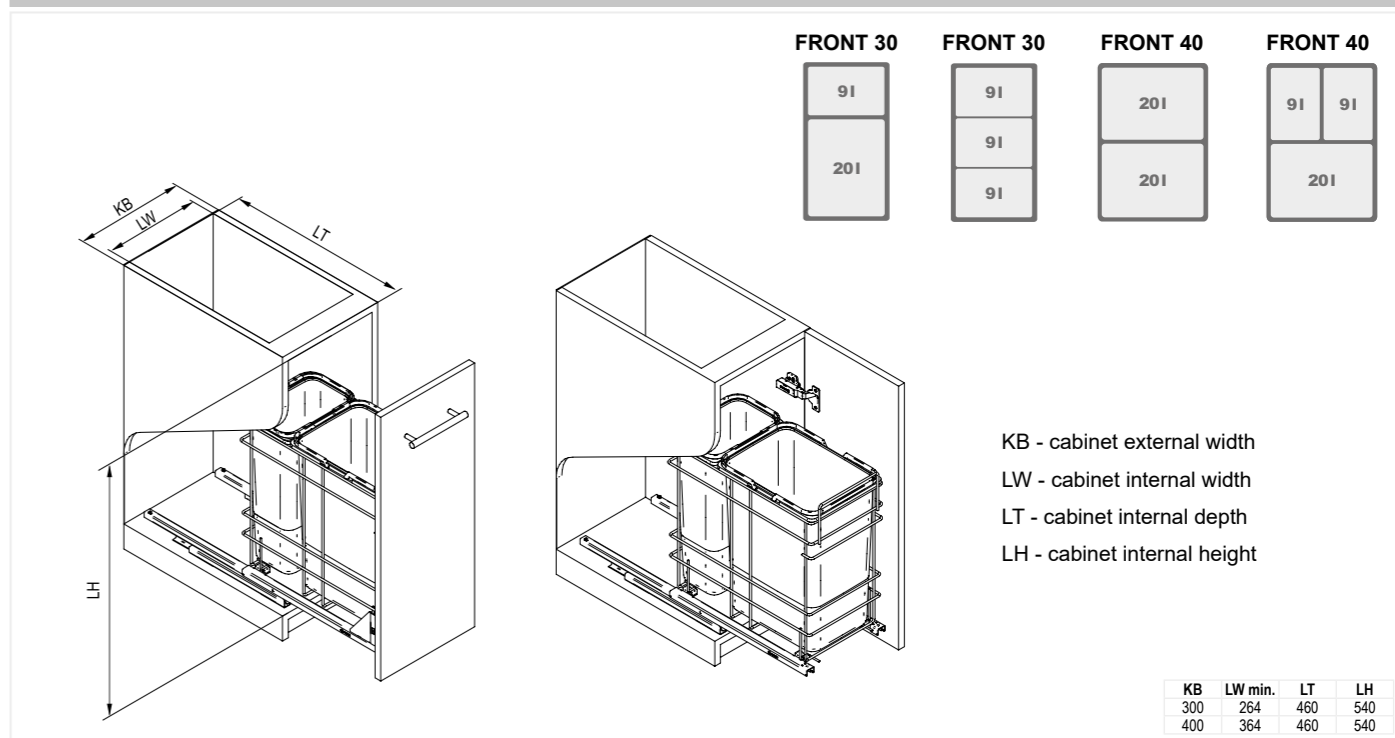


Variant Multi Line waste system - set components

1 Basket and wastebins							
FRONT 30	1 x 20 l + 1 x 9 l	FRONT 30	3 x 9 l	FRONT 40	2 x 20 l	FRONT 40	1 x 20 l + 2 x 9 l
index	colour	index	colour	index	colour	index	colour
WE29.0129.05	549	WE29.0130.05	549	WE29.0131.05	549	WE29.0132.05	549

2 Runner system (base)			
REJS FULL for pull-out fronts		REJS FULL for hinged fronts	
extension system / runner	index	colour	
REJS FULL	WE29.0014.01	549	
for cabinets with pull-out fronts, full extension, soft close L-450			
		REJS	
extension system / runner	index	colour	
REJS FULL	WE29.0128.01	549	
for cabinets with hinged doors, full extension, soft close L-450			
		REJS	

Variant Multi Line waste system - bin capacities and dimensions



COATING CODE: 549 SILVER DS

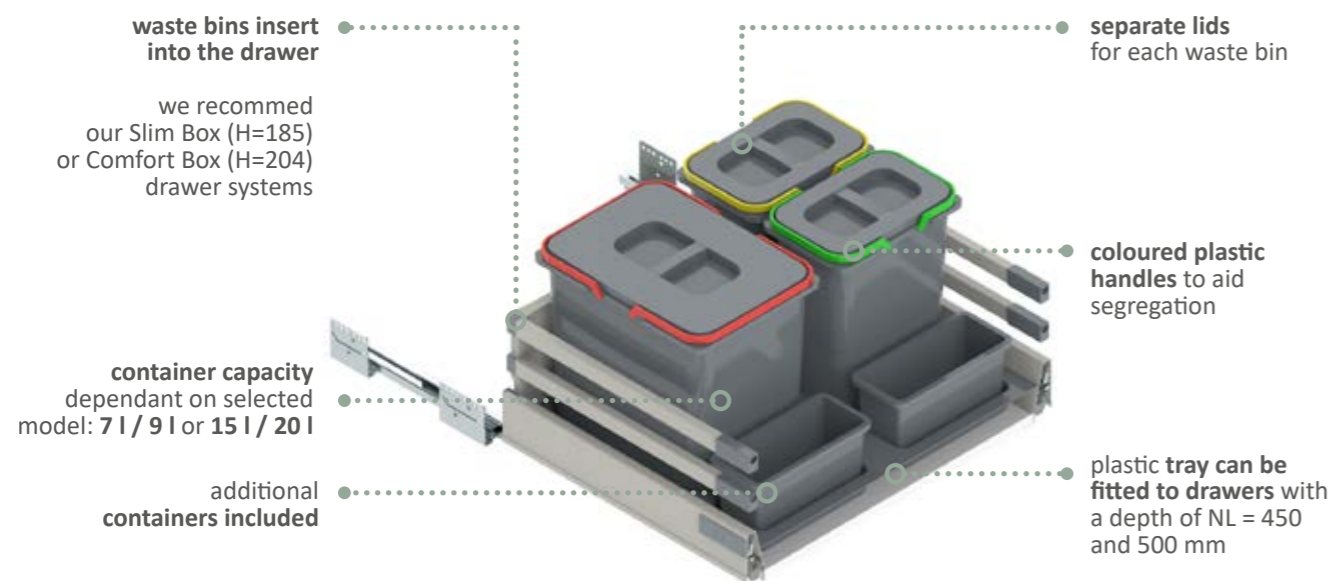


Waste segregation

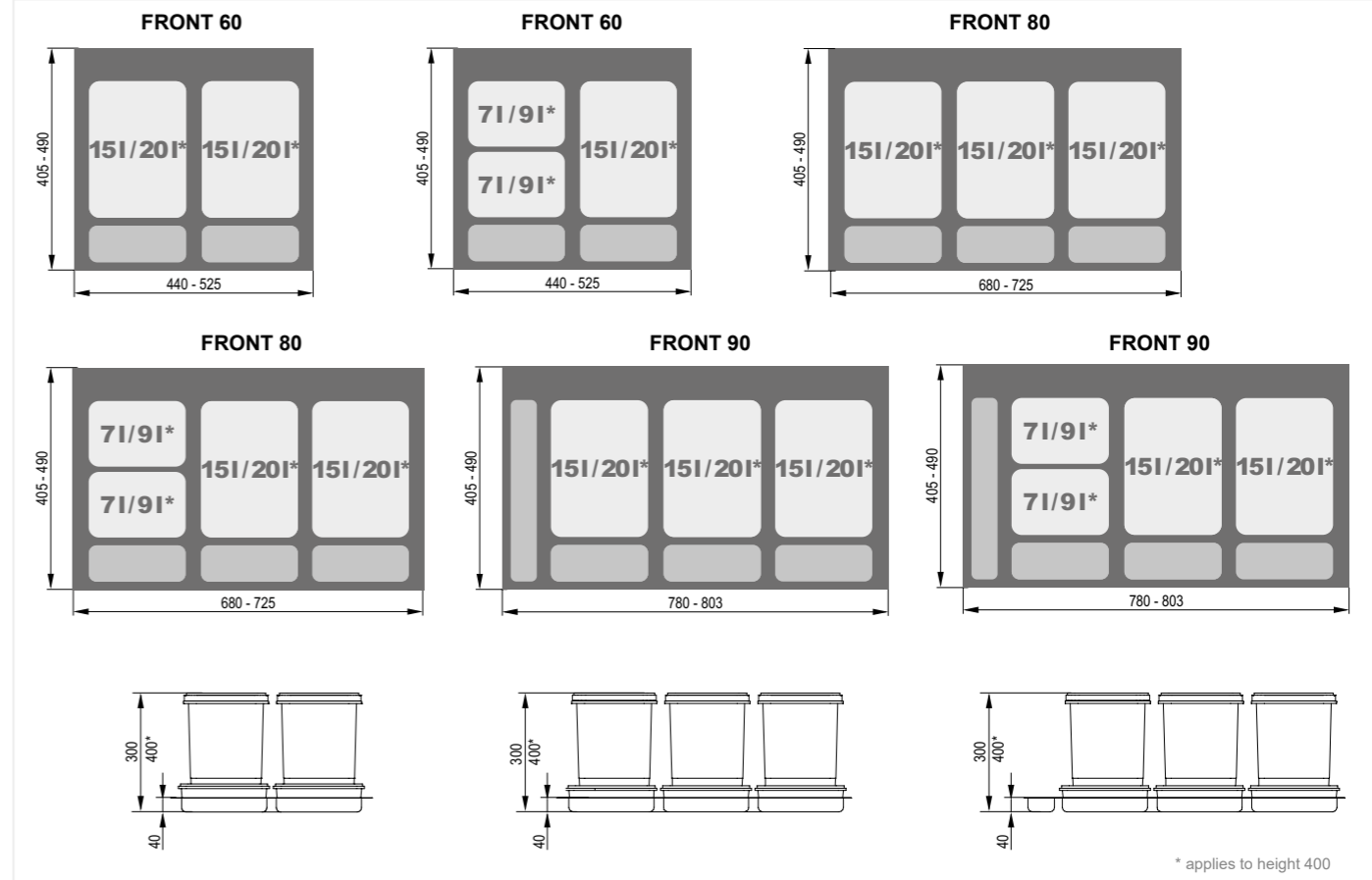
Waste segregation

FRONT 60	PRAKTIKO 2 x 15/20 I	FRONT 60	PRAKTIKO 1 x 15/20 I + 2 x 7/9 I	FRONT 80	PRAKTIKO 3 x 15/20 I																											
	<table border="1"> <tr><th>height</th><th>index</th><th>colour</th></tr> <tr><td>300</td><td>WE14.1821.05</td><td>049</td></tr> <tr><td>400</td><td>WE14.1827.05</td><td>049</td></tr> </table>	height	index	colour	300	WE14.1821.05	049	400	WE14.1827.05	049		<table border="1"> <tr><th>height</th><th>index</th><th>colour</th></tr> <tr><td>300</td><td>WE14.1822.05</td><td>049</td></tr> <tr><td>400</td><td>WE14.1828.05</td><td>049</td></tr> </table>	height	index	colour	300	WE14.1822.05	049	400	WE14.1828.05	049		<table border="1"> <tr><th>height</th><th>index</th><th>colour</th></tr> <tr><td>300</td><td>WE14.1823.05</td><td>049</td></tr> <tr><td>400</td><td>WE14.1829.05</td><td>049</td></tr> </table>	height	index	colour	300	WE14.1823.05	049	400	WE14.1829.05	049
height	index	colour																														
300	WE14.1821.05	049																														
400	WE14.1827.05	049																														
height	index	colour																														
300	WE14.1822.05	049																														
400	WE14.1828.05	049																														
height	index	colour																														
300	WE14.1823.05	049																														
400	WE14.1829.05	049																														
FRONT 80	PRAKTIKO 2 x 15/20 I + 2 x 7/9 I	FRONT 90	PRAKTIKO 3 x 15/20 I	FRONT 90	PRAKTIKO 2 x 15/20 I + 2 x 7/9 I																											
	<table border="1"> <tr><th>height</th><th>index</th><th>colour</th></tr> <tr><td>300</td><td>WE14.1824.05</td><td>049</td></tr> <tr><td>400</td><td>WE14.1830.05</td><td>049</td></tr> </table>	height	index	colour	300	WE14.1824.05	049	400	WE14.1830.05	049		<table border="1"> <tr><th>height</th><th>index</th><th>colour</th></tr> <tr><td>300</td><td>WE14.1825.05</td><td>049</td></tr> <tr><td>400</td><td>WE14.1831.05</td><td>049</td></tr> </table>	height	index	colour	300	WE14.1825.05	049	400	WE14.1831.05	049		<table border="1"> <tr><th>height</th><th>index</th><th>colour</th></tr> <tr><td>300</td><td>WE14.1826.05</td><td>049</td></tr> <tr><td>400</td><td>WE14.1832.05</td><td>049</td></tr> </table>	height	index	colour	300	WE14.1826.05	049	400	WE14.1832.05	049
height	index	colour																														
300	WE14.1824.05	049																														
400	WE14.1830.05	049																														
height	index	colour																														
300	WE14.1825.05	049																														
400	WE14.1831.05	049																														
height	index	colour																														
300	WE14.1826.05	049																														
400	WE14.1832.05	049																														

Product characteristics:



Praktiko: Bin capacity and dimensions



* applies to height 400

COATING CODE: 049 SILVER



Waste segregation

Waste segregation

Waste system Sorte - set components

1 Frame and cover

FRONT 60	SORTE 2 slots	FRONT 80	SORTE 3 slots	FRONT 90	SORTE 3 slots + 1
index WE14.2003.01	colour 549, 924	index WE14.2004.01	colour 549, 924	index WE14.2050.01	colour 549, 924

2 Waste bins Praktiko / JC

capacity	index	colour
7 l	TE22.1993.05	007, 049
9 l	TE22.1969.05	007, 049
15 l	TE22.1994.05	007, 049
20 l	TE22.1968.05	007, 049

3 Waste bin handles

to waste bin	index	colour
7 l / 9 l	TE22.6580.05	007, 044, 046, 047, 089
15 l / 20 l	TE22.6568.05	007, 044, 046, 047, 089

Caution: for one waste bin 2 pcs are required

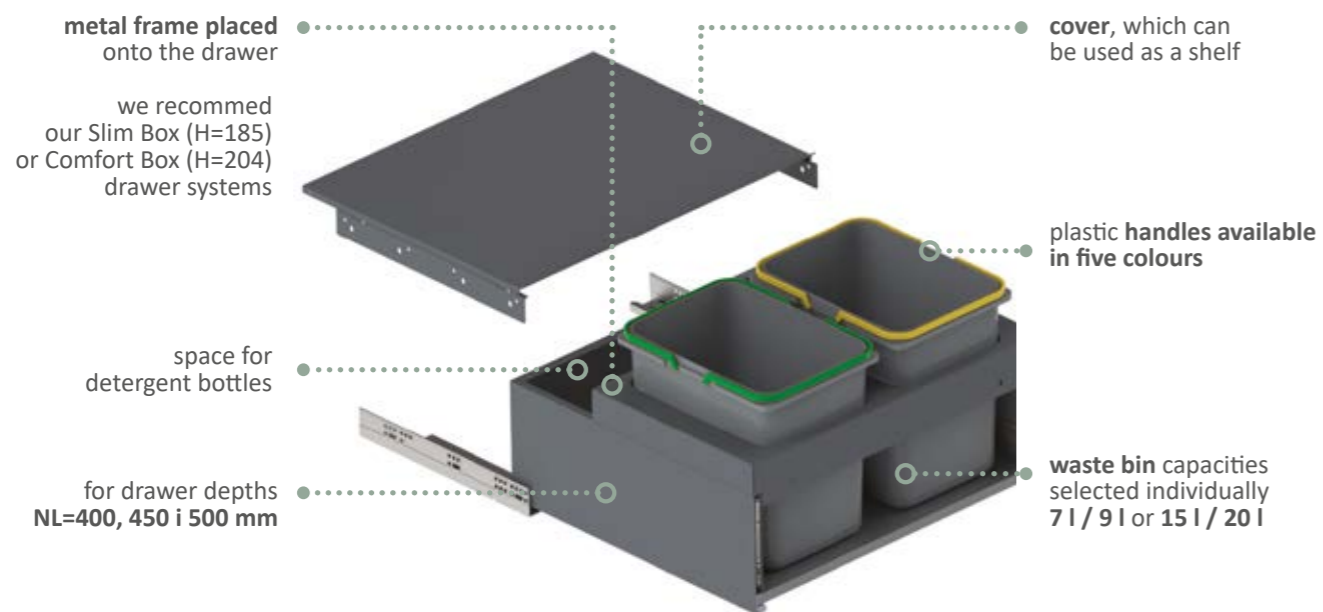
4 Mini container

index	colour
TE22.1188.05	007, 049

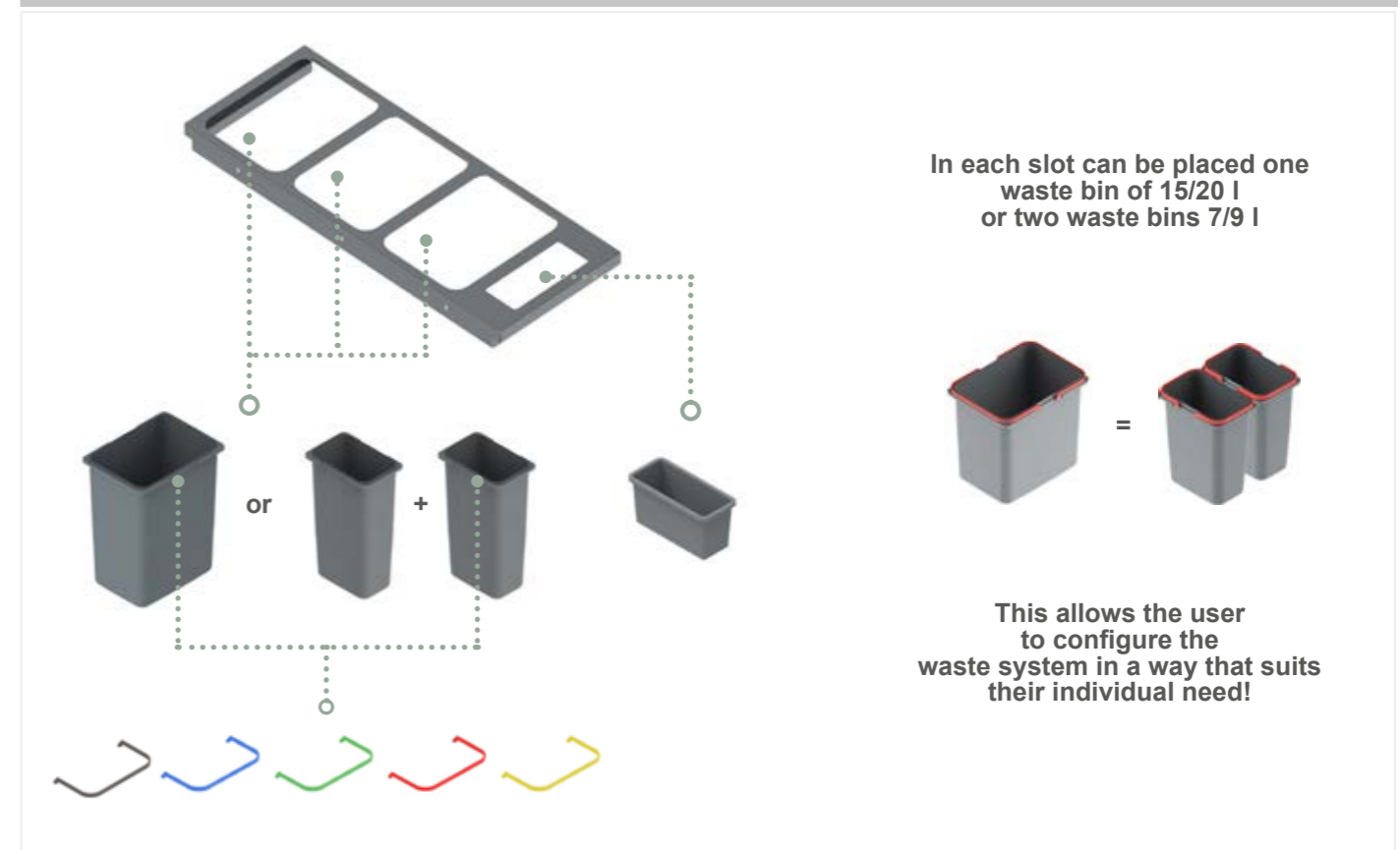
1 + 2 + 3 = SORTE 60 / 80

1 + 2 + 3 + 4 = SORTE 90

Product characteristics:

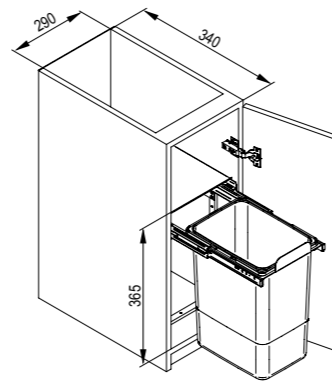


Sorte - configurations of the metal frame



FRONT
40 ALADIN1

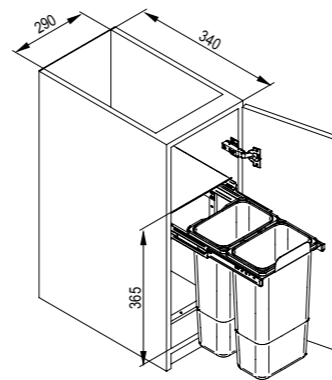
- single • with cover • with full extension ball-bearing runner • plastic handles • loading capacity to 10 kg
- in capacity 1 x 16 l • system fitted to the underbody of the cabinet



index
TE22.0901.05.000

FRONT
40 ALADIN2

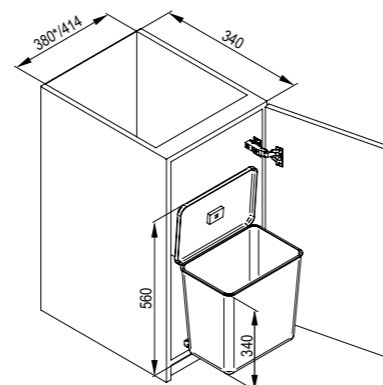
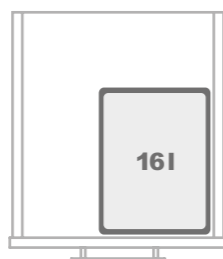
- double • with cover • with full extension ball-bearing runner • plastic handles • loading capacity to 10 kg
- bin capacity 2 x 8 l • system fitted to the underbody of the cabinet



index
TE22.1002.05.000

FRONT
45 SESAMO1

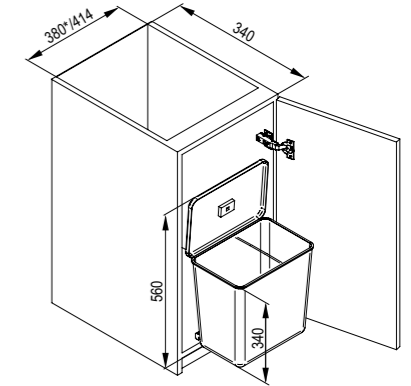
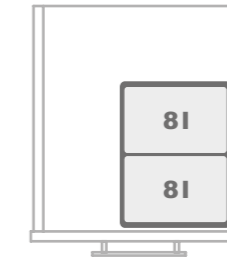
- single • universal (L/R) • plastic handles • loading capacity to 10 kg • bin capacity 1 x 16 l
- system mounted to the side-wall and front of the cabinet • when opening the front extends out of the cabinet and the cover lifts
- possible to mount to 40 cm cabinet* (after removing the distance)



index
TE22.0701.05.000

FRONT
45 SESAMO2

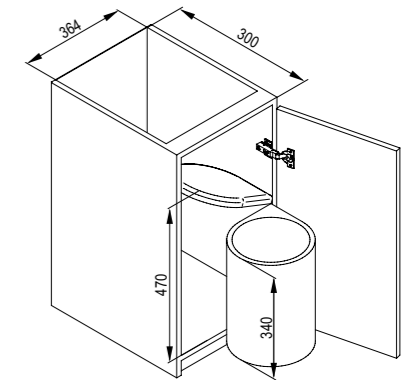
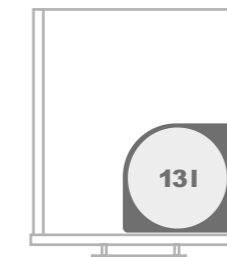
- double • universal (L/R) • plastic handles • loading capacity to 10 kg • bin capacity 2 x 8 l
- system mounted to the side-wall and front of the cabinet • when opening the front extends out of the cabinet and the cover lifts
- possible to mount to 40 cm cabinet* (after removing the distance)



index
TE22.0802.05.000

FRONT
45 AUTOMAT 270/272

- single • universal (L/R) • available colours: white (013), silver (049), white/chrome (051) • loading capacity to 10 kg
- bin capacity 1 x 13 l • system mounted to the side wall and front of the cabinet
- when opening the front of the bin extends out of the cabinet and the cover lifts



type	index	colour
270	TE22.1110.05	013, 049
272	TE22.1111.05	051



To open the drawer simply place your foot in the area of the front sensor.



The **Hailo Livero 3.0** is the latest electric, drawer opening system developed by German Specialists. It does not require a special cabinet, it can be mounted to the bottom of any drawer. Thanks to this system a heavily loaded drawer can be easily opened by moving the foot near the sensor located in the bottom panel. The device can be connect to via wi-fi using a phone or computer. The system has an integrated light, the intensity of which, as well as the speed of the drawer extension, and sensitivity of the sensor, can be adjusted to the needs of the user.



To open the drawer simply press your hand or knee against its front.



Thanks to the **Servo-Drive Uno** from Blum, opening and closing drawers can be accomplished by simply applying pressure to the drawer front using a hand or knee. Using this system helps to keep drawer fronts clean, and at the same time the user benefits from the systems soft closing mechanism.

In order to mount the Servo-Drive Uno, a separate frame is needed. This can be purchased separately.

Hailo Libero 3.0

1 Drive Unit Hailo Libero 3.0

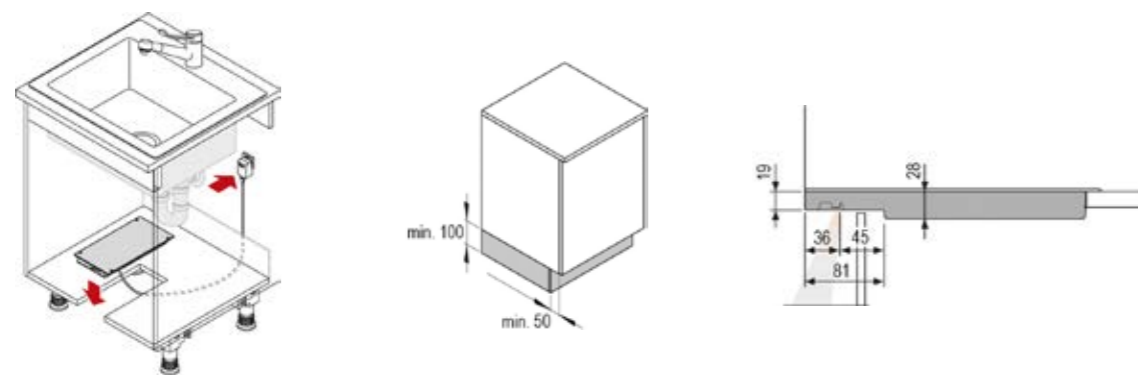
- designed for waste systems Segrego, Sorte, Praktiko
- adjustable drive force, sensor sensitivity, and lighting intensity



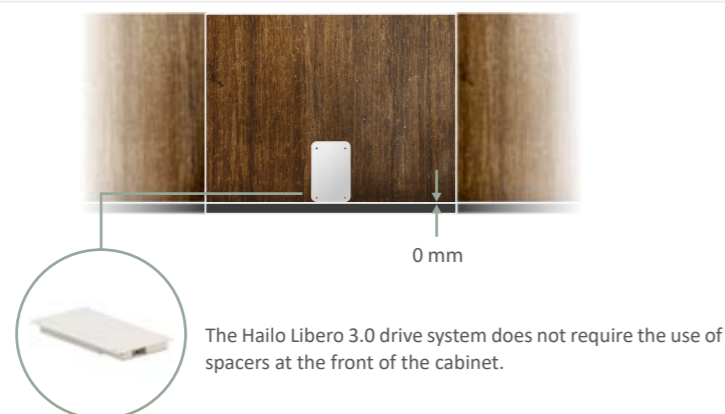
index	colour
TR06.5402.08	013



Cabinet mounting



Aerial perspective



Blum Servo Drive Uno

1 Drive Unit Blum Servo Drive Uno

- designed for waste systems Segrego (except for model width 800), Sorte, Praktiko
- when used with the Segrego system the additional mouting frame is needed



index	colour
TH04.0943.05	063

2 Frame for electrical drawer opening Segrego

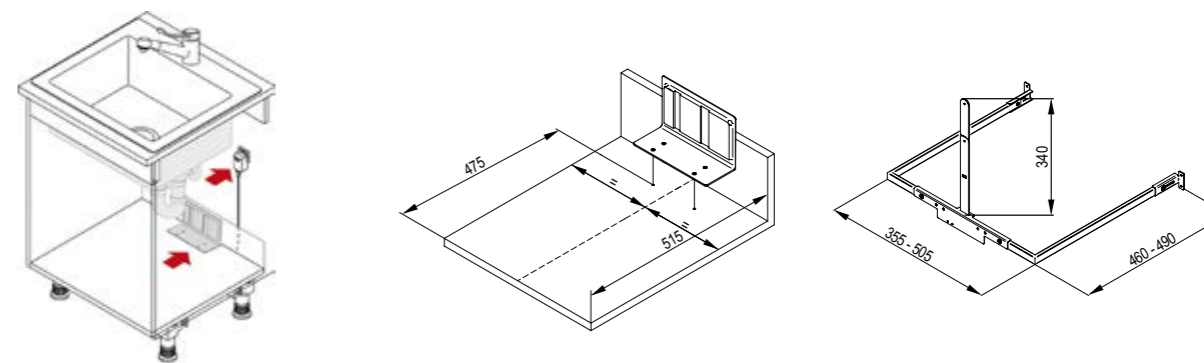
- essential for mounting the Blum Servo Drive system with Segrego (excluding model with width 800)
- adjustable width and depth



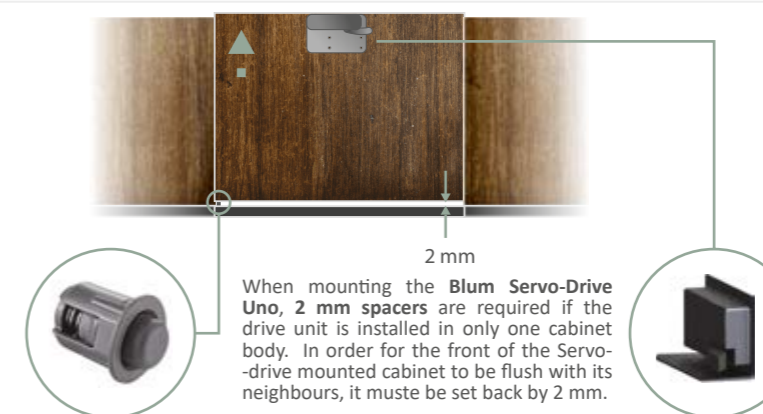
index	colour
WE28.4145.01	549, 924



Cabinet Mounting

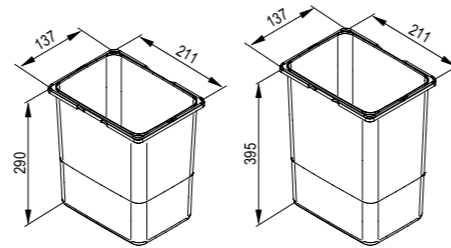


Aerial perspective



Universal waste bin for PRAKTIKO and JC systems 7 l / 9 l

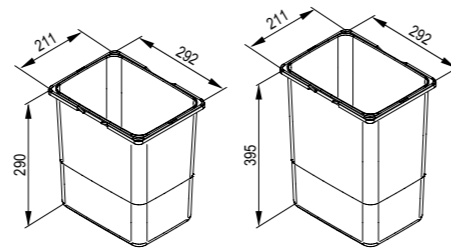
- waste bin 7 l / 9 l • lid sold separately • suggested bag capacity: 25 l
- waste bins supplied without handles (handles sold separately)



capacity	index	colour
7 l	TE22.1993.05	007, 049
9 l	TE22.1969.05	007, 049

Universal waste bin for PRAKTIKO and JC systems 15 l / 20 l

- waste bin 15 l / 20 l • lid sold separately • suggested bag capacity: 35 l / 60 l
- waste bins supplied without handles (handles sold separately)



capacity	index	colour
15 l	TE22.1994.05	007, 049
20 l	TE22.1968.05	007, 049

Handles for waste bins PRAKTIKO and JC 7 l / 9 l and 15 l / 20 l

- plastic handles for PRAKTIKO and JC 7 l / 9 l and 15 l / 20 l waste bins • handles sold individually
- for each waste bin, 2 handles are required



for waste bin	index	colour
7 l / 9 l	TE22.6580.05	007, 044, 046, 047, 089
15 l / 20 l	TE22.6568.05	007, 044, 046, 047, 089

Lids for PRAKTIKO and JC 7 l / 9 l i 15 l / 20 l

- universal waste bin lids for PRAKTIKO and JC 7 l / 9 l oraz 15 l / 20 l



for waste bin	index	colour
7 l / 9 l	TE22.5680.05	007, 049
15 l / 20 l	TE22.5668.05	007, 049



Mini container for PRAKTIKO

- small container with height 110 mm • fits to PRAKTIKO trays or the SORTE 90 frame • suitable for segregating smaller waste items such as food waste or bottle tops • ideally suited for neatly storing small accessories such as bin bags
- using our bracket (sold separately) the mini container can be mounted to the cabinet front



index	colour
TE22.1188.05	007, 049



Mounting bracket for waste bins

- designed for hanging waste bins to cabinet fronts • loading capacity of mounted bins 7 kg
- compatible with the full range of JC / Praktiko bins • quick and easy installation



index	colour
WE14.2149.01	062



Flexible siphon housing

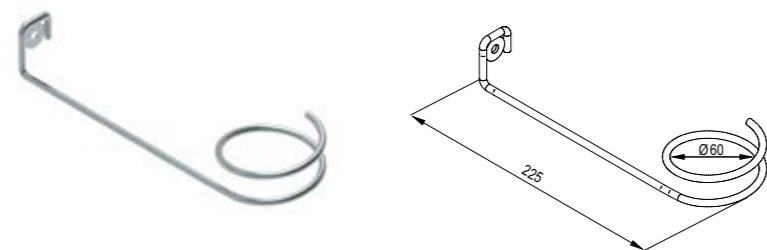
- for use in drawers with a depth of NL = 270 - 650 • designed for drawers with a bottom made of 16 mm board
- compatible with high and low drawers from all manufacturers • made of flexible material, facilitating an easy fit to the drawer



index	colour
TH02.8202.05	007, 013, 049

Distancer for sink hose

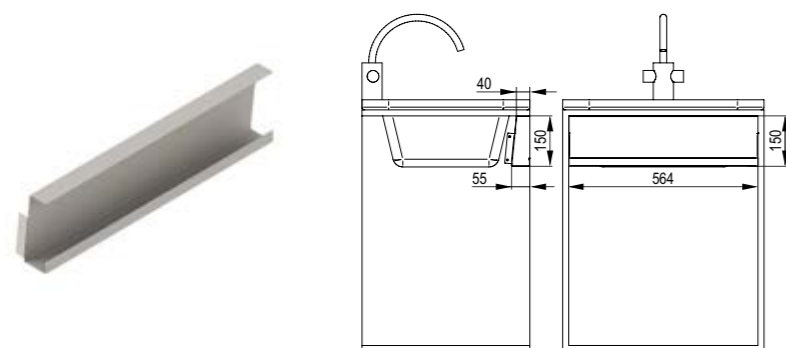
- distancer keeps hoses and wires in one place • made of metal • fitted to the side of the cabinet



index	colour
WE28.2301.01	062

Cover - shelf for undersink cabinet

- shelf for small accessories • made of metal • available in silver or graphite colours • mounted to cabinet side



index	colour
WE28.2460.01	549, 924

COATING CODE: 007 GRAPHITE 013 WHITE 049 SILVER 062 ZINC 549 SILVER DS 924 GRAPHITE





DRAWER SYSTEMS

and runners

Everything in its own place

From internal wardrobe drawers to large kitchen appliance drawers, Rejs drawer systems can be adapted to fit the needs of the user in a variety of spaces and functions.

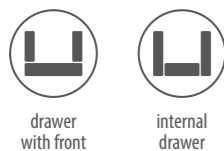
All products at your fingertips

Unlike traditional shelves, drawer systems make full use of available space, and grant easier access to, amongst other things, tableware, cosmetics, detergents, documents, and clothes – everything stored within easy reach and sight. By utilising internal organisation systems, such as dividers, rails, and inserts (metal, plastic, and wood), order can be maintained even amongst the smallest items. The use of the highest quality soft-close runner systems guarantees smooth movement and discreet closing.

REJS offers several drawer systems that differ in both appearance and function. The Maxima Puro line of internal drawer systems is our newest line. Maxima Puro is made of the highest quality stainless steel, and available in two colours: black with wooden decor and white with glass. The Slim Box and Comfort Box systems, already well known on the market, are available as both drawers with fronts, and internal drawers. They are available in several colours: Slim Box, in white, graphite and the new black finish, and Comfort Box, in white and silver.



Application:

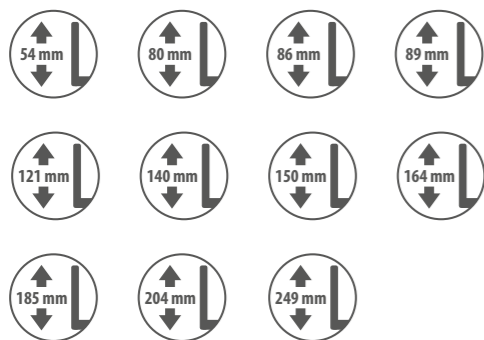


Packaging:



Characteristics:

Drawer side-wall height



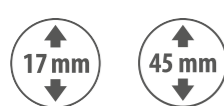
Available nominal lengths of the runner systems



Load capacity in kg



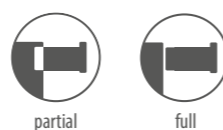
Height of runner



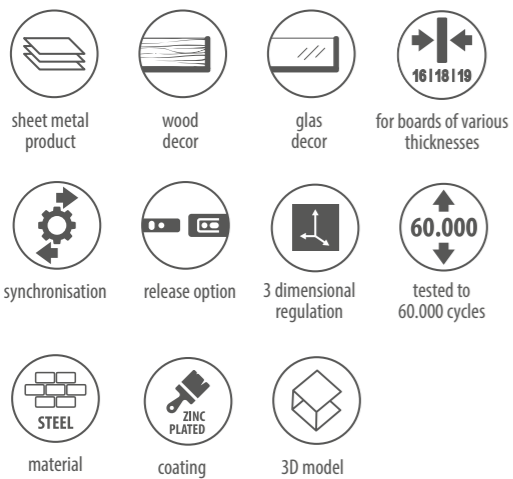
Type of runner



Type of extension



Additional information



Opening/closing options



DRAWER SYSTEMS



Maxima Puro internal drawer H=80



Characteristics



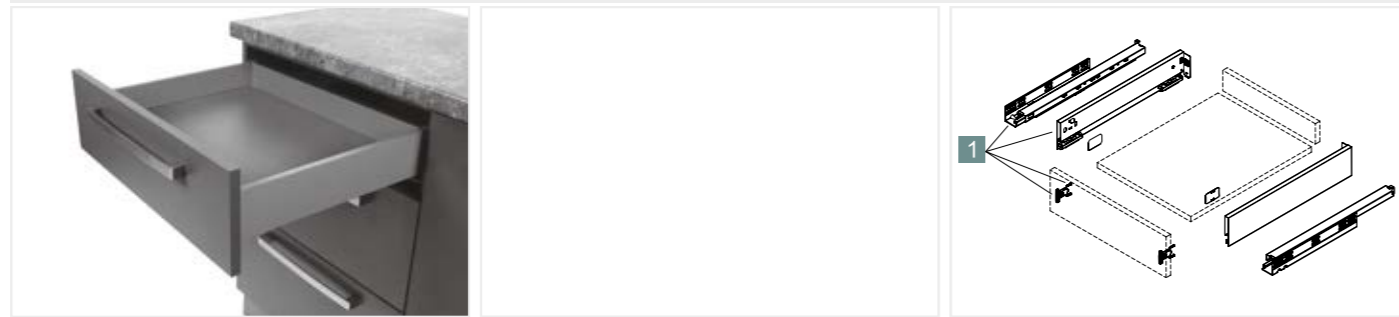
Drawer components

1 Maxima Puro internal drawer

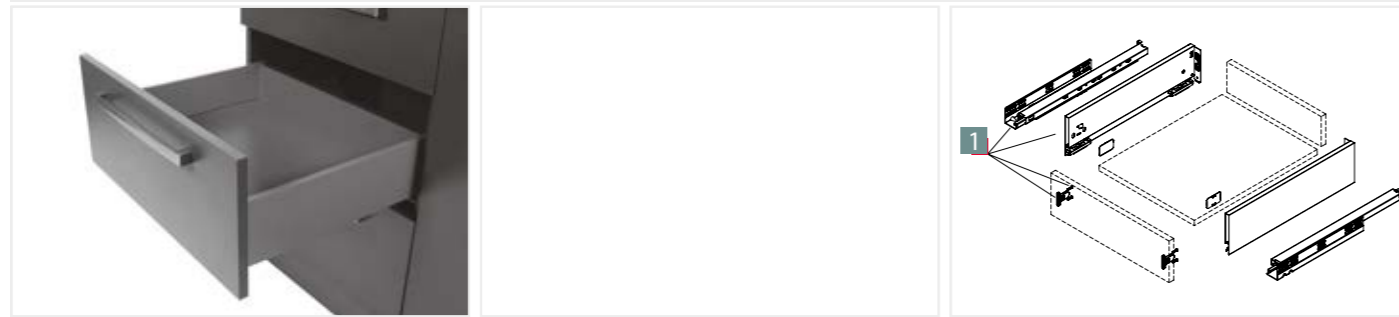
drawer + runner + plugs + front mouting left/right + glass front (inclded in white drawer set), or wood (included in black drawer set) + anti slip mat

width	nominal length of runner	index	colour
600	480	WE35.0002.01	A18, 331
800	480	WE35.0003.01	A18, 331
900	480	WE35.0004.01	A18, 331

Slim Box H=89



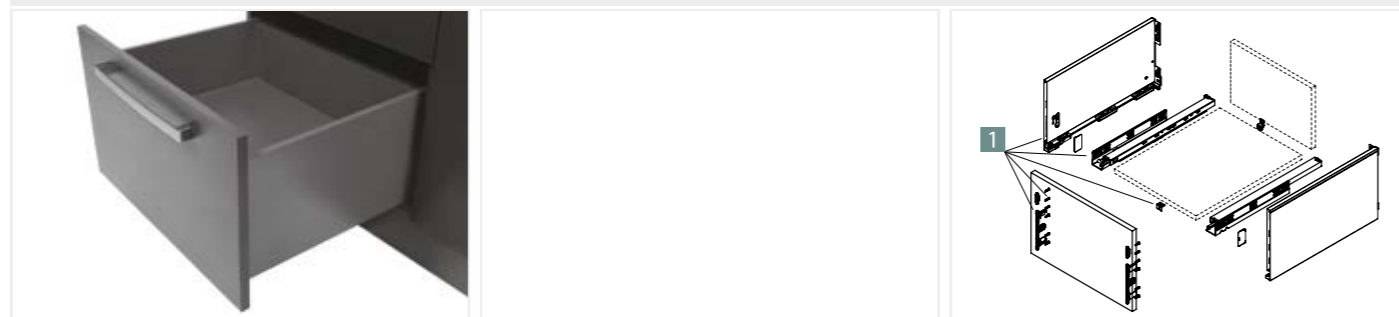
Slim Box H=121



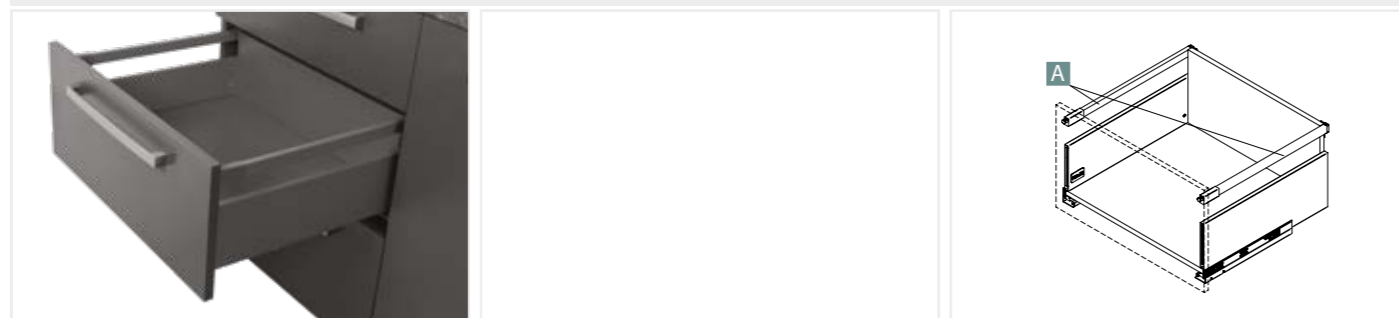
Slim Box H=185 / Slim Box - side decor H=185



Slim Box H=249



Slim Box with side railing H=89, 121, 185, 249



Characteristics



Runner system components

1 Slim Box

runner + side + plugs left/right



soft-close

nominal length of runner	Slim Box H=89		nominal length of runner	Slim Box H=121		nominal length of runner	Slim Box H=185		nominal length of runner	Slim Box H=249	
	index	colour		index	colour		index	colour		index	colour
300	TH03.0839.01	003, 924	300	TH03.0838.01	003, 924	300	TH03.0840.01	003, 924	300	TH03.0907.01	003, 924
350	TH03.0814.01	003, 924	350	TH03.0778.01	003, 924	350	TH03.0779.01	003, 924	350	TH03.0908.01	003, 924
400	TH03.0746.01	003, 924	400	TH03.0738.01	003, 924	400	TH03.0742.01	003, 924	400	TH03.0909.01	003, 924
450	TH03.0747.01	003, 689, 924	450	TH03.0739.01	003, 689, 924	450	TH03.0743.01	003, 689, 924	450	TH03.0910.01	003, 924
500	TH03.0748.01	003, 689, 924	500	TH03.0740.01	003, 689, 924	500	TH03.0744.01	003, 689, 924	500	TH03.0911.01	003, 924
550	TH03.0749.01	003, 689, 924	550	TH03.0741.01	003, 689, 924	550	TH03.0745.01	003, 689, 924	550	TH03.0912.01	003, 924

push-open

nominal length of runner	Slim Box H=89		nominal length of runner	Slim Box H=121		nominal length of runner	Slim Box H=185	
	index	colour		index	colour		index	colour
300	TH03.0913.01	003, 924	300	TH03.0919.01	003, 924	300	TH03.0916.01	003, 924
350	TH03.0914.01	003, 924	350	TH03.0920.01	003, 924	350	TH03.0917.01	003, 924
400	TH03.0915.01	003, 924	400	TH03.0921.01	003, 924	400	TH03.0918.01	003, 924
450	TH03.0750.01	003, 924	450	TH03.0922.01	003, 924	450	TH03.0752.01	003, 924
500	TH03.0751.01	003, 924	500	TH03.0923.01	003, 924	500	TH03.0753.01	003, 924

1 Slim Box H=185 with side decor

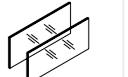
left/right



nominal length of runner	index	colour
450	TH03.0863.01	003, 924
500	TH03.0864.01	003, 924

2 Slim Box - glass side decor

left/right



nominal length of runner	index	colour
450	TN04.6313.15	007, 081
500	TN04.6314.15	007, 081

Additional components

A Rectangular railing

left/right



nominal length of runner	index	colour
400	TH03.0756.01	003, 924
450	TH03.0757.01	003, 924
500	TH03.0758.01	003, 924
550	TH03.0759.01	003, 924



Slim Box drawer with front in black!

Slim Box H=89

A

B

Slim Box H=121

A

B

Slim Box H=185

A

B

Slim Box - side decor H=185

A

B



Characteristics

Runner system components

1 Slim Box
runner + side + plugs left/right

soft-close

nominal length of runner	Slim Box H=89		nominal length of runner	Slim Box H=121		nominal length of runner	Slim Box H=185	
	index	colour		index	colour		index	colour
300	TH03.0839.01	003, 924	300	TH03.0838.01	003, 924	300	TH03.0840.01	003, 924
350	TH03.0814.01	003, 924	350	TH03.0778.01	003, 924	350	TH03.0779.01	003, 924
400	TH03.0746.01	003, 924	400	TH03.0738.01	003, 924	400	TH03.0742.01	003, 924
450	TH03.0747.01	003, 689, 924	450	TH03.0739.01	003, 689, 924	450	TH03.0743.01	003, 689, 924
500	TH03.0748.01	003, 689, 924	500	TH03.0740.01	003, 689, 924	500	TH03.0744.01	003, 689, 924
550	TH03.0749.01	003, 689, 924	550	TH03.0741.01	003, 689, 924	550	TH03.0745.01	003, 689, 924

1 Slim Box H=185 with side decor
left/right

nominal length of runner	index	colour
450	TH03.0863.01	003, 924
500	TH03.0864.01	003, 924

2 Slim Box - glass side decor
left/right

nominal length of runner	index	colour
450	TN04.6313.15	007, 081
500	TN04.6314.15	007, 081

A Components - metal front

3 Universal front mounting
front mounting left / right + bottom support + fastening screws

height	index	colour
89	TH03.1003.05	007, 013, 689
121	TH03.1004.05	007, 013, 689
185	TH03.1005.05	007, 013, 689

B Components - metal front + glass

4A Metal front
L-1100 mm cutting template LW-87

height	index	colour
89	TH03.0562.01	003, 689, 924
121		
185		

4B Front - metal panel
L-1100 mm cutting template LW-87

height	index	colour
89	TH03.0567.01	003, 689, 924
121		
185		

5A Reling frontowy
L-1100 mm cutting template LW-55

index	colour
TH03.0566.01	003, 689, 924

5B Front - glass panel

height	h	KB	index	colour
89	44	600	TN04.1408.15	007, 081
		800	TN04.1409.15	007, 081
121	76	600	TN04.1508.15	007, 081
		800	TN04.1509.15	007, 081
185	140	600	TN04.1608.15	007, 081
		800	TN04.1609.15	007, 081

Comfort Box H=86



Comfort Box H=140



Comfort Box H=164



Comfort Box H=204



Characteristics



Runner system components

1 Comfort Box			2 Back fixing		
runner + sides + plugs + front mounting left/right			left/right		
soft-close					
nominal length of runner	index	colour	height	index	colour
270	TH03.0363.01	002, 003	86	TH03.0360.01	002, 003
300	TH03.0364.01	002, 003	140	TH03.0361.01	002, 003
350	TH03.0365.01	002, 003	164	TH03.0362.01	002, 003
400	TH03.0366.01	002, 003	204	TH03.0330.01	002, 003
450	TH03.0367.01	002, 003			
500	TH03.0368.01	002, 003			
550	TH03.0573.01	002, 003			
push-open					
nominal length of runner	index	colour			
300	TH03.0702.01	002, 003			
350	TH03.0703.01	002, 003			
400	TH03.0704.01	002, 003			
450	TH03.0418.01	002, 003			
500	TH03.0419.01	002, 003			

Alternative components (please select the style of railing - round or rectangular)

3 Upper round railing			3 Upper rectangular railing		
left/right			left/right		
nominal length of runner	index	colour	nominal length of runner	index	colour
270	TH03.0335.01	002, 003	270	TH03.0369.01	002, 003
300	TH03.0336.01	002, 003	300	TH03.0370.01	002, 003
350	TH03.0337.01	002, 003	350	TH03.0371.01	002, 003
400	TH03.0338.01	002, 003	400	TH03.0372.01	002, 003
450	TH03.0339.01	002, 003	450	TH03.0373.01	002, 003
500	TH03.0340.01	002, 003	500	TH03.0374.01	002, 003
550	TH03.0577.01	002, 003	550	TH03.0575.01	002, 003
4 Middle round railing					
left/right			left/right		
nominal length of runner	index	colour	nominal length of runner	index	colour
400	TH03.0334.01	002, 003	400	TH03.0378.01	002, 003
450	TH03.0242.01	002, 003	450	TH03.0379.01	002, 003
500	TH03.0243.01	002, 003	500	TH03.0380.01	002, 003

Comfort Box H=86



Comfort Box H=140



Comfort Box H=164



Comfort Box H=204



Characteristics



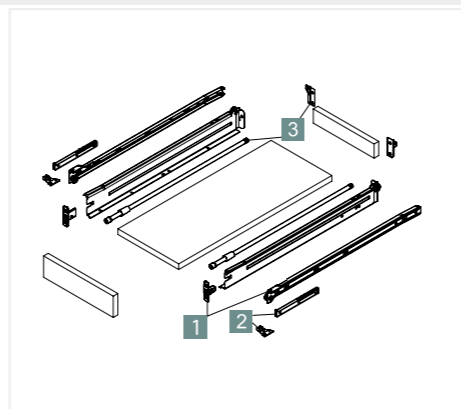
Runner system components

1 Comfort Box			2 Back mounting		
runner + sides + plugs + front mounting left/right			left/right		
soft-close			height		
nominal length of runner	index	colour	86	TH03.0360.01	002, 003
270	TH03.0363.01	002, 003	140	TH03.0361.01	002, 003
300	TH03.0364.01	002, 003	164	TH03.0362.01	002, 003
350	TH03.0365.01	002, 003	204	TH03.0330.01	002, 003
400	TH03.0366.01	002, 003			
450	TH03.0367.01	002, 003			
500	TH03.0368.01	002, 003			
550	TH03.0573.01	002, 003			
			3 Front		
			L=1100 mm cutting template LW-87 mm		
			index		
			TH03.0353.08		
			colour		
			002, 003		

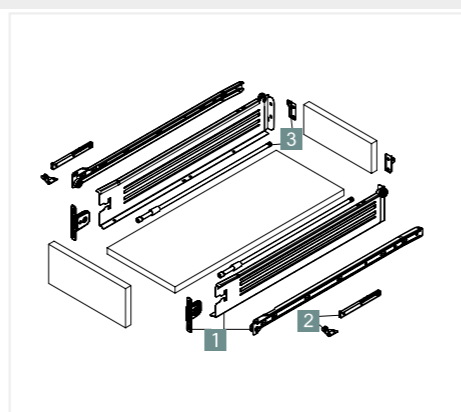
Alternative components (please select the style of railing - round or rectangular)

4 Front fixing			4 Front fixing		
round railing - left/right			rectangular railing - left/right		
height	index	colour	height	index	colour
86	TH03.0355.05	013, 036	86	TH03.0355.05	013, 036
140	TH03.0392.05	013, 036	140	TH03.0392.05	013, 036
164	TH03.0393.05	013, 036	164	TH03.0755.05	013, 036
204	TH03.0356.05	013, 036	204	TH03.0754.05	013, 036
5 Front round railing			5 Front rectangular railing		
L=1100 mm cutting template LW-70 mm			L=1100 mm cutting template LW-70 mm		
index	colour		index	colour	
TH03.0354.01	002, 003		TH03.0566.01	002, 003	
6 Handle					
for round railing					
index	colour				
TH03.0357.05	013, 036				
7 Upper round railing			7 Upper rectangular railing		
left/right			left/right		
nominal length of runner	index	colour	nominal length of runner	index	colour
270	TH03.0335.01	002, 003	270	TH03.0369.01	002, 003
300	TH03.0336.01	002, 003	300	TH03.0370.01	002, 003
350	TH03.0337.01	002, 003	350	TH03.0371.01	002, 003
400	TH03.0338.01	002, 003	400	TH03.0372.01	002, 003
450	TH03.0339.01	002, 003	450	TH03.0373.01	002, 003
500	TH03.0340.01	002, 003	500	TH03.0374.01	002, 003
550	TH03.0577.01	002, 003	550	TH03.0575.01	002, 003
8 Middle round railing			8 Middle rectangular railing		
left/right			left/right		
nominal length of runner	index	colour	nominal length of runner	index	colour
400	TH03.0334.01	002, 003	400	TH03.0378.01	002, 003
450	TH03.0242.01	002, 003	450	TH03.0379.01	002, 003
500	TH03.0243.01	002, 003	500	TH03.0380.01	002, 003

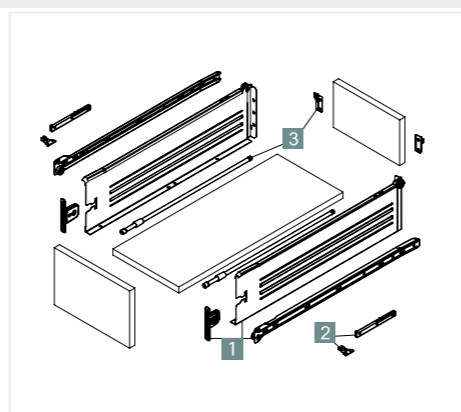
Metal Box H=54



Metal Box H=86



Metal Box H=150



Characteristics



without railing 2D
with railing 3D

Runner system components

1 Metal Box

Runner + side + front mounting left/right



nominal length of runner	Metal Box H=54		nominal length of runner	Metal Box H=86		nominal length of runner	Metal Box H=150	
	index	colour		index	colour		index	colour
400	TH03.0053.01	003	300	TH03.0195.01	003	300	TH03.0219.01	003
450	TH03.0054.01	003	350	TH03.0057.01	002, 003	350	TH03.0196.01	003
500	TH03.0055.01	003	400	TH03.0058.01	002, 003	400	TH03.0049.01	003
			450	TH03.0059.01	002, 003	450	TH03.0050.01	002, 003
			500	TH03.0060.01	002, 003	500	TH03.0051.01	002, 003
			550	TH03.0061.01	003	550	TH03.0220.01	003

Additional components

2 Soft Close damper*

left/right



index	colour
TJ03.9880.05	063

* for damper mounting instructions, please see p. 127 damper for Metal Box drawers from 350 to 550 mm

3 Metal Box railing

left/right



nominal length of runner	index	colour
400	TH03.0294.01	003
450	TH03.0295.01	003
500	TH03.0296.01	003



**INTERNAL ORGANISATION
SYSTEMS FOR DRAWERS**









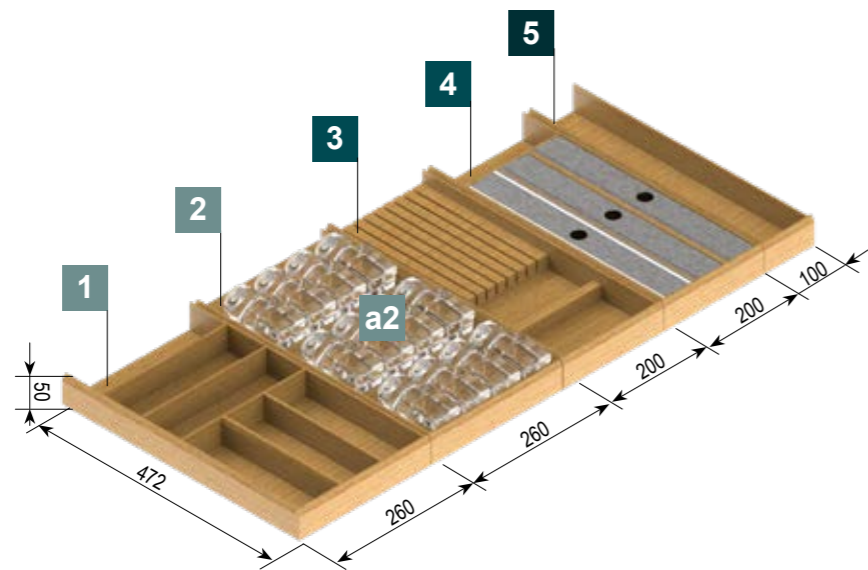
Wooden inserts

- for drawers 500 mm deep
- compatible with Slim Box front and Blum Legrabox
- can be used with other drawer systems, e.g. Comfort Box (perfect fit not guaranteed)
- 5 types of inserts designed to store specific products
- sold individually enabling tailored layout
- if the chosen layout necessitates space between inserts we recommend using our anti-slip mat (p.120)



Basic Components



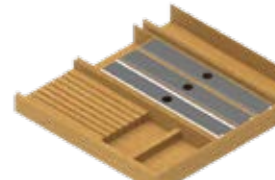















<p>1 Insert for knives and forks</p>  <table border="1"> <tr><td>width</td><td>index</td><td>colour</td></tr> <tr><td>260</td><td>TO01.1008.48</td><td>227</td></tr> </table>	width	index	colour	260	TO01.1008.48	227	<p>2 Insert for spices</p>  <table border="1"> <tr><td>width</td><td>index</td><td>colour</td></tr> <tr><td>260</td><td>TO01.1108.48</td><td>227</td></tr> </table>	width	index	colour	260	TO01.1108.48	227	<p>3 Insert for kitchen knives</p>  <table border="1"> <tr><td>width</td><td>index</td><td>colour</td></tr> <tr><td>200</td><td>TO01.1209.48</td><td>227</td></tr> </table>	width	index	colour	200	TO01.1209.48	227
width	index	colour																		
260	TO01.1008.48	227																		
width	index	colour																		
260	TO01.1108.48	227																		
width	index	colour																		
200	TO01.1209.48	227																		
<p>4 Insert for kitchen parchments</p>  <table border="1"> <tr><td>width</td><td>index</td><td>colour</td></tr> <tr><td>200</td><td>TO01.1309.48</td><td>227</td></tr> </table>	width	index	colour	200	TO01.1309.48	227	<p>5 Universal insert</p>  <table border="1"> <tr><td>width</td><td>index</td><td>colour</td></tr> <tr><td>100</td><td>TO01.1410.48</td><td>227</td></tr> </table>	width	index	colour	100	TO01.1410.48	227	<p>Complementary components</p> <p>a2 Spice jar set</p>  <table border="1"> <tr><td>index</td><td>colour</td></tr> <tr><td>WE04.0082.15</td><td>081</td></tr> </table>	index	colour	WE04.0082.15	081		
width	index	colour																		
200	TO01.1309.48	227																		
width	index	colour																		
100	TO01.1410.48	227																		
index	colour																			
WE04.0082.15	081																			



1 + 2 + 3 + 4 + 5

Example configuration of a set of wooden inserts for a drawer with a width of 1100 mm

Examples of possible layouts with various drawer widths:

600	 <p>1 + 1</p>	 <p>2 + 2</p>	 <p>3 + 4 + 5</p>
700	 <p>1 + 1 + 5</p>	 <p>2 + 3 + 5</p>	 <p>2 + 4 + 5</p>
800	 <p>1 + 1 + 3</p>	 <p>1 + 3 + 4</p>	 <p>1 + 3 + 3</p>
900	 <p>1 + 1 + 3 + 5</p>	 <p>2 + 2 + 4 + 5</p>	 <p>1 + 2 + 4</p>
1000	 <p>1 + 1 + 3 + 4</p>	 <p>2 + 2 + 4 + 5 + 5</p>	 <p>1 + 2 + 3 + 4</p>
1100	 <p>1 + 2 + 3 + 4 + 5</p>	 <p>1 + 1 + 1 + 3</p>	 <p>2 + 2 + 2 + 4</p>



Metal frames

- for Slim Box drawers with depths 450, 500 and 550 mm
- available in 3 widths and 3 lengths
- sold individually enabling tailored configuration
- one divider included, possible to add more dividers
- can accommodate our metal containers (p. 118)
- we recommend using a non-slip mat (p. 120)
- can be used in high drawers with the use of the height booster (p. 122)

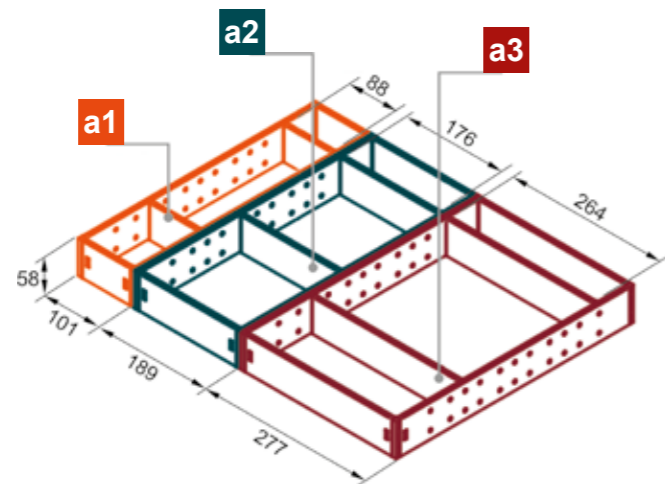


Basic Components

1	Frame 88 mm	2	Frame 176 mm	3	Frame 264 mm																																				
<table border="1"> <thead> <tr> <th>NL</th> <th>index</th> <th>colour</th> </tr> </thead> <tbody> <tr> <td>450</td> <td>TH03.0800.01</td> <td>003, 689, 924</td> </tr> <tr> <td>500</td> <td>TH03.0801.01</td> <td>003, 689, 924</td> </tr> <tr> <td>550</td> <td>TH03.0802.01</td> <td>003, 689, 924</td> </tr> </tbody> </table>		NL	index	colour	450	TH03.0800.01	003, 689, 924	500	TH03.0801.01	003, 689, 924	550	TH03.0802.01	003, 689, 924	<table border="1"> <thead> <tr> <th>NL</th> <th>index</th> <th>colour</th> </tr> </thead> <tbody> <tr> <td>450</td> <td>TH03.0803.01</td> <td>003, 689, 924</td> </tr> <tr> <td>500</td> <td>TH03.0804.01</td> <td>003, 689, 924</td> </tr> <tr> <td>550</td> <td>TH03.0805.01</td> <td>003, 689, 924</td> </tr> </tbody> </table>		NL	index	colour	450	TH03.0803.01	003, 689, 924	500	TH03.0804.01	003, 689, 924	550	TH03.0805.01	003, 689, 924	<table border="1"> <thead> <tr> <th>NL</th> <th>index</th> <th>colour</th> </tr> </thead> <tbody> <tr> <td>450</td> <td>TH03.0806.01</td> <td>003, 689, 924</td> </tr> <tr> <td>500</td> <td>TH03.0807.01</td> <td>003, 689, 924</td> </tr> <tr> <td>550</td> <td>TH03.0808.01</td> <td>003, 689, 924</td> </tr> </tbody> </table>		NL	index	colour	450	TH03.0806.01	003, 689, 924	500	TH03.0807.01	003, 689, 924	550	TH03.0808.01	003, 689, 924
NL	index	colour																																							
450	TH03.0800.01	003, 689, 924																																							
500	TH03.0801.01	003, 689, 924																																							
550	TH03.0802.01	003, 689, 924																																							
NL	index	colour																																							
450	TH03.0803.01	003, 689, 924																																							
500	TH03.0804.01	003, 689, 924																																							
550	TH03.0805.01	003, 689, 924																																							
NL	index	colour																																							
450	TH03.0806.01	003, 689, 924																																							
500	TH03.0807.01	003, 689, 924																																							
550	TH03.0808.01	003, 689, 924																																							

Complementary components

a1	Divider for frame 88 mm	a2	Divider for frame 176 mm	a3	Divider for frame 264 mm																		
<table border="1"> <thead> <tr> <th>width</th> <th>index</th> <th>colour</th> </tr> </thead> <tbody> <tr> <td>88</td> <td>TH03.0788.01</td> <td>003, 689, 924</td> </tr> </tbody> </table>		width	index	colour	88	TH03.0788.01	003, 689, 924	<table border="1"> <thead> <tr> <th>width</th> <th>index</th> <th>colour</th> </tr> </thead> <tbody> <tr> <td>176</td> <td>TH03.0789.01</td> <td>003, 689, 924</td> </tr> </tbody> </table>		width	index	colour	176	TH03.0789.01	003, 689, 924	<table border="1"> <thead> <tr> <th>width</th> <th>index</th> <th>colour</th> </tr> </thead> <tbody> <tr> <td>264</td> <td>TH03.0790.01</td> <td>003, 689, 924</td> </tr> </tbody> </table>		width	index	colour	264	TH03.0790.01	003, 689, 924
width	index	colour																					
88	TH03.0788.01	003, 689, 924																					
width	index	colour																					
176	TH03.0789.01	003, 689, 924																					
width	index	colour																					
264	TH03.0790.01	003, 689, 924																					



1 + 2 + 3

Example configuration of a set of metal frames and dividers
Internal dimensions of the frame

Instructions for completing frame sets:

- determine the width of the cabinet (KB) and the depth of the drawer (NL)
- any combination of complete frames is possible
- the frame combinations shown below are examples

- 1** Frame 88 mm
- 2** Frame 176 mm
- 3** Frame 264 mm



Basic Components

Width of cabinet (KB) do 300 mm	Width of cabinet (KB) do 400 mm	Width of cabinet (KB) do 500 mm																																																															
<table border="1"> <thead> <tr> <th>NL</th> <th>index</th> <th>colour</th> </tr> </thead> <tbody> <tr> <td>450</td> <td>1x TH03.0803.01</td> <td>003, 689, 924</td> </tr> <tr> <td>500</td> <td>1x TH03.0804.01</td> <td>003, 689, 924</td> </tr> <tr> <td>550</td> <td>1x TH03.0805.01</td> <td>003, 689, 924</td> </tr> </tbody> </table>	NL	index	colour	450	1x TH03.0803.01	003, 689, 924	500	1x TH03.0804.01	003, 689, 924	550	1x TH03.0805.01	003, 689, 924	<table border="1"> <thead> <tr> <th>NL</th> <th>index</th> <th>colour</th> </tr> </thead> <tbody> <tr> <td>450</td> <td>1x TH03.0800.01</td> <td>003, 689, 924</td> </tr> <tr> <td></td> <td>1x TH03.0803.01</td> <td>003, 689, 924</td> </tr> <tr> <td>500</td> <td>1x TH03.0801.01</td> <td>003, 689, 924</td> </tr> <tr> <td></td> <td>1x TH03.0804.01</td> <td>003, 689, 924</td> </tr> <tr> <td>550</td> <td>1x TH03.0802.01</td> <td>003, 689, 924</td> </tr> <tr> <td></td> <td>1x TH03.0805.01</td> <td>003, 689, 924</td> </tr> </tbody> </table>	NL	index	colour	450	1x TH03.0800.01	003, 689, 924		1x TH03.0803.01	003, 689, 924	500	1x TH03.0801.01	003, 689, 924		1x TH03.0804.01	003, 689, 924	550	1x TH03.0802.01	003, 689, 924		1x TH03.0805.01	003, 689, 924	<table border="1"> <thead> <tr> <th>NL</th> <th>index</th> <th>colour</th> </tr> </thead> <tbody> <tr> <td>450</td> <td>1x TH03.0800.01</td> <td>003, 689, 924</td> </tr> <tr> <td></td> <td>1x TH03.0806.01</td> <td>003, 689, 924</td> </tr> <tr> <td>500</td> <td>1x TH03.0801.01</td> <td>003, 689, 924</td> </tr> <tr> <td></td> <td>1x TH03.0807.01</td> <td>003, 689, 924</td> </tr> <tr> <td>550</td> <td>1x TH03.0802.01</td> <td>003, 689, 924</td> </tr> <tr> <td></td> <td>1x TH03.0808.01</td> <td>003, 689, 924</td> </tr> </tbody> </table>	NL	index	colour	450	1x TH03.0800.01	003, 689, 924		1x TH03.0806.01	003, 689, 924	500	1x TH03.0801.01	003, 689, 924		1x TH03.0807.01	003, 689, 924	550	1x TH03.0802.01	003, 689, 924		1x TH03.0808.01	003, 689, 924									
NL	index	colour																																																															
450	1x TH03.0803.01	003, 689, 924																																																															
500	1x TH03.0804.01	003, 689, 924																																																															
550	1x TH03.0805.01	003, 689, 924																																																															
NL	index	colour																																																															
450	1x TH03.0800.01	003, 689, 924																																																															
	1x TH03.0803.01	003, 689, 924																																																															
500	1x TH03.0801.01	003, 689, 924																																																															
	1x TH03.0804.01	003, 689, 924																																																															
550	1x TH03.0802.01	003, 689, 924																																																															
	1x TH03.0805.01	003, 689, 924																																																															
NL	index	colour																																																															
450	1x TH03.0800.01	003, 689, 924																																																															
	1x TH03.0806.01	003, 689, 924																																																															
500	1x TH03.0801.01	003, 689, 924																																																															
	1x TH03.0807.01	003, 689, 924																																																															
550	1x TH03.0802.01	003, 689, 924																																																															
	1x TH03.0808.01	003, 689, 924																																																															
Width of cabinet (KB) do 600 mm	Width of cabinet (KB) do 700 mm	Width of cabinet (KB) do 800 mm																																																															
<table border="1"> <thead> <tr> <th>NL</th> <th>index</th> <th>colour</th> </tr> </thead> <tbody> <tr> <td>450</td> <td>1x TH03.0803.01</td> <td>003, 689, 924</td> </tr> <tr> <td></td> <td>1x TH03.0806.01</td> <td>003, 689, 924</td> </tr> <tr> <td>500</td> <td>1x TH03.0804.01</td> <td>003, 689, 924</td> </tr> <tr> <td></td> <td>1x TH03.0807.01</td> <td>003, 689, 924</td> </tr> <tr> <td>550</td> <td>1x TH03.0805.01</td> <td>003, 689, 924</td> </tr> <tr> <td></td> <td>1x TH03.0808.01</td> <td>003, 689, 924</td> </tr> </tbody> </table>	NL	index	colour	450	1x TH03.0803.01	003, 689, 924		1x TH03.0806.01	003, 689, 924	500	1x TH03.0804.01	003, 689, 924		1x TH03.0807.01	003, 689, 924	550	1x TH03.0805.01	003, 689, 924		1x TH03.0808.01	003, 689, 924	<table border="1"> <thead> <tr> <th>NL</th> <th>index</th> <th>colour</th> </tr> </thead> <tbody> <tr> <td>450</td> <td>2x TH03.0803.01</td> <td>003, 689, 924</td> </tr> <tr> <td></td> <td>1x TH03.0806.01</td> <td>003, 689, 924</td> </tr> <tr> <td>500</td> <td>2x TH03.0804.01</td> <td>003, 689, 924</td> </tr> <tr> <td></td> <td>1x TH03.0807.01</td> <td>003, 689, 924</td> </tr> <tr> <td>550</td> <td>2x TH03.0805.01</td> <td>003, 689, 924</td> </tr> <tr> <td></td> <td>1x TH03.0808.01</td> <td>003, 689, 924</td> </tr> </tbody> </table>	NL	index	colour	450	2x TH03.0803.01	003, 689, 924		1x TH03.0806.01	003, 689, 924	500	2x TH03.0804.01	003, 689, 924		1x TH03.0807.01	003, 689, 924	550	2x TH03.0805.01	003, 689, 924		1x TH03.0808.01	003, 689, 924	<table border="1"> <thead> <tr> <th>NL</th> <th>index</th> <th>colour</th> </tr> </thead> <tbody> <tr> <td>450</td> <td>1x TH03.0803.01</td> <td>003, 689, 924</td> </tr> <tr> <td></td> <td>2x TH03.0806.01</td> <td>003, 689, 924</td> </tr> <tr> <td>500</td> <td>1x TH03.0804.01</td> <td>003, 689, 924</td> </tr> <tr> <td></td> <td>2x TH03.0807.01</td> <td>003, 689, 924</td> </tr> <tr> <td>550</td> <td>1x TH03.0805.01</td> <td>003, 689, 924</td> </tr> <tr> <td></td> <td>2x TH03.0808.01</td> <td>003, 689, 924</td> </tr> </tbody> </table>	NL	index	colour	450	1x TH03.0803.01	003, 689, 924		2x TH03.0806.01	003, 689, 924	500	1x TH03.0804.01	003, 689, 924		2x TH03.0807.01	003, 689, 924	550	1x TH03.0805.01	003, 689, 924		2x TH03.0808.01	003, 689, 924
NL	index	colour																																																															
450	1x TH03.0803.01	003, 689, 924																																																															
	1x TH03.0806.01	003, 689, 924																																																															
500	1x TH03.0804.01	003, 689, 924																																																															
	1x TH03.0807.01	003, 689, 924																																																															
550	1x TH03.0805.01	003, 689, 924																																																															
	1x TH03.0808.01	003, 689, 924																																																															
NL	index	colour																																																															
450	2x TH03.0803.01	003, 689, 924																																																															
	1x TH03.0806.01	003, 689, 924																																																															
500	2x TH03.0804.01	003, 689, 924																																																															
	1x TH03.0807.01	003, 689, 924																																																															
550	2x TH03.0805.01	003, 689, 924																																																															
	1x TH03.0808.01	003, 689, 924																																																															
NL	index	colour																																																															
450	1x TH03.0803.01	003, 689, 924																																																															
	2x TH03.0806.01	003, 689, 924																																																															
500	1x TH03.0804.01	003, 689, 924																																																															
	2x TH03.0807.01	003, 689, 924																																																															
550	1x TH03.0805.01	003, 689, 924																																																															
	2x TH03.0808.01	003, 689, 924																																																															
Width of cabinet (KB) do 900 mm	Width of cabinet (KB) do 1000 mm																																																																
<table border="1"> <thead> <tr> <th>NL</th> <th>index</th> <th>colour</th> </tr> </thead> <tbody> <tr> <td>450</td> <td>1x TH03.0800.01</td> <td>003, 689, 924</td> </tr> <tr> <td></td> <td>1x TH03.0803.01</td> <td>003, 689, 924</td> </tr> <tr> <td></td> <td>2x TH03.0806.01</td> <td>003, 689, 924</td> </tr> <tr> <td></td> <td>1x TH03.0801.01</td> <td>003, 689, 924</td> </tr> <tr> <td>500</td> <td>1x TH03.0804.01</td> <td>003, 689, 924</td> </tr> <tr> <td></td> <td>2x TH03.0807.01</td> <td>003, 689, 924</td> </tr> <tr> <td></td> <td>1x TH03.0802.01</td> <td>003, 689, 924</td> </tr> <tr> <td>550</td> <td>1x TH03.0805.01</td> <td>003, 689, 924</td> </tr> <tr> <td></td> <td>2x TH03.0808.01</td> <td>003, 689, 924</td> </tr> </tbody> </table>	NL	index	colour	450	1x TH03.0800.01	003, 689, 924		1x TH03.0803.01	003, 689, 924		2x TH03.0806.01	003, 689, 924		1x TH03.0801.01	003, 689, 924	500	1x TH03.0804.01	003, 689, 924		2x TH03.0807.01	003, 689, 924		1x TH03.0802.01	003, 689, 924	550	1x TH03.0805.01	003, 689, 924		2x TH03.0808.01	003, 689, 924	<table border="1"> <thead> <tr> <th>NL</th> <th>index</th> <th>colour</th> </tr> </thead> <tbody> <tr> <td>450</td> <td>2x TH03.0803.01</td> <td>003, 689, 924</td> </tr> <tr> <td></td> <td>2x TH03.0806.01</td> <td>003, 689, 924</td> </tr> <tr> <td>500</td> <td>2x TH03.0804.01</td> <td>003, 689, 924</td> </tr> <tr> <td></td> <td>2x TH03.0807.01</td> <td>003, 689, 924</td> </tr> <tr> <td>550</td> <td>2x TH03.0805.01</td> <td>003, 689, 924</td> </tr> <tr> <td></td> <td>2x TH03.0808.01</td> <td>003, 689, 924</td> </tr> </tbody> </table>	NL	index	colour	450	2x TH03.0803.01	003, 689, 924		2x TH03.0806.01	003, 689, 924	500	2x TH03.0804.01	003, 689, 924		2x TH03.0807.01	003, 689, 924	550	2x TH03.0805.01	003, 689, 924		2x TH03.0808.01	003, 689, 924	<p>NL - Nominal length of runner KB - External cabinet width</p>												
NL	index	colour																																																															
450	1x TH03.0800.01	003, 689, 924																																																															
	1x TH03.0803.01	003, 689, 924																																																															
	2x TH03.0806.01	003, 689, 924																																																															
	1x TH03.0801.01	003, 689, 924																																																															
500	1x TH03.0804.01	003, 689, 924																																																															
	2x TH03.0807.01	003, 689, 924																																																															
	1x TH03.0802.01	003, 689, 924																																																															
550	1x TH03.0805.01	003, 689, 924																																																															
	2x TH03.0808.01	003, 689, 924																																																															
NL	index	colour																																																															
450	2x TH03.0803.01	003, 689, 924																																																															
	2x TH03.0806.01	003, 689, 924																																																															
500	2x TH03.0804.01	003, 689, 924																																																															
	2x TH03.0807.01	003, 689, 924																																																															
550	2x TH03.0805.01	003, 689, 924																																																															
	2x TH03.0808.01	003, 689, 924																																																															



Metal containers for frames

- containers intended for use in the metal frame system of Slim Boxes
- made of INOX steel
- height: 58 mm
- available in 3 lengths: 88, 176 and 264 mm
- sold individually
- enabling tailored configuration
- the dimensions given in the tables can be used as a guide



Basic Components

A Container 88 mm			B Container 176 mm			C Container 264 mm		
w x d x h	index	colour	w x d x h	index	colour	w x d x h	index	colour
88 x 88 x 58	TH03.0797.08	A62	88 x 176 x 58	TH03.0798.08	A62	88 x 264 x 58	TH03.0799.08	A62

Complementary components

1 Frame 88 mm <table border="1"> <tr><td>NL</td><td>index</td><td>colour</td></tr> <tr><td>450</td><td>1x TH03.0797.08 1x TH03.0799.08</td><td>A62 A62</td></tr> </table>			NL	index	colour	450	1x TH03.0797.08 1x TH03.0799.08	A62 A62	2 Frame 176 mm <table border="1"> <tr><td>NL</td><td>index</td><td>colour</td></tr> <tr><td>450</td><td>1x TH03.0798.08 2x TH03.0799.08</td><td>A62 A62</td></tr> </table>			NL	index	colour	450	1x TH03.0798.08 2x TH03.0799.08	A62 A62	3 Frame 264 mm <table border="1"> <tr><td>NL</td><td>index</td><td>colour</td></tr> <tr><td>450</td><td>4x TH03.0799.08</td><td>A62</td></tr> </table>			NL	index	colour	450	4x TH03.0799.08	A62
NL	index	colour																								
450	1x TH03.0797.08 1x TH03.0799.08	A62 A62																								
NL	index	colour																								
450	1x TH03.0798.08 2x TH03.0799.08	A62 A62																								
NL	index	colour																								
450	4x TH03.0799.08	A62																								
1 Frame 88 mm <table border="1"> <tr><td>NL</td><td>index</td><td>colour</td></tr> <tr><td>500</td><td>1x TH03.0798.08 1x TH03.0799.08</td><td>A62 A62</td></tr> </table>			NL	index	colour	500	1x TH03.0798.08 1x TH03.0799.08	A62 A62	2 Frame 176 mm <table border="1"> <tr><td>NL</td><td>index</td><td>colour</td></tr> <tr><td>500</td><td>2x TH03.0798.08 2x TH03.0799.08</td><td>A62 A62</td></tr> </table>			NL	index	colour	500	2x TH03.0798.08 2x TH03.0799.08	A62 A62	3 Frame 264 mm <table border="1"> <tr><td>NL</td><td>index</td><td>colour</td></tr> <tr><td>500</td><td>5x TH03.0799.08</td><td>A62</td></tr> </table>			NL	index	colour	500	5x TH03.0799.08	A62
NL	index	colour																								
500	1x TH03.0798.08 1x TH03.0799.08	A62 A62																								
NL	index	colour																								
500	2x TH03.0798.08 2x TH03.0799.08	A62 A62																								
NL	index	colour																								
500	5x TH03.0799.08	A62																								
1 Frame 88 mm <table border="1"> <tr><td>NL</td><td>index</td><td>colour</td></tr> <tr><td>550</td><td>1x TH03.0797.08 2x TH03.0798.08</td><td>A62 A62</td></tr> </table>			NL	index	colour	550	1x TH03.0797.08 2x TH03.0798.08	A62 A62	2 Frame 176 mm <table border="1"> <tr><td>NL</td><td>index</td><td>colour</td></tr> <tr><td>550</td><td>2x TH03.0798.08 2x TH03.0799.08</td><td>A62 A62</td></tr> </table>			NL	index	colour	550	2x TH03.0798.08 2x TH03.0799.08	A62 A62	3 Frame 264 mm <table border="1"> <tr><td>NL</td><td>index</td><td>colour</td></tr> <tr><td>550</td><td>5x TH03.0799.08</td><td>A62</td></tr> </table>			NL	index	colour	550	5x TH03.0799.08	A62
NL	index	colour																								
550	1x TH03.0797.08 2x TH03.0798.08	A62 A62																								
NL	index	colour																								
550	2x TH03.0798.08 2x TH03.0799.08	A62 A62																								
NL	index	colour																								
550	5x TH03.0799.08	A62																								

COATING CODE: A62 SILVER INOX





UNI and PRO - drawer inserts

- silver and white inserts
- made of smooth, glossy plastic
- for drawers on 450 mm and 500 mm runners
- for drawers 300-900 mm wide
- can be individually cut to size



Drawer insert UNI

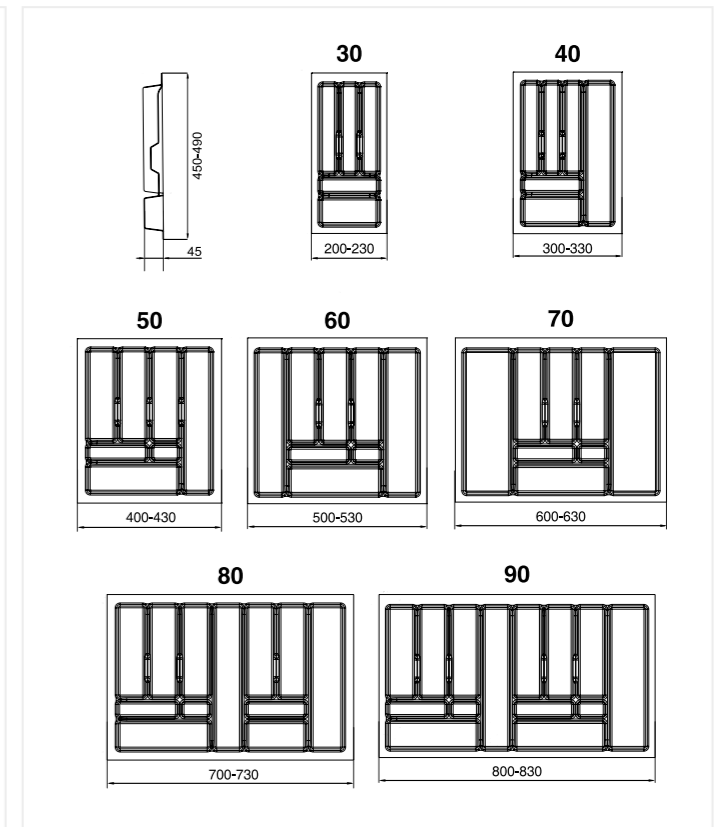
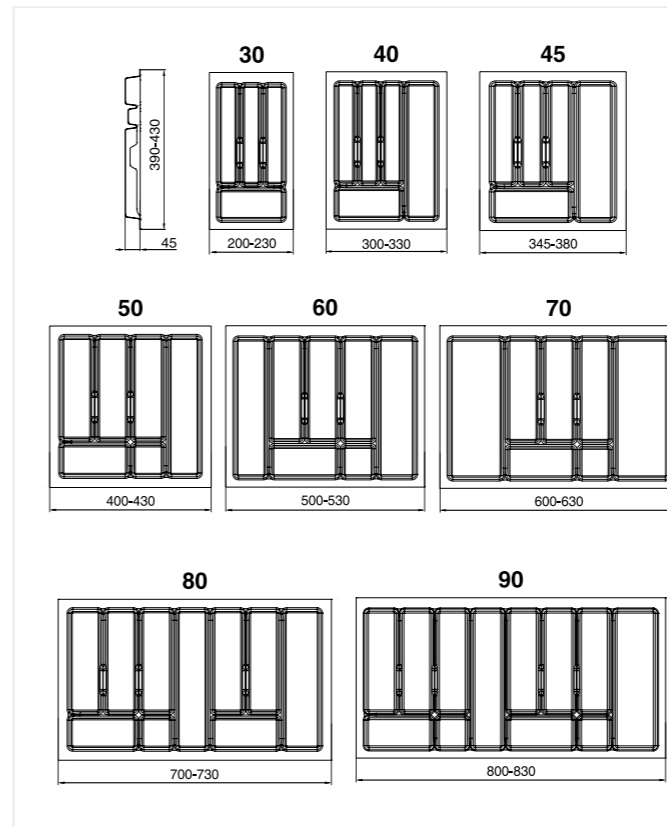
for drawers with 450 mm runners

outside width of cabinet	index	colour
300	TE13.2501.05	013, 036
400	TE13.2502.05	013, 036
450	TE13.2515.05	013, 036
500	TE13.2503.05	013, 036
600	TE13.2504.05	013, 036
700	TE13.2558.05	013, 036
800	TE13.2505.05	013, 036
900	TE13.2506.05	013, 036

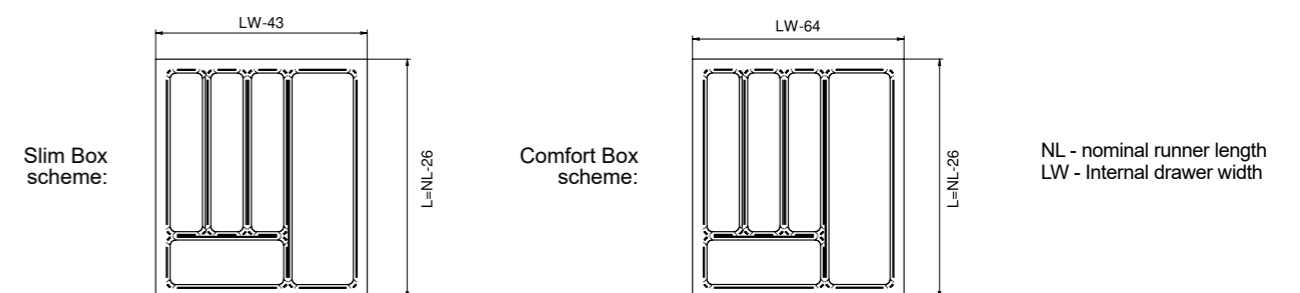
Drawer insert PRO

for drawers with 500 mm runners

outside width of cabinet	index	colour
300	TE13.2664.05	013, 036
400	TE13.2665.05	013, 036
500	TE13.2666.05	013, 036
600	TE13.2667.05	013, 036
700	TE13.2671.05	013, 036
800	TE13.2668.05	013, 036
900	TE13.2669.05	013, 036



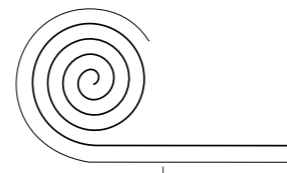
Examples of cutting Slim Box and Comfort Box drawer inserts



Anti-slip mat



- available in 4 colors
- prevents the dishes from shifting when opening and closing drawers
- facilitates cleaning
- protects the drawer against dirt and scratching
- quiets the sound of items being placed in the drawer
- can be cut to size
- improves the interior aesthetics of the drawer



dimensions	index	colour
5000 x 474	TE13.1201.05	007, 013, 036, 061
5000 x 524	TE13.1202.05	007, 013, 036, 061

Internal organisation components

1 Metal frames

set
Information about how to complete this product on p.121



dimensions	NL	index	colour
88	450	TH03.0800.01	003, 689, 924
	500	TH03.0801.01	003, 689, 924
	550	TH03.0802.01	003, 689, 924
176	450	TH03.0803.01	003, 689, 924
	500	TH03.0804.01	003, 689, 924
	550	TH03.0805.01	003, 689, 924
264	450	TH03.0806.01	003, 689, 924
	500	TH03.0807.01	003, 689, 924
	550	TH03.0808.01	003, 689, 924

2 Divider for metal frames

pcs
Information relating to this product on p.120



dimensions	index	colour
88	TH03.0788.01	003, 689, 924
176	TH03.0789.01	003, 689, 924
264	TH03.0790.01	003, 689, 924

3 Metal container

pcs
Information relating to this product on p.124



dimensions	index	colour
88	TH03.0797.08	A62
176	TH03.0798.08	A62
264	TH03.0799.08	A62

4 Booster for metal frames

2 pcs / set
frame 88 - 1 set, frame 176 and 264 - 2 sets



index	colour
WE33.0003.01	003, 924

5 Rectangular railing T connector

pcs



index	colour
TH03.0398.05	013, 049

6 Rectangular railing cross connector

pcs



index	colour
TH03.0399.05	013, 049, 689

7 Rectangular railing L-1100

Template for cutting LW - 60 mm (for width)
NL - 35 mm (for length)



index	colour
TH03.0400.01	003, 689, 924

8 End cap for rectangular railing

pcs



index	colour
TH03.0401.05	013, 049, 689

9 Rectangular railing connector II

pcs



index	colour
TH03.0842.05	007, 013, 689

10 Metal divider

pcs



index	colour
TH03.0761.01	003, 924

11 Plastic divider

pcs



index	colour
TH03.0760.05	013, 036

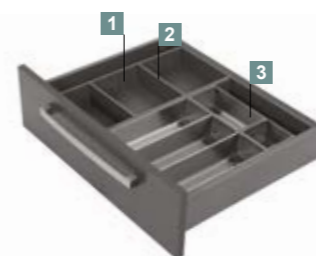
12 Plate holder

pcs

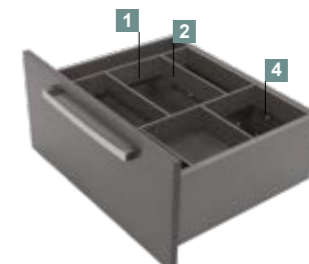


index	colour
TH03.0387.02	012

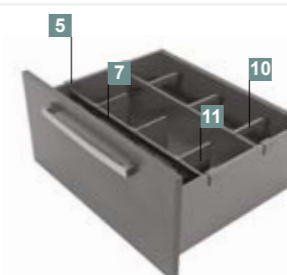
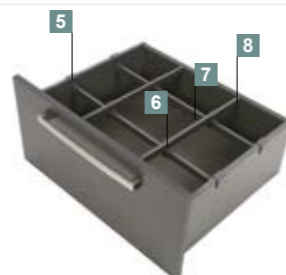
Components for drawers H=89



Components for drawers H=121, 185, 249



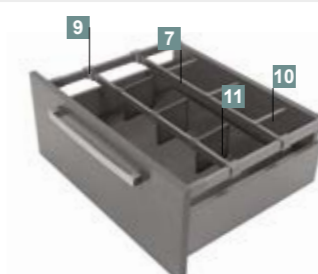
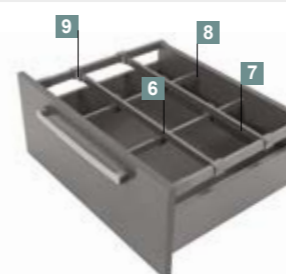
Components for drawers H=121, 185, 249



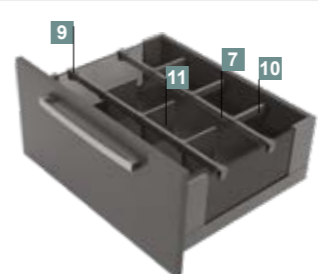
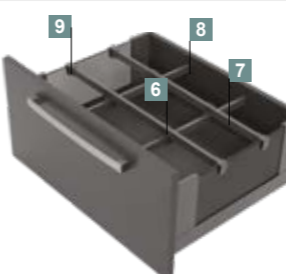
Components for drawers H=185, 249



Components for drawers with railing H=89, 121, 185, 249



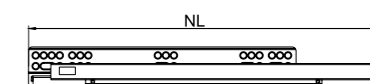
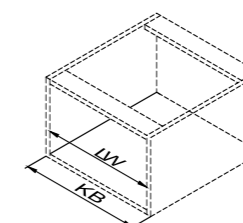
Components for drawers with glass sides H=185



NL - Nominal runner length

LW - Internal cabinet width

KB - External cabinet width

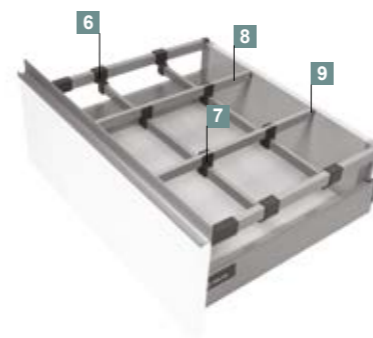
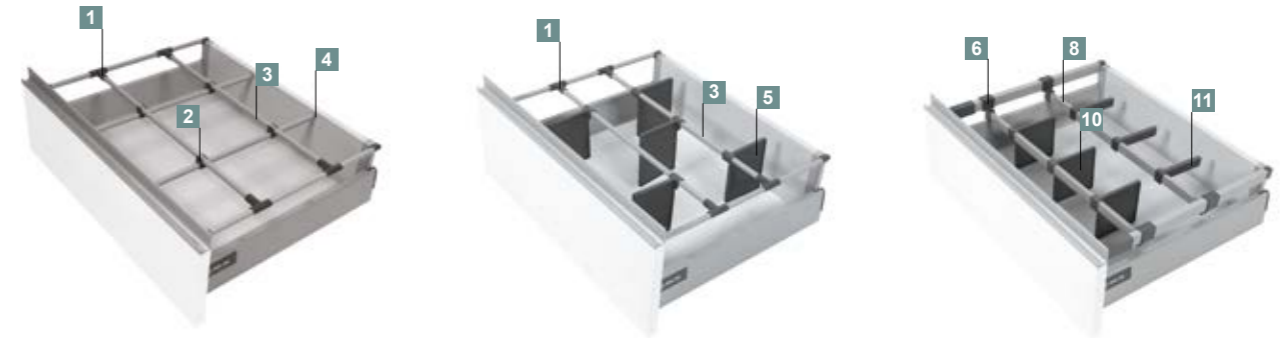


Internal organisation components

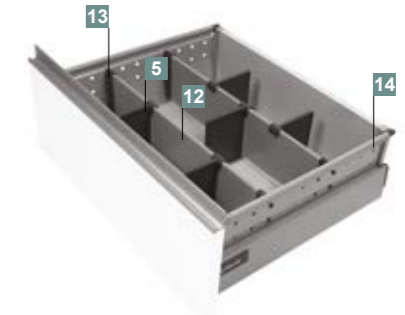
1 Round railing T connector	
pcs	
index	colour
TH03.0394.05	013, 049
2 Round railing cross connector	
pcs	
index	colour
TH03.0395.05	013, 049
3 Round railing L-1100	
Template for cutting LW - 60 mm (for width) NL - 35 mm (for length)	
index	colour
TH03.0354.01	002, 003
4 End cap for round railing	
pcs	
index	colour
TH03.0397.05	013, 049
5 Cross panel divider (round railing)	
pcs	
index	colour
TH03.0325.01	002, 003
6 Rectangular railing T connector	
pcs	
index	colour
TH03.0398.05	013, 049
7 Rectangular railing cross connector	
pcs	
index	colour
TH03.0399.05	013, 049
8 Rectangular railing L-1100	
Template for cutting LW - 60 mm (for width) NL - 35 mm (for length)	
index	colour
TH03.0400.01	002, 003
9 End cap for rectangular railing	
pcs	
index	colour
TH03.0401.05	013, 049
10 Plastic divider (rectangular railing)	
pcs	
index	colour
TH03.0760.05	013, 036
11 Metal divider (rectangular railing)	
pcs	
index	colour
TH03.0761.01	002, 003

12 Cross panel L-1100		
Template for cutting KB-137 mm		
index	colour	
TH03.0407.01	002, 003	
13 End cap for cross panel		
Perforated panel left/right		
index	colour	
TH03.0408.05	013, 049	
14 Perforated side panel H=164		
left/right		
length	index	colour
400	TH03.0404.01	002, 003
450	TH03.0405.01	002, 003
500	TH03.0406.01	002, 003
15 Perforated side panel H=204		
left/right		
length	index	colour
300	TH03.0382.01	002, 003
350	TH03.0383.01	002, 003
400	TH03.0384.01	002, 003
450	TH03.0321.01	002, 003
500	TH03.0322.01	002, 003
550	TH03.0579.01	002, 003
16 Clip for glass side panel		
H=204 left/right, front/back		
index	colour	
TH03.0410.05	013, 049	
17 Glass side panel H=204		
left/right, front/back		
length	index	colour
500	TN04.1707.15	081
18 End cap for cross panel		
Glass panel left/right		
index	colour	
TH03.0409.05	013, 049	
19 Plate holder		
index	colour	
TH03.0387.02	012	

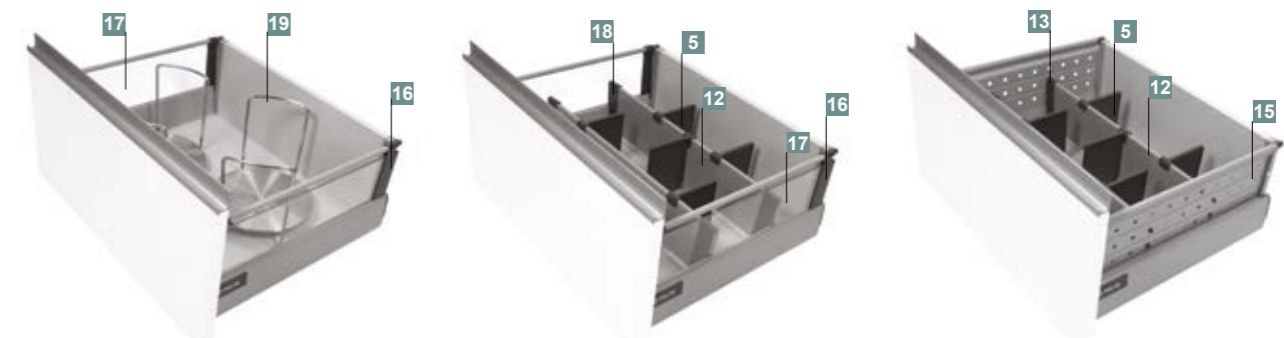
Components for drawers H=140, H=164, H=204



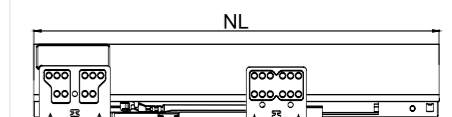
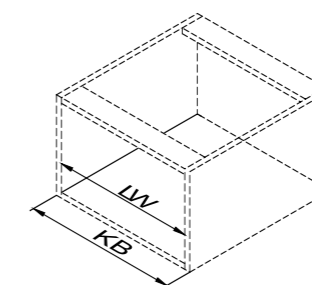
Components for drawers H=140



Components for drawers H=204



NL - Nominal runner length
LW - Internal cabinet width
KB - External cabinet width



Stabiliser for Comfort Box

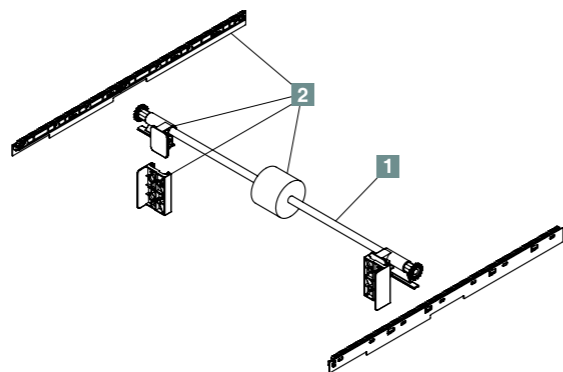
- compatible with the Comfort Box runner system with soft close and push-open
- side stabilisation for drawers up to 1000 mm

1 Comfort Box stabiliser

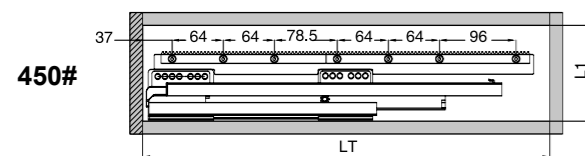
railing		
Length of railing	index	colour
1000	TH03.0429.07	012

2 Comfort Box stabiliser

Mounting set		
Length of railing	index	colour
450	TH03.0427.08	130
500	TH03.0428.08	130



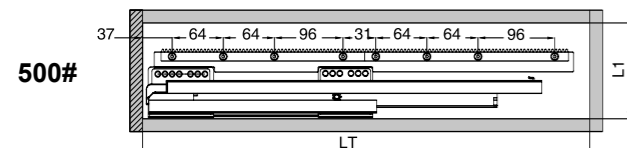
Casing Measurements



NL - Nominal runner length
LW - Internal cabinet width
LT - Casing Depth
L1 - Casing height

Drawers with front

1. LT = NL + 60 mm
2. L1 = 135 mm

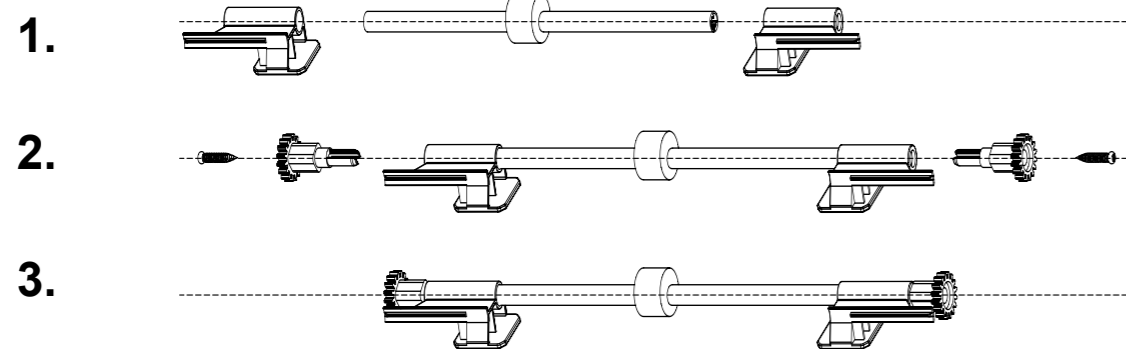


Internal drawers

1. LT = NL + 69 mm
2. L1 = 135 mm

Guide for cut-to-size railing LW-56 mm

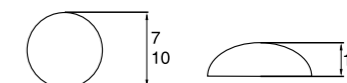
Casing Measurements



Silicone Bumper „X”



- self-adhesive
- cushions and dampens closing
- transparent colour
- 1 sheet = 50 pcs.



dimensions	index	colour
7 x 1,5	TH02.5331.05	081
10 x 1,5	TH02.5333.05	081

Soft-close damper

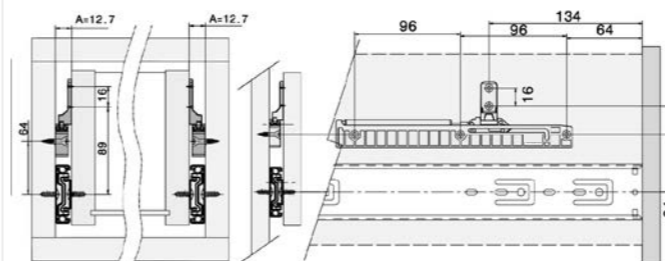


- Left and right included in the set
- Soft close damper installation instructions for ball-bearing and roller runners, and metal boxes

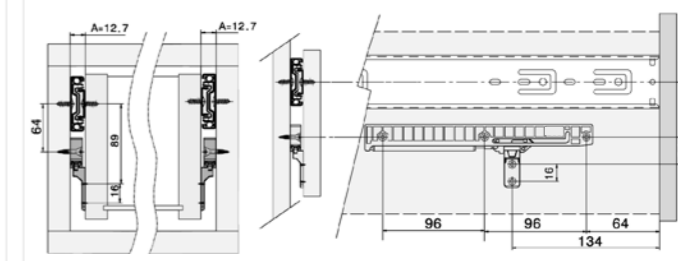
index	colour
TJ03.9880.05	063

Installation information

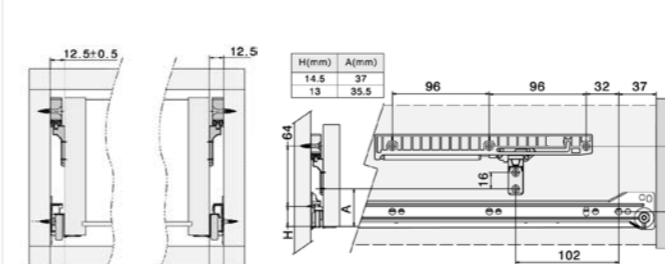
Soft-close damper installation for ball-bearing runners (A=12,7 mm)



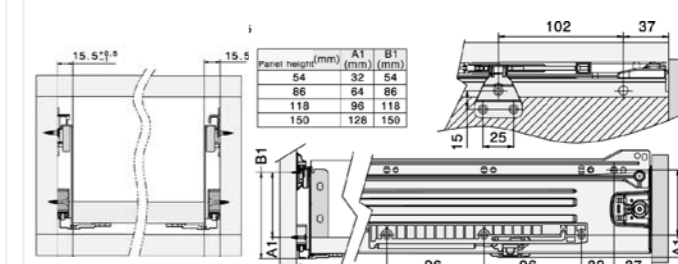
Soft-close damper installation for ball-bearing runners (A=12,7 mm)



Soft-close damper installation for roller runners



Soft-close damper installation for Metal Boxes



Assembly template set for Comfort Box / Slim Box / Comfort Slide 3D



- large, medium and small template included
- universal - adapted to the Slim Box drawer systems (H = 89, 121, 185 mm), Comfort Box (H = 86, 140, 164, 204 mm) and Comfort Slide 3D runner system
- large template to aid installation of Slim Box, Comfort Box, Comfort Slide 3D 40 kg runner systems
- medium template to aid assembly of Comfort Box and Slim Box systems (H = 284 mm and H = 355 mm)
- small template to aid assembly of Comfort Box and Slim Box systems (H = 140 mm)

index	colour
WH02.2511.01	934

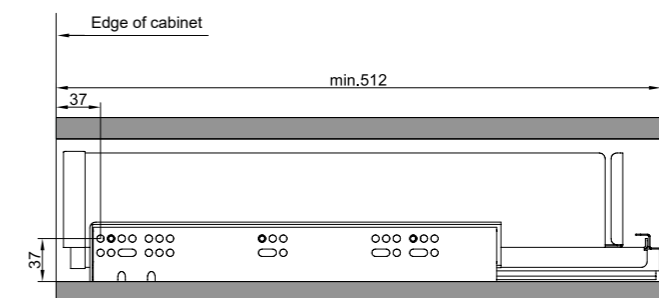
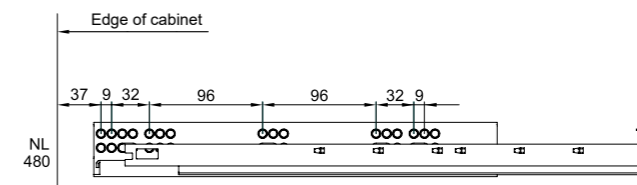
Flexible siphon housing



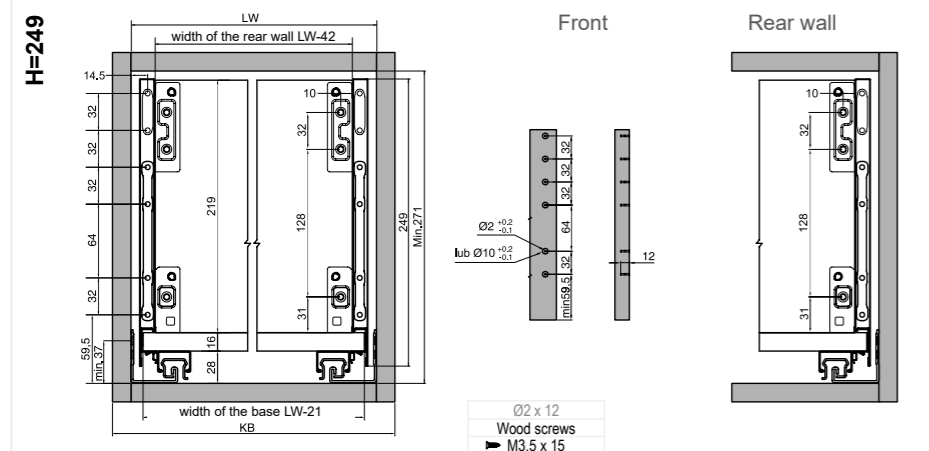
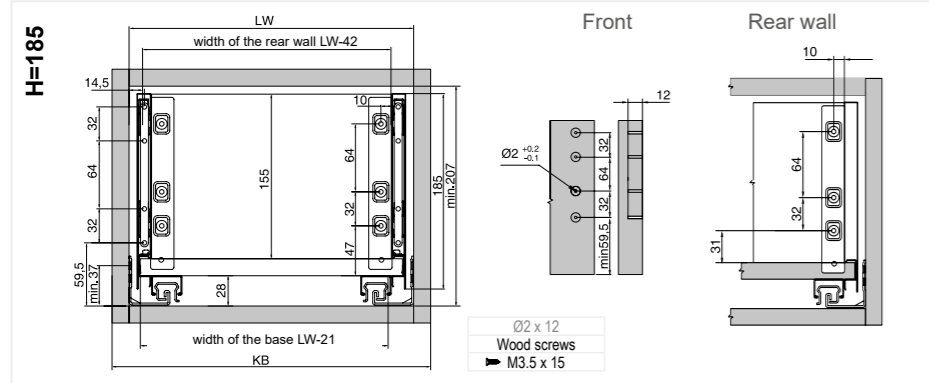
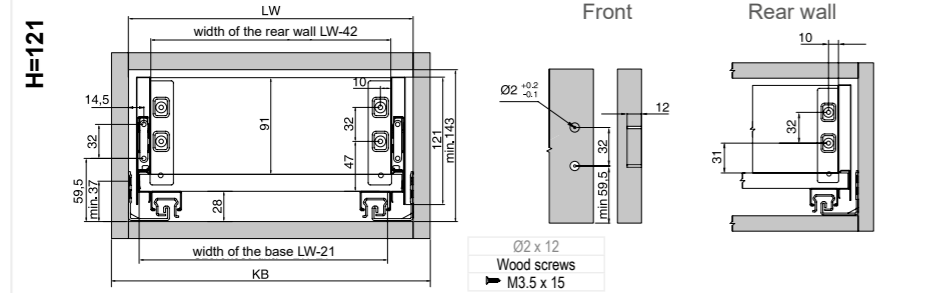
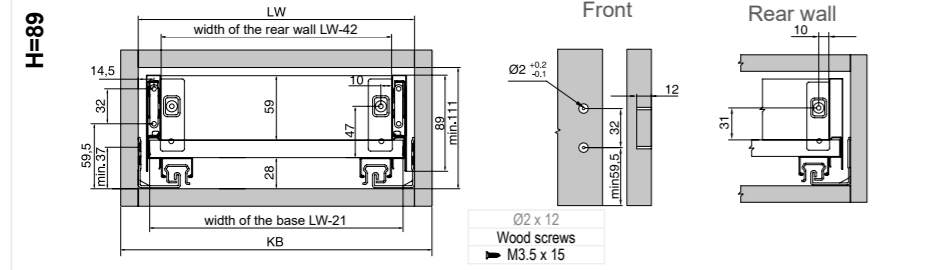
- for use in drawers with a depth of NL = 270 - 650
- designed for drawers with a bottom made of 16 mm board
- compatible with high and low drawers from all manufacturers
- made of flexible material, facilitating an easy fit to the drawer can be cut-to-size and adapted for various types of back fixing
- 3 colours to choose from: white, silver and graphite
- additional product information can be found in the *Bathroom* section of the catalogue

index	colour
TH02.8202.05	007, 013, 049

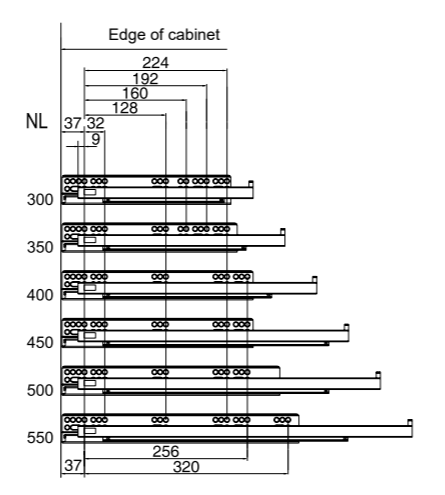
Casing Measurements



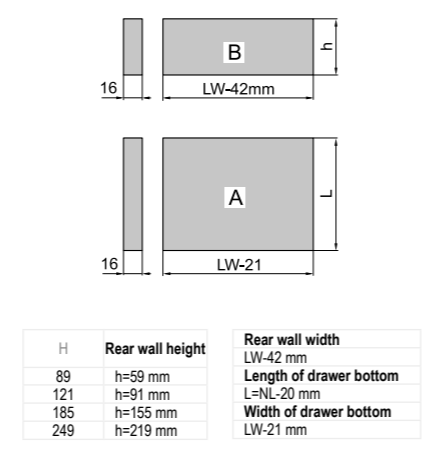
Casing measurements / front and rear wall installation



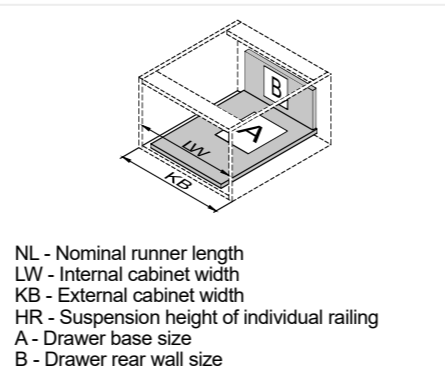
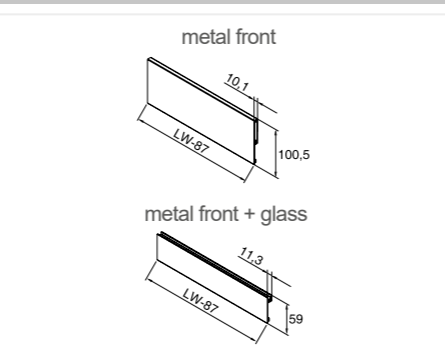
Mounting position of the runner to the cabinet



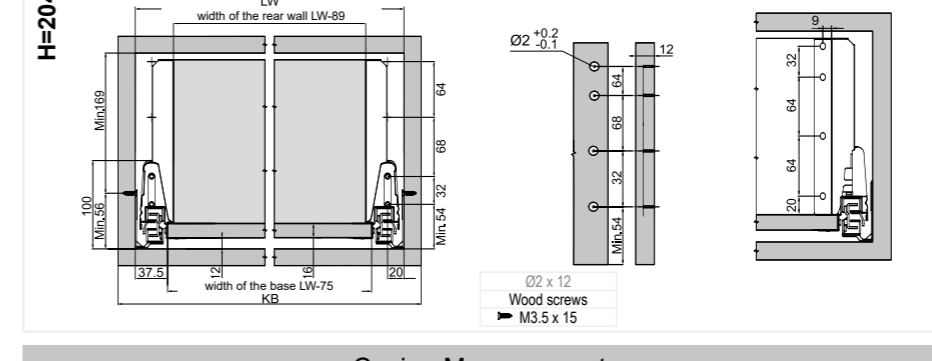
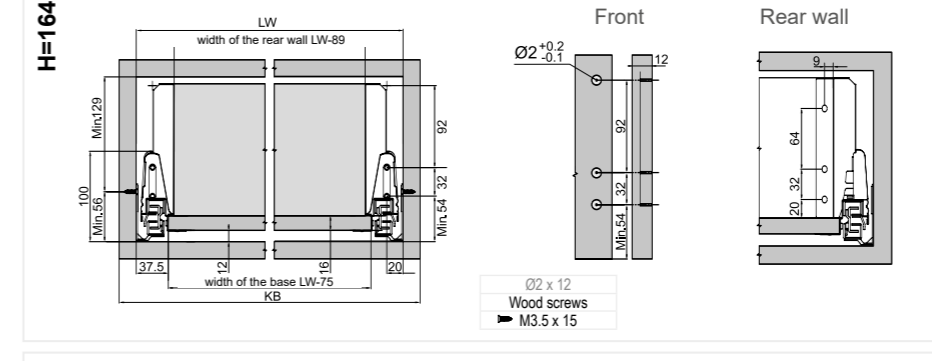
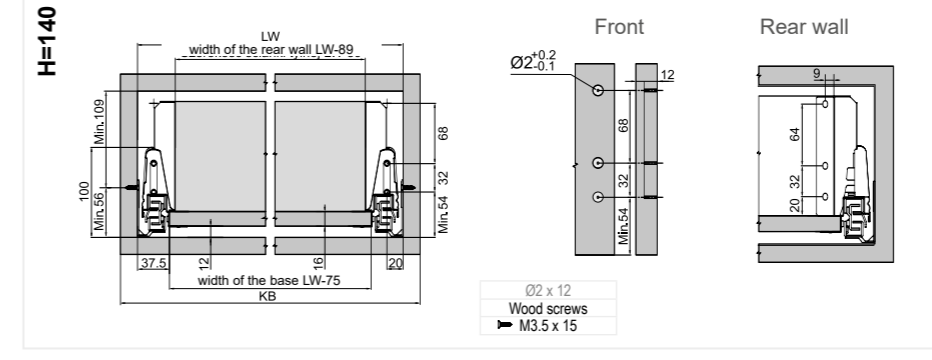
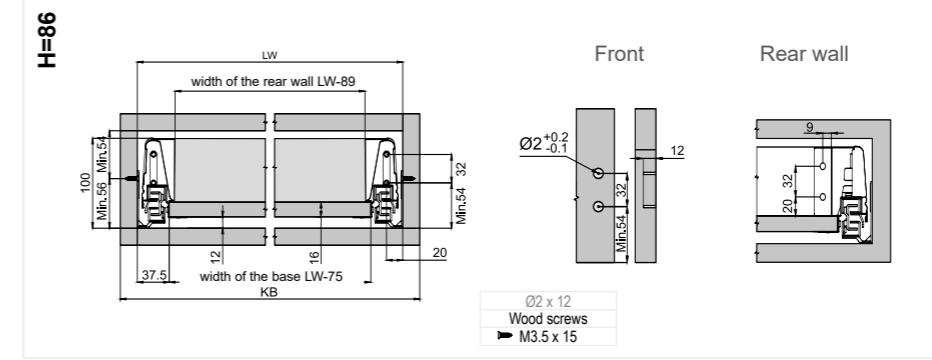
Base and rear wall measurements for 16 mm boards



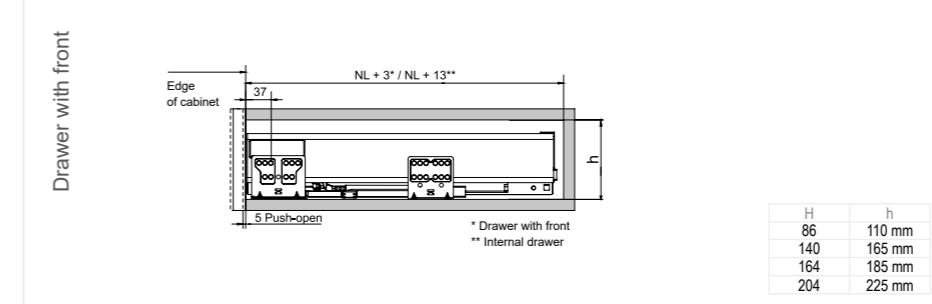
Cut-to-size front for internal drawers



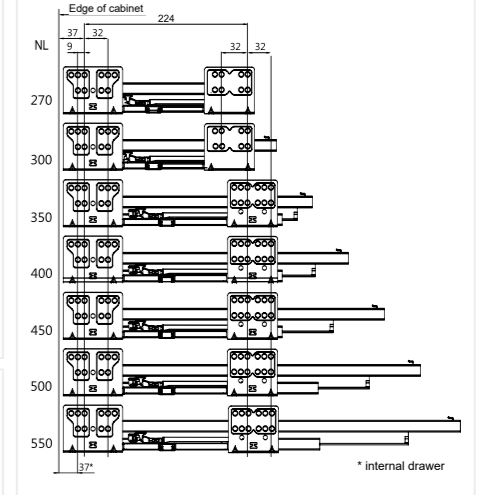
Casing measurements / front and rear wall installation



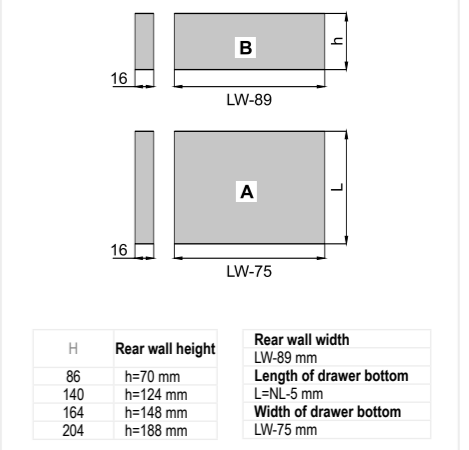
Casing Measurements



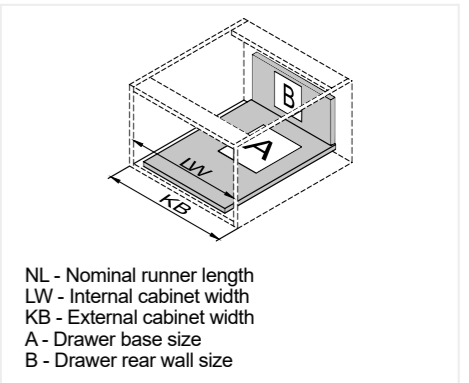
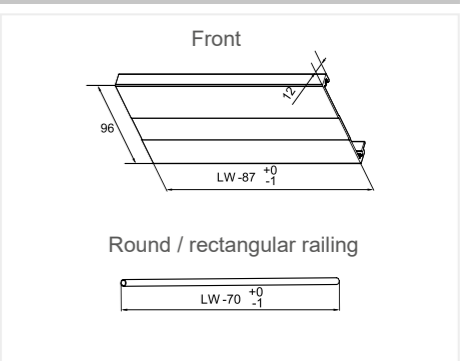
Mounting position of the runner to the cabinet



Base and rear wall measurements for 16 mm boards

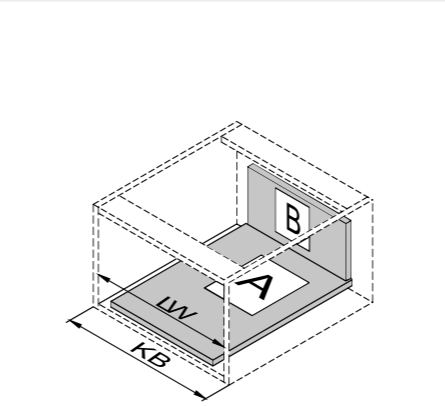
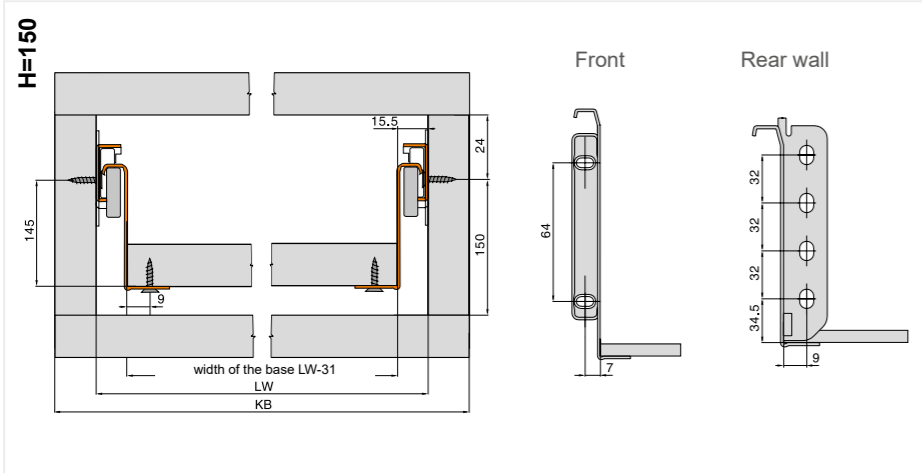
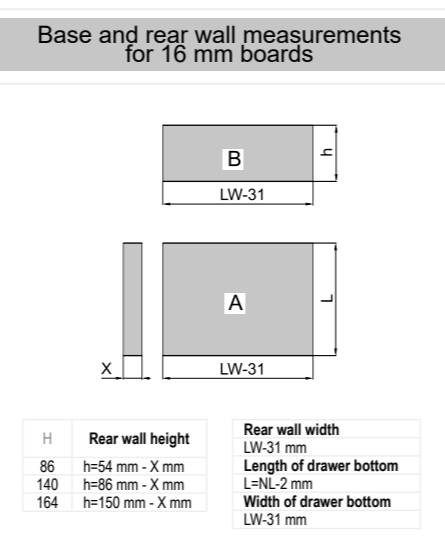
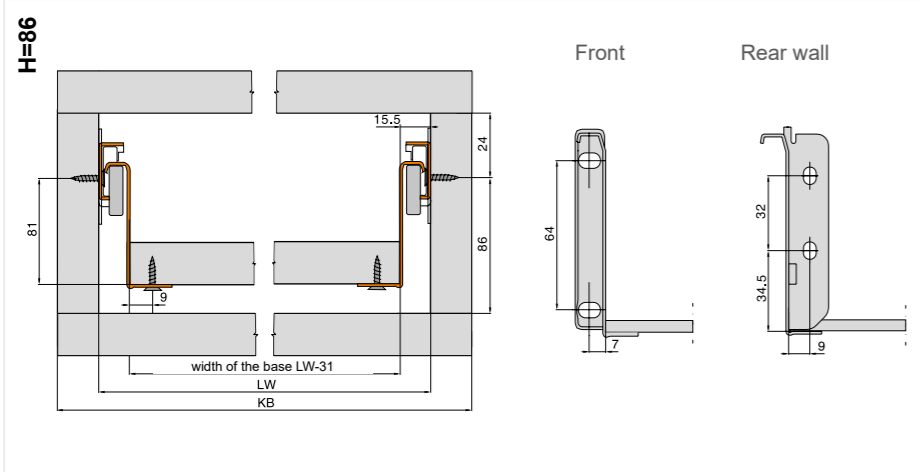
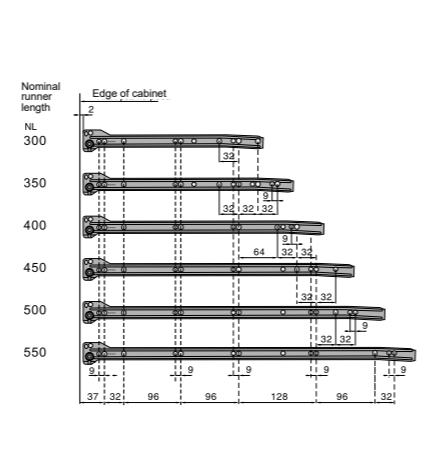
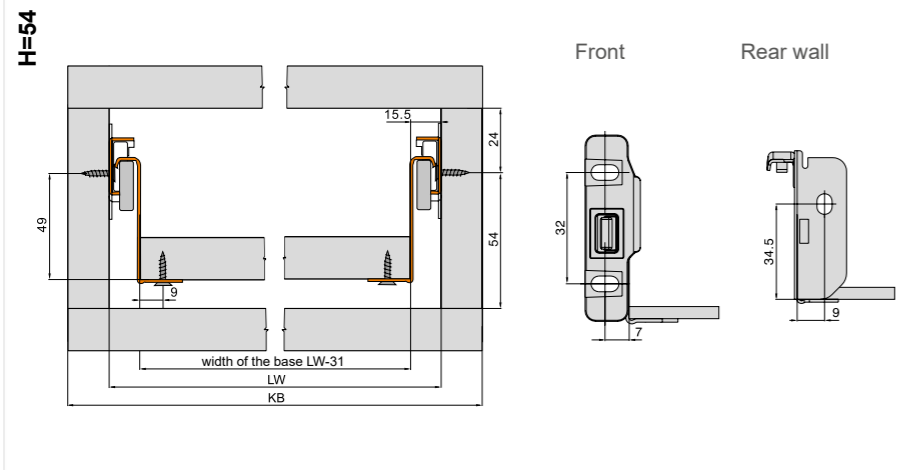


Cut-to-size front for internal drawers

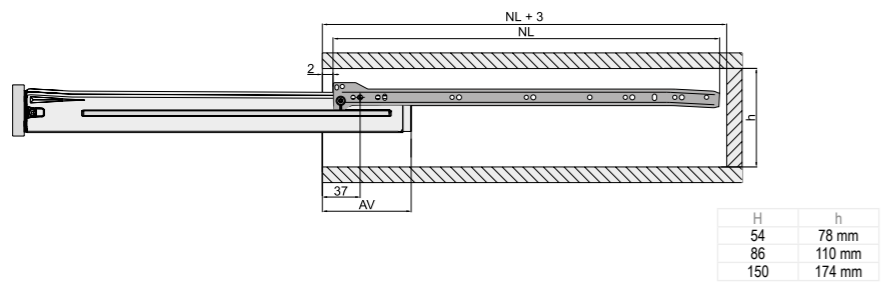


Casing Measurements / front and rear wall installation

Mounting position of the runner to the cabinet



Casing Measurements



- NL - Nominal runner length
- LW - Internal cabinet width
- KB - External cabinet width
- AV - Runners extension loss
- A - Drawer base size
- B - Drawer rear wall size
- X - Drawer bottom thickness

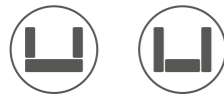


RUNNER SYSTEMS

Roller Runner
Basic



Application



Packing



Characteristics



Ball bearing runner H17



Application



Packing



Characteristics

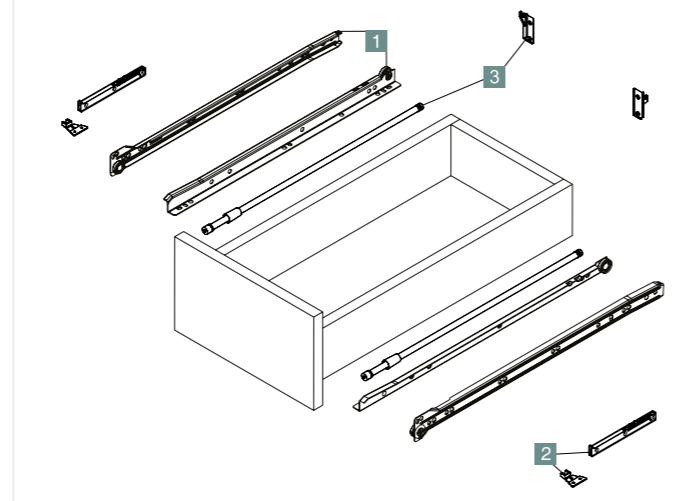


Additional information

Runner system components

1 Roller runner Basic

Left / right runner		
nominal length of runner	index	colour
250	TH03.1032.01	003
300	TH03.1033.01	003
350	TH03.1034.01	003
400	TH03.1035.01	003
450	TH03.1036.01	003
500	TH03.1037.01	003
550	TH03.1038.01	003
600	TH03.1039.01	003



Additional components

2 Soft close damper*

left/right	
index	colour
TJ03.9880.05	063

* Damper assembly instructions p. 127
damper for Metal Box drawers from 350 to 550 mm

3 Reling Metal Box

left/right		
nominal length of runner	index	colour
400	TH03.0294.01	003
450	TH03.0295.01	003
500	TH03.0296.01	003

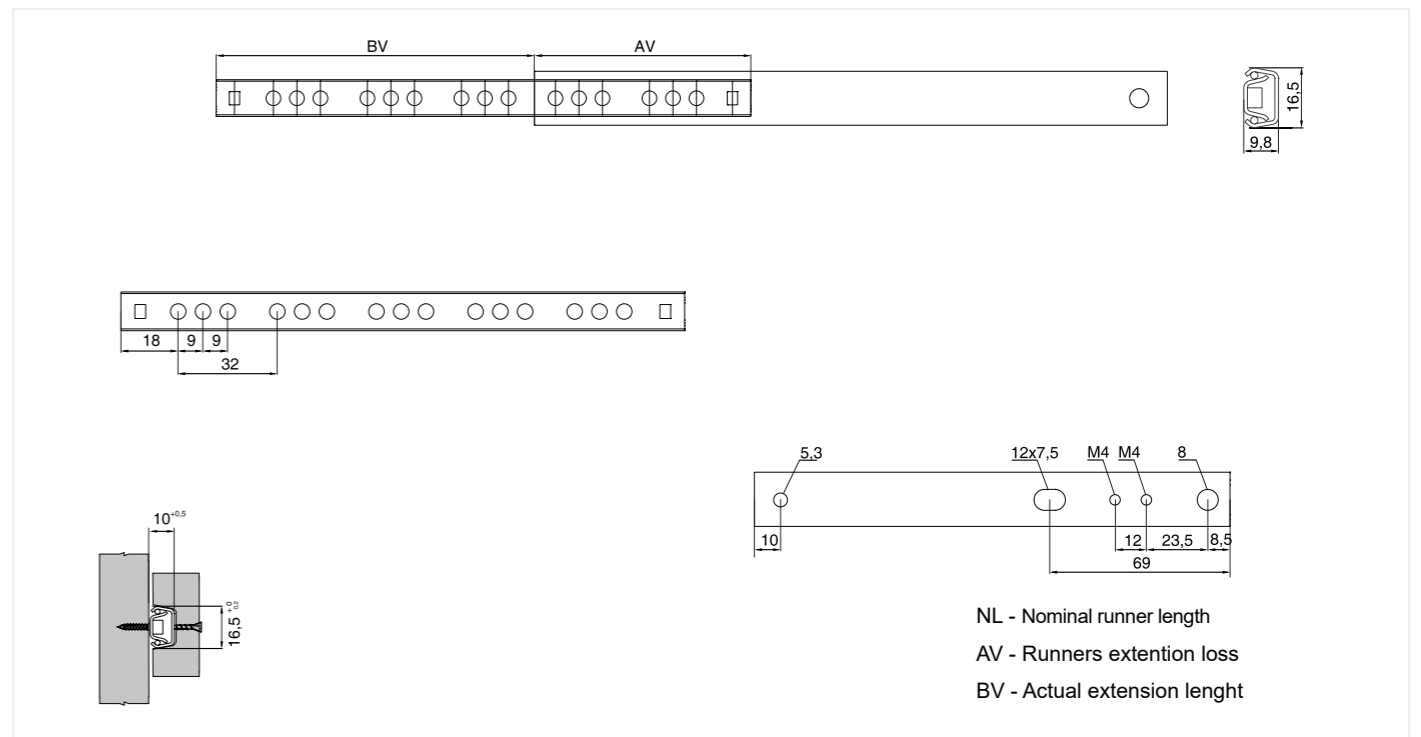
Runner system components

Ball bearing runner H17

nominal length of runner	index	colour
182	TH03.0096.01	062
214	TH03.0097.01	062
246	TH03.0098.01	062
278	TH03.0099.01	062
310	TH03.0100.01	062
342	TH03.0101.01	062

Runner extension length and loss

nominal length of runner	AV	BV
182	76	106
214	76	138
246	76	167
278	75	202
310	100	210
342	100	245



Ball bearing runner H45 without soft-close



Application **Packing**



Characteristics **Additional information**



Runner system components

Ball bearing runner H45 without soft-close

runner left / right		
nominal length of runner	index	colour
250	TH03.0994.01	062
300	TH03.0995.01	062
350	TH03.0996.01	062
400	TH03.0997.01	062
450	TH03.0998.01	062
500	TH03.0999.01	062
550	TH03.1000.01	062
600	TH03.1001.01	062
650	TH03.1006.01	062
700	TH03.1007.01	062

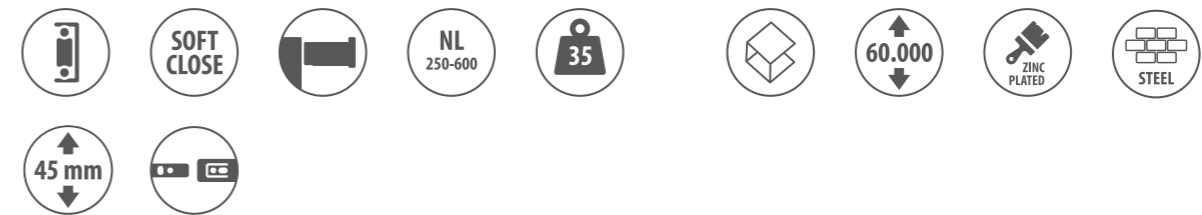
Solid Slide ball-bearing runner H45 with soft close



Application **Packing**



Characteristics **Additional information**

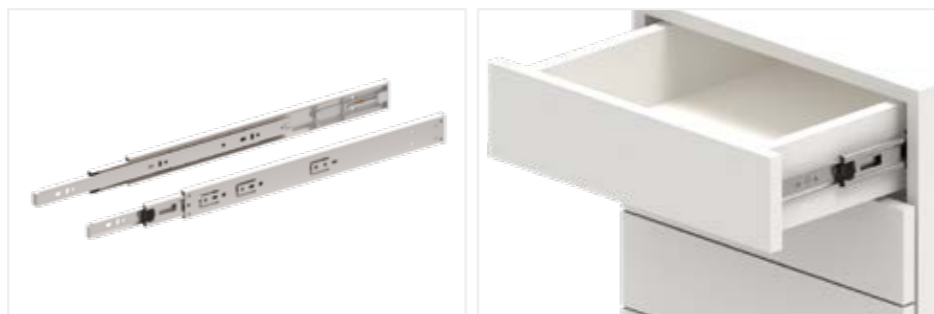


Runner system components

Solid Slide ball-bearing runner H45 with soft close

runner left / right		
nominal length of runner	index	colour
250	TH03.0978.01	062
300	TH03.0979.01	062
350	TH03.0980.01	062
400	TH03.0981.01	062
450	TH03.0982.01	062
500	TH03.0983.01	062
550	TH03.0984.01	062
600	TH03.0985.01	062

Ball bearing runner H45 push open



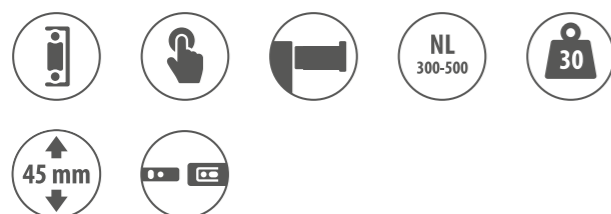
Application



Packing



Characteristics



Additional information



Runner system components

Ball bearing runner H45 push open

runner left / right

nominal length of runner	index	colour
300	TH03.0987.01	062
350	TH03.0988.01	062
400	TH03.0989.01	062
450	TH03.0990.01	062
500	TH03.0991.01	062

Comfort Slide 3D with soft close 30 kg



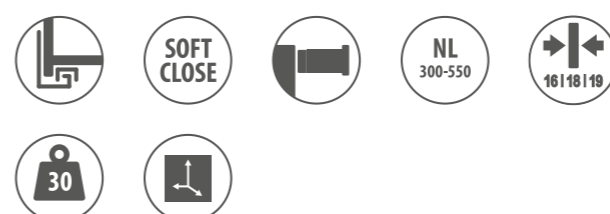
Application



Packing



Characteristics



Additional information

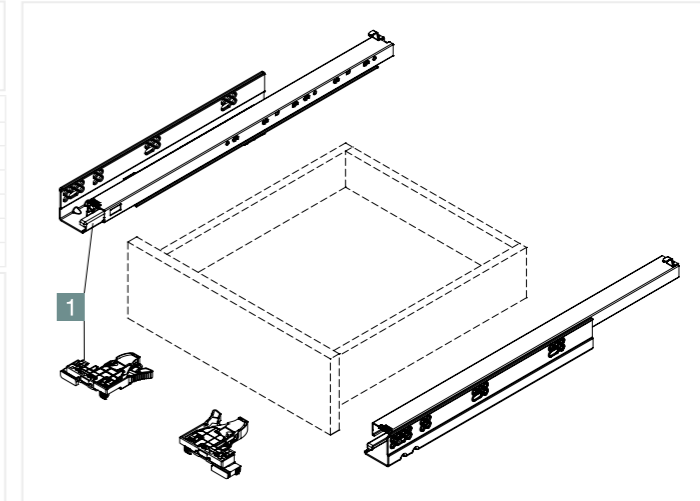


Runner system components

1 Comfort Slide 3D full extension with soft close

runner + 3D clips left / right

nominal length of runner	index	colour
300	TH03.1026.01	062
350	TH03.1027.01	062
400	TH03.1028.01	062
450	TH03.1029.01	062
500	TH03.1030.01	062
550	TH03.1031.01	062



Comfort Slide Plus 3D
with soft-close 40 kg
with synchronised extension



Comfort Slide Plus 3D
push open 40 kg
with synchronised extension



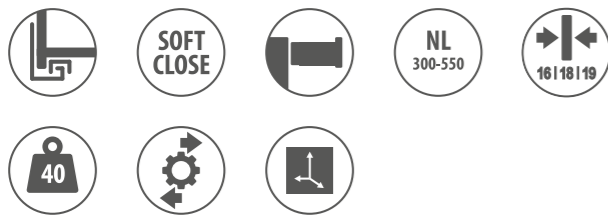
Application



Packing



Characteristics



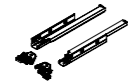
Additional information



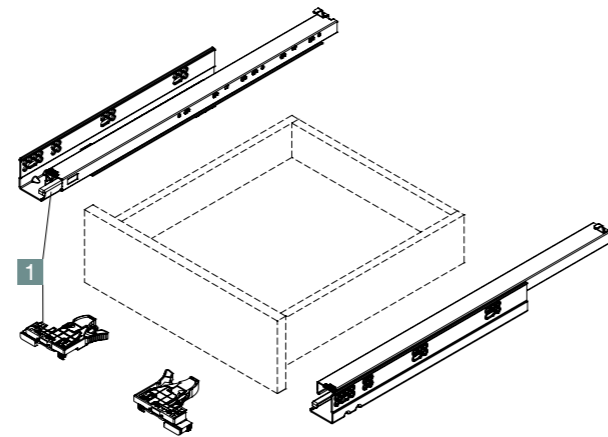
Runner system components

1 Comfort Slide - full extension + soft close

runner + 3D clips left / right



nominal length of runner	index	colour
300	TH03.0652.01	062
350	TH03.0647.01	062
400	TH03.0648.01	062
450	TH03.0649.01	062
500	TH03.0650.01	062
550	TH03.0651.01	062



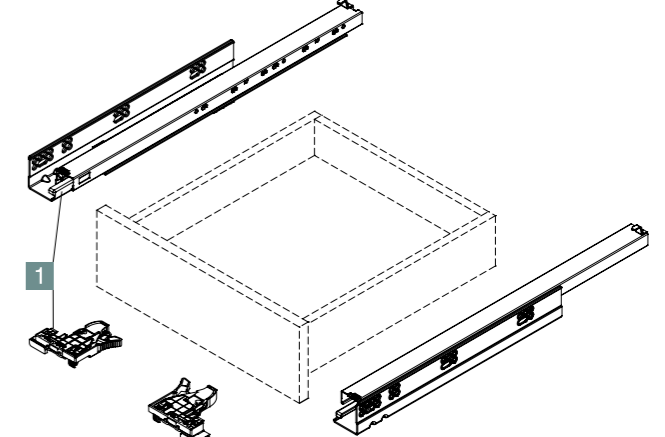
Runner system components

1 Comfort slide - full extension + push-open

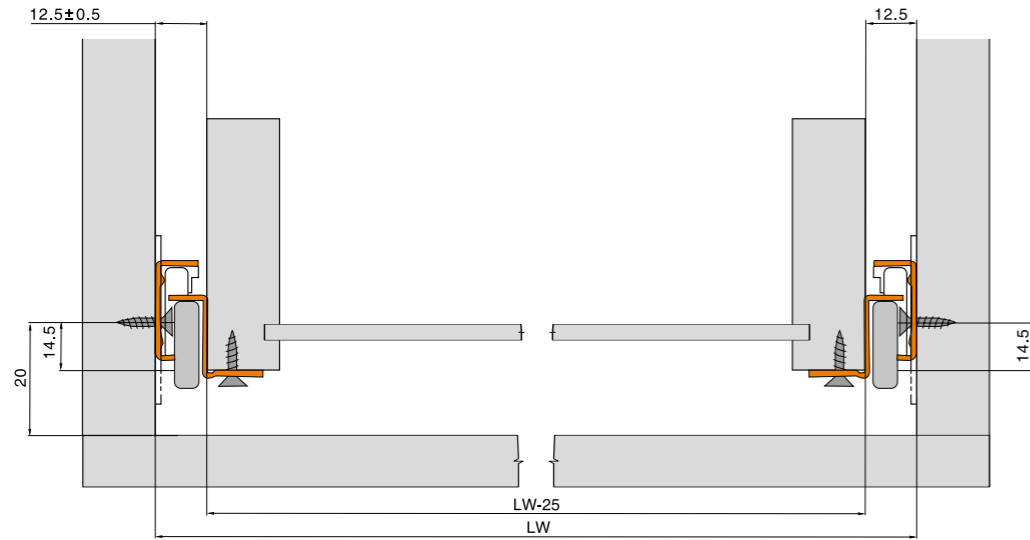
runner + 3D clips left / right



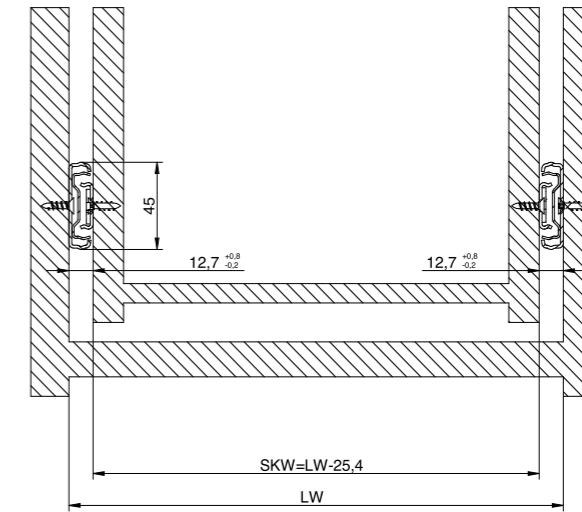
nominal length of runner	index	colour
300	TH03.0762.01	062
350	TH03.0763.01	062
400	TH03.0764.01	062
450	TH03.0765.01	062
500	TH03.0766.01	062
550	TH03.0767.01	062



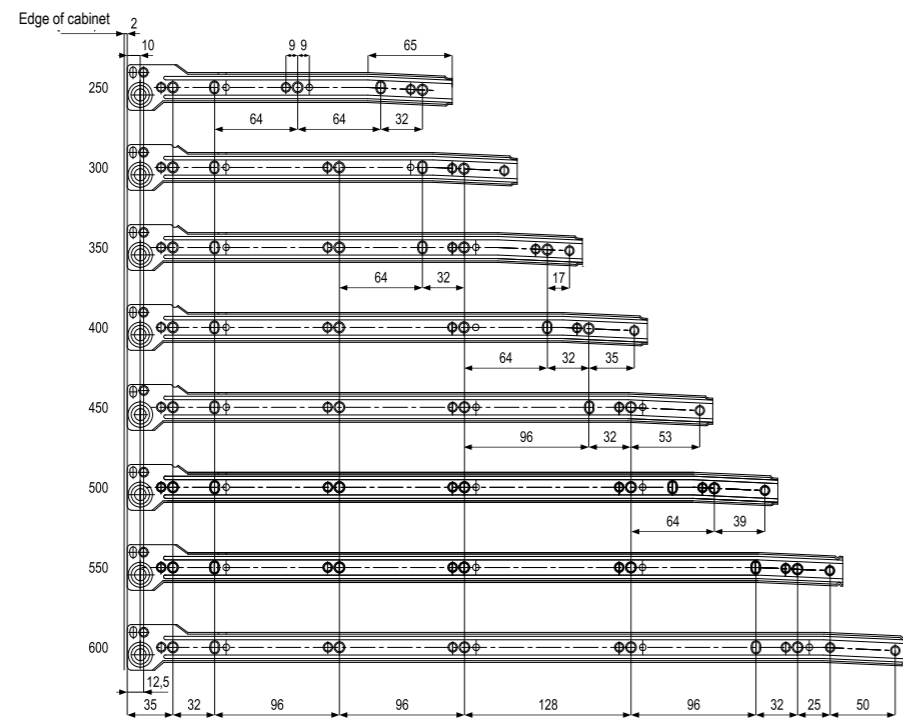
Casing Measurements



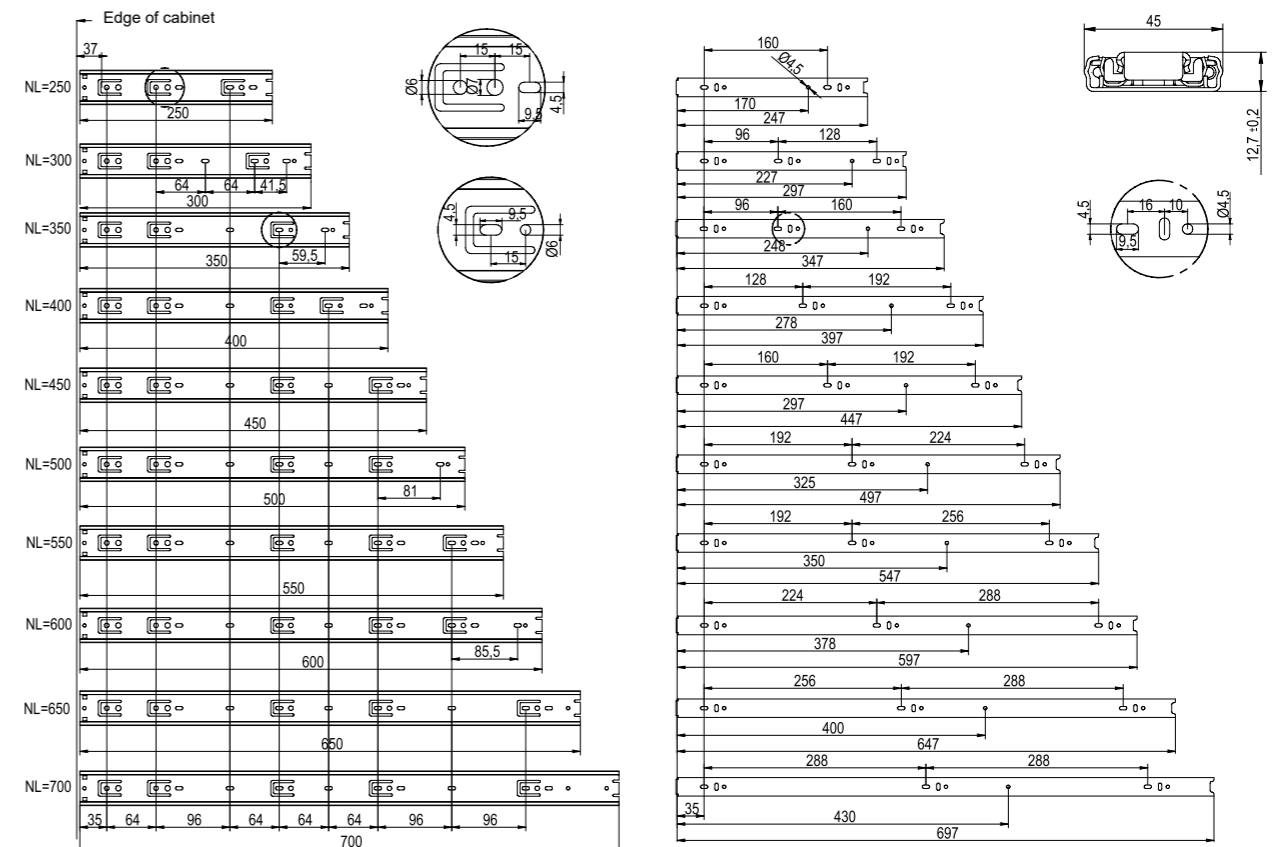
Casing Measurements



Mounting position of the runner to the cabinet



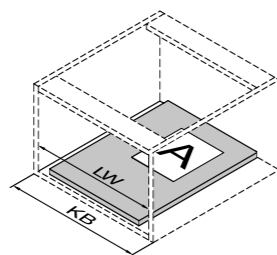
Mounting position of the runner to the cabinet



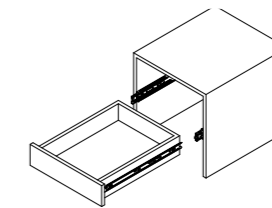
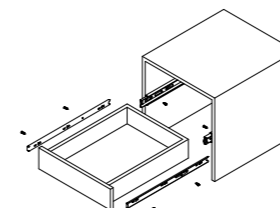
Base measurements



Length of drawer bottom
 L=NL
 Width of drawer bottom
 LW-25 mm

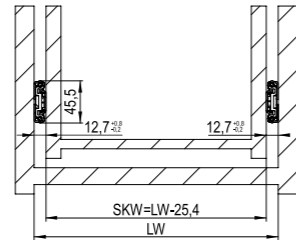


NL - Nominal runner length
 LW - Internal cabinet width
 KB - External cabinet width
 A - Drawer base size

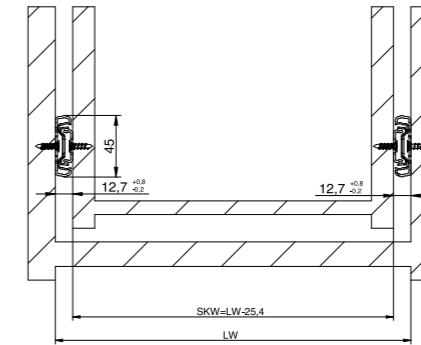


NL - Nominal runner length
 LW - Internal cabinet width
 SKW - Internal drawer width
 SKL - Drawer length

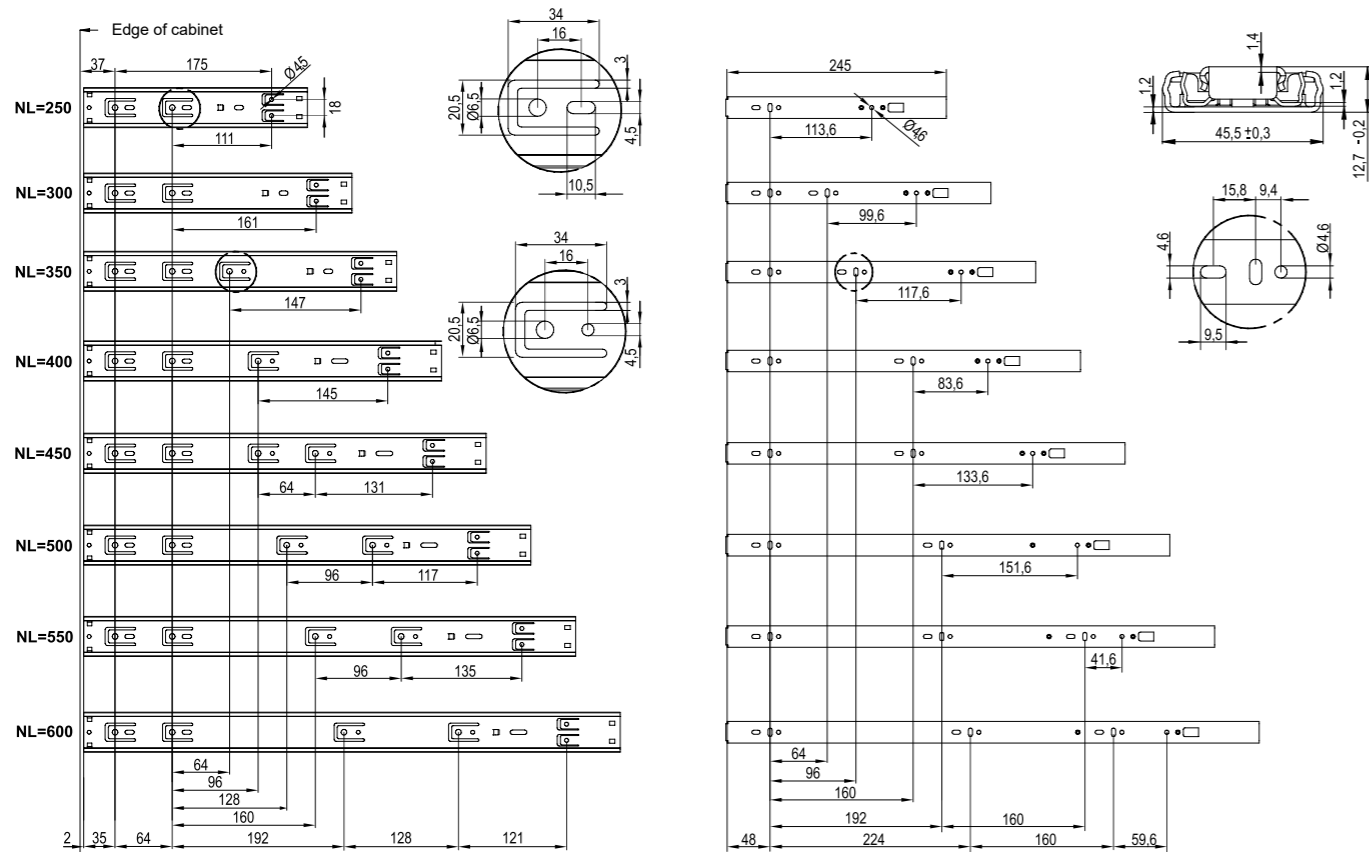
Casing Measurements



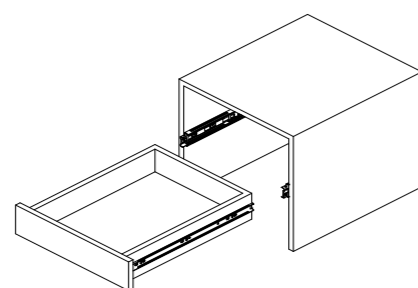
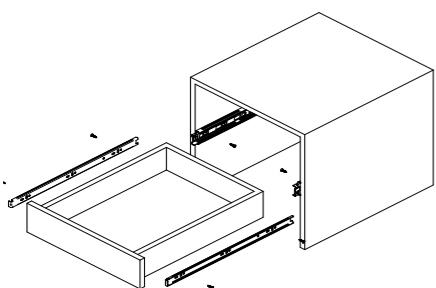
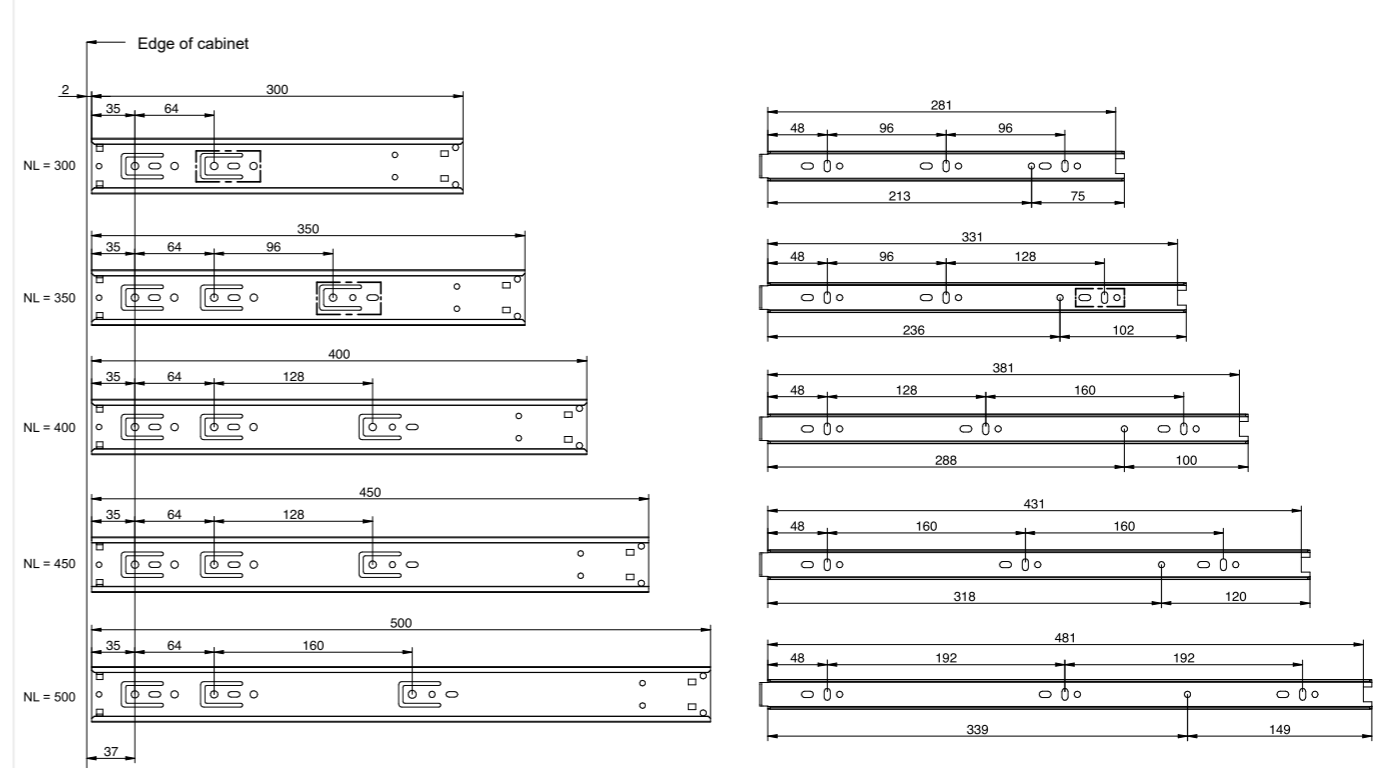
Casing Measurements



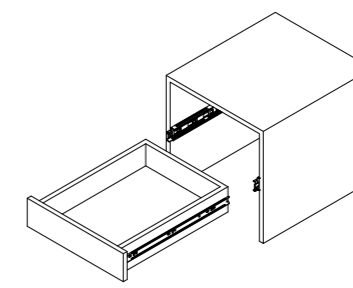
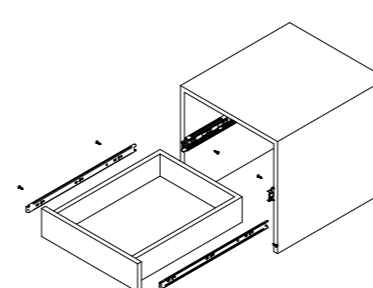
Mounting position of the runner to the cabinet



Mounting position of the runner to the cabinet

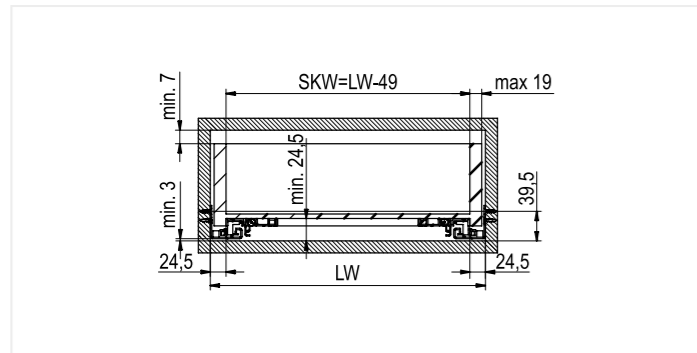


NL - Nominal runner length
 LW - Internal cabinet width
 SKW - Internal drawer width

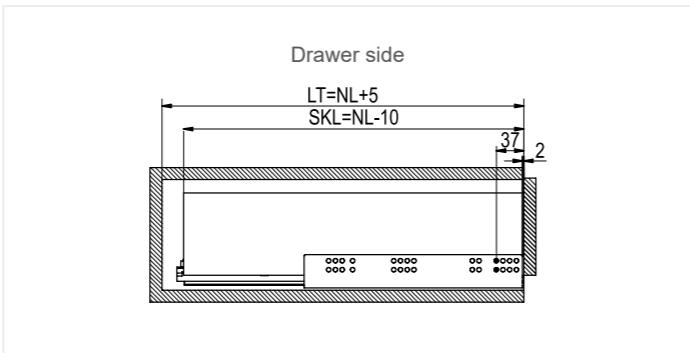


NL - Nominal runner length
 LW - Internal cabinet width
 SKW - Internal drawer width

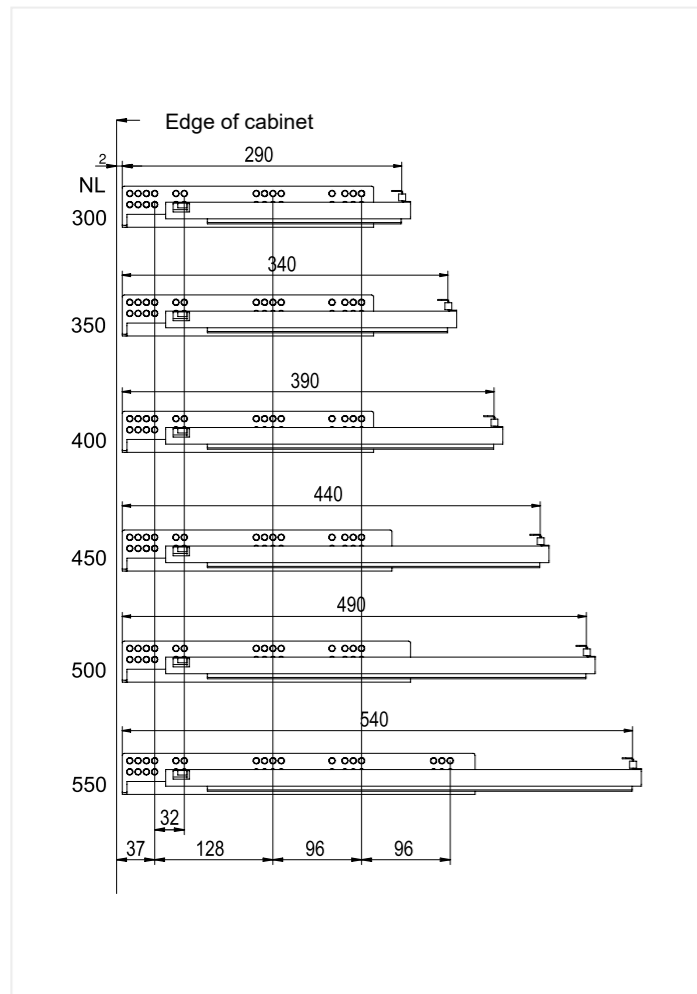
Casing Measurements



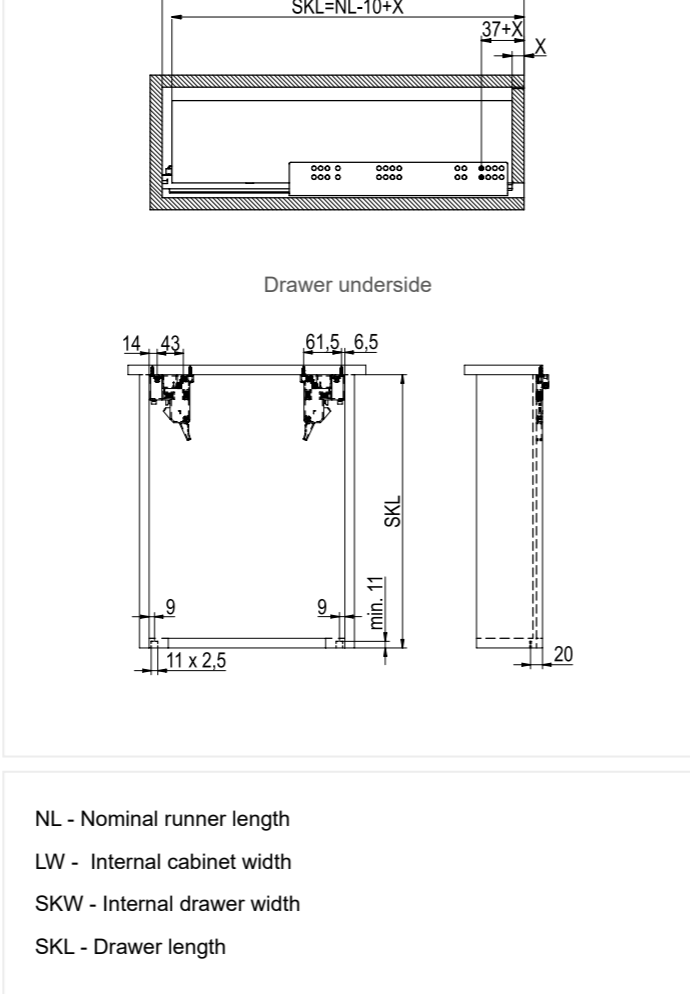
Casing Measurements



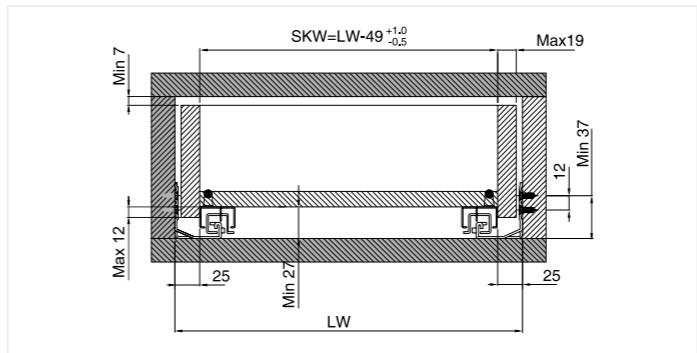
Mounting position of the runner to the cabinet



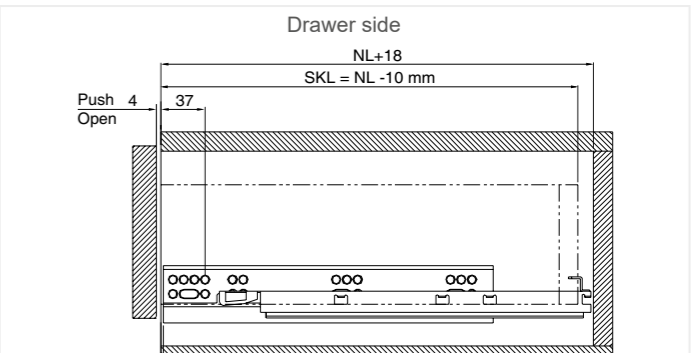
Mounting position of the runner to the cabinet



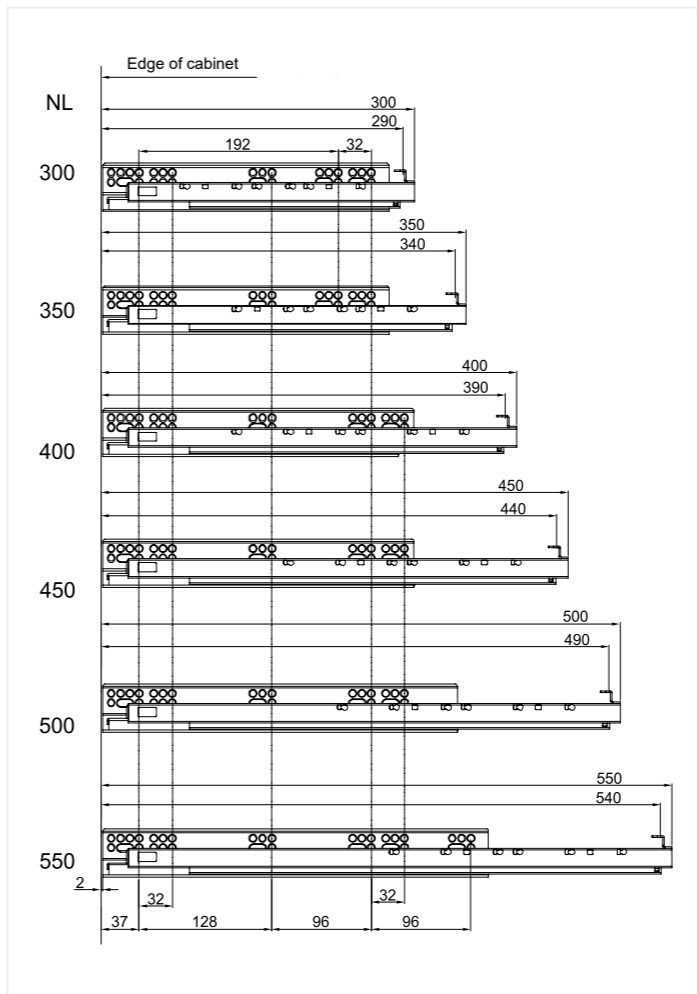
Casing Measurements



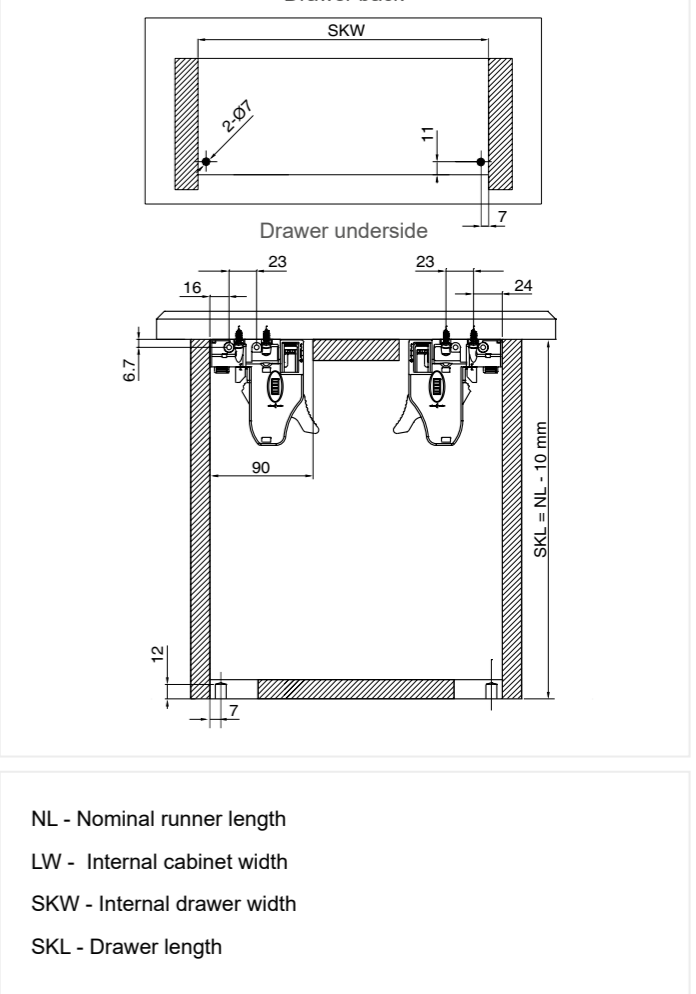
Casing Measurements



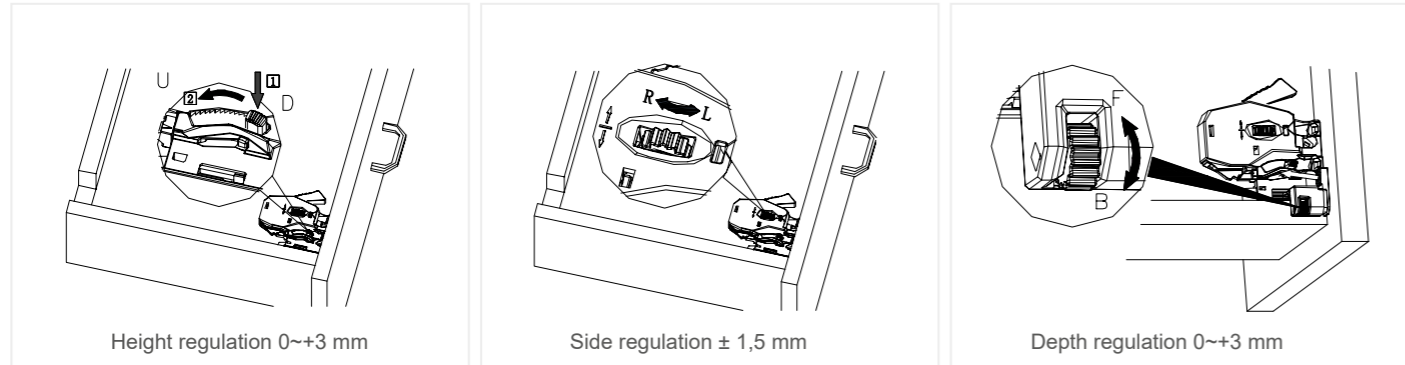
Mounting position of the runner to the cabinet



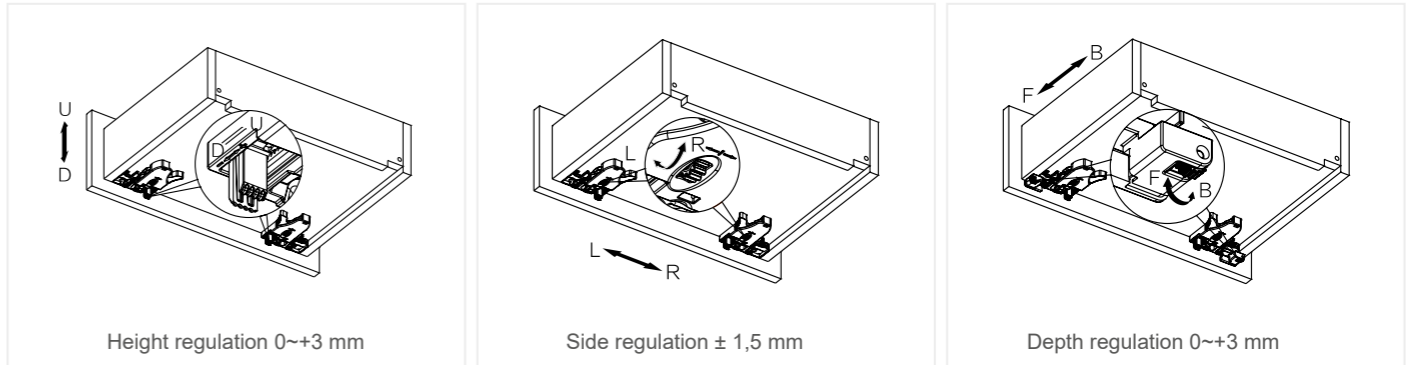
Mounting position of the runner to the cabinet



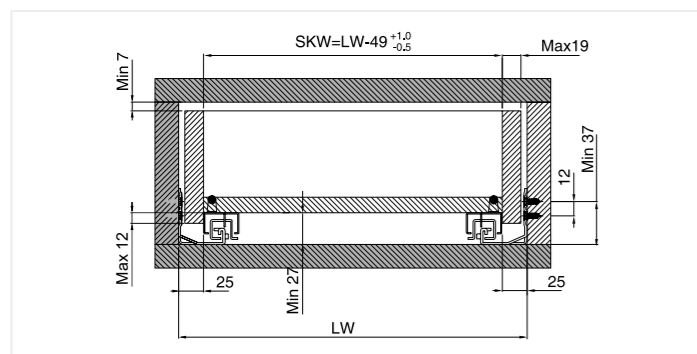
Regulation in 3 dimensions



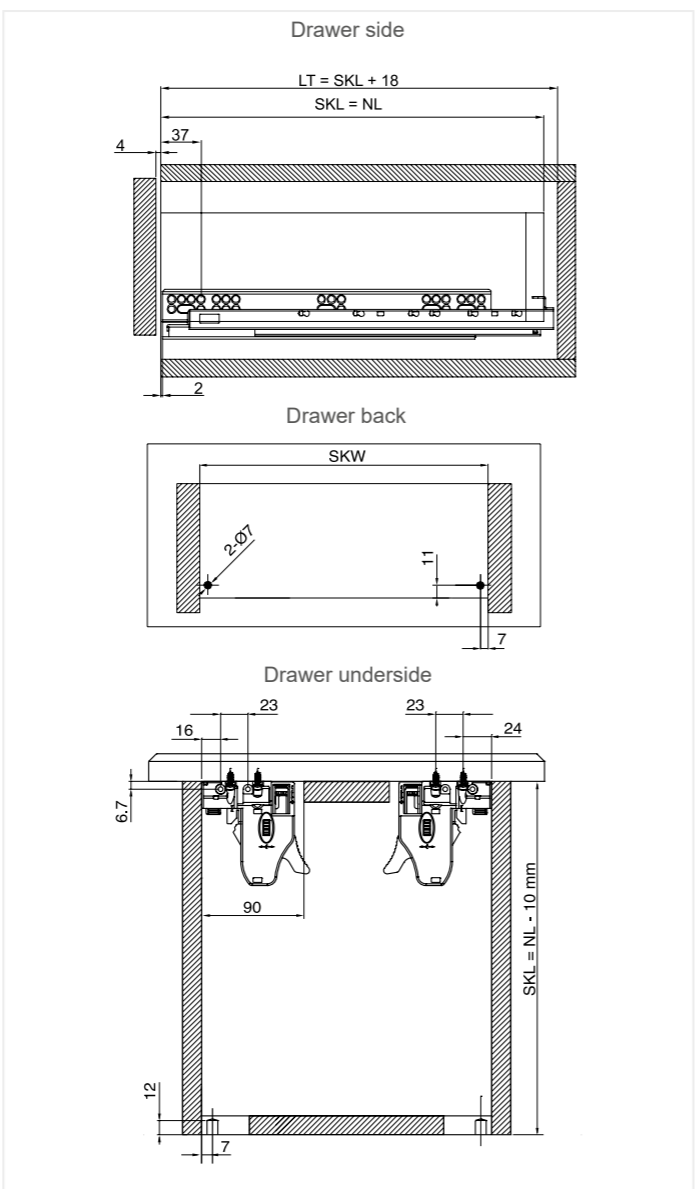
Regulation in 3 dimensions



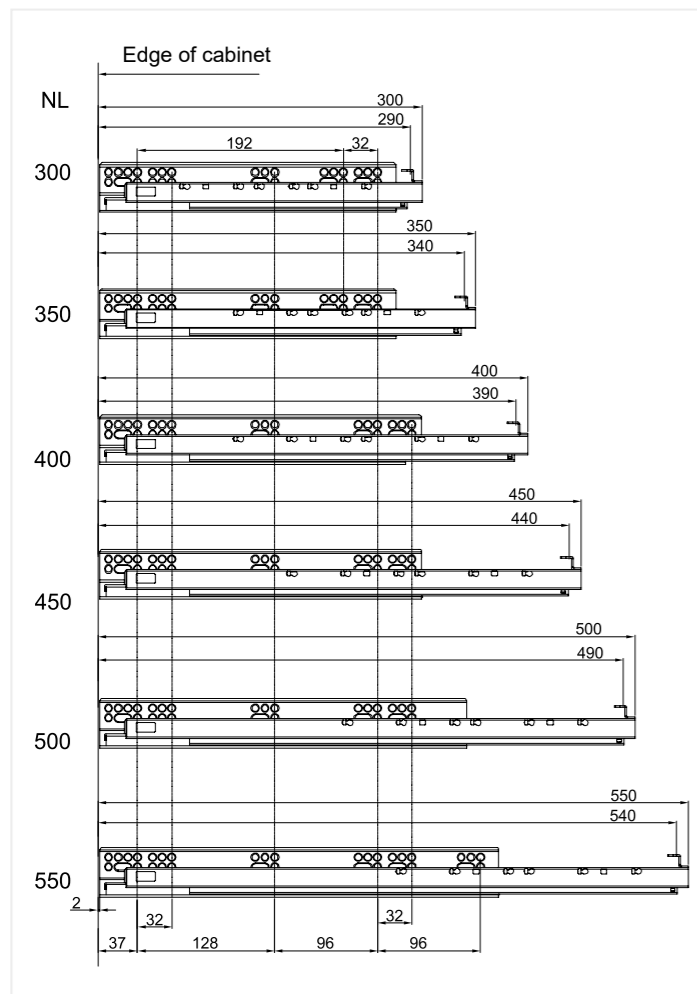
Casing Measurements



Casing Measurements

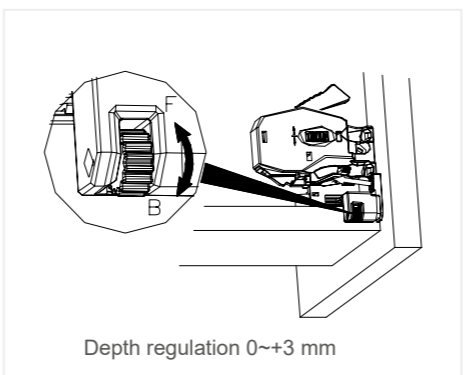
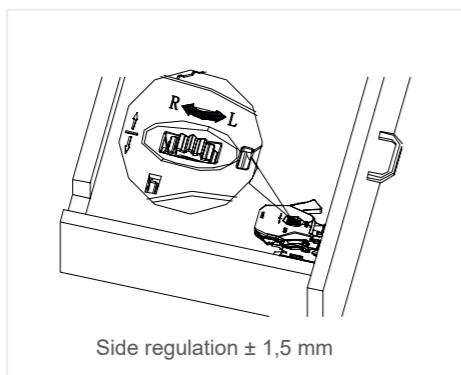
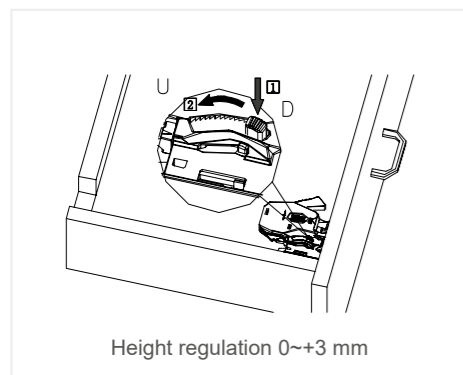


Mounting position of the runner to the cabinet



NL - Nominal runner length
 LW - Internal cabinet width
 SKW - Internal drawer width
 SKL - Drawer length

Regulation in 3 dimensions





THE DRESSING ROOM



Solutions made-to-measure

Create the wardrobe of your dreams thanks to the wide range of accessories from REJS. Functional drawer systems for underwear, pull out shelves for boots, hanger systems for dresses, jackets, and trousers – all help to keep things neat and tidy for longer. REJS solutions allow for the personalisation of interiors to meet specific needs of the user. The selection includes a wide range of drawers in various dimensions, as well as the organisation systems needed to complete them. The offer also contains a selection of hanger systems, poles, and attachments to complete the wardrobe.

Elegance in black or white

New - The **Maxima Puro** line consists of drawers made of the highest quality steel, available in two colours - elegant black, which is complemented by a wooden decor and timeless white with glass. Each system equipped with matched colour anti-slip mat. Robust runner systems with a loading capacity of 40 kg ensures reliable operation for years. REJS organisational systems can be used to help facilitate the neat storage of clothes, shoes, and other small items in these drawers. Elegant organisers for jewelry and accessories, are available in two colours: cream synthetic leather with black velvet and black synthetic leather with a copper finish.

Universal lightness

The **Variant Multi** line includes lightweight wire racks and baskets combined with a dedicated REJS driving system offering a maximum load capacity of 35 kg. This line includes storage solutions for underwear, shoes, and trousers. The products are available in white or black.

Minimalism and simplicity

Simple are simple, openwork baskets made of wire, complemented by a choice of two runner systems: roller or ball bearing. Their design facilitates air circulation in the wardrobe. Available in white and silver.



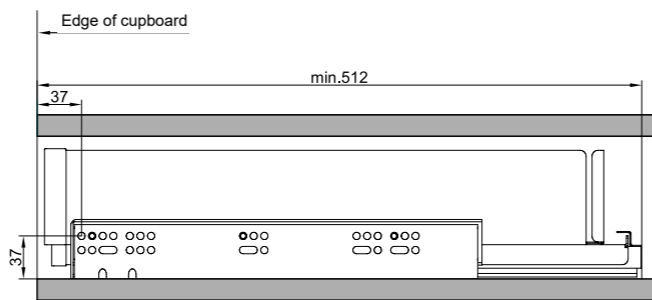
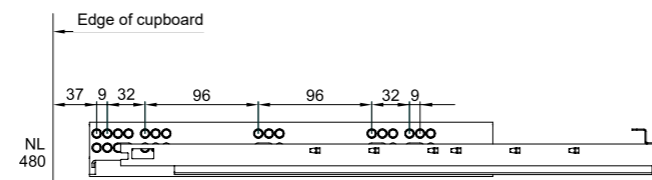


Wardrobe fittings

Wardrobe fittings

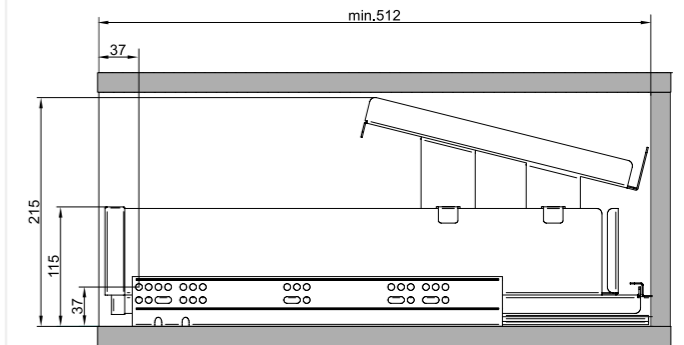
Internal drawer with decor H=80 NL=480

Shoe Rack



width	index	colour
600	WE35.0002.01	A18, 331
800	WE35.0003.01	A18, 331
900	WE35.0004.01	A18, 331

COATING CODE: A18 BLACK MAT 331 WHITE MAT



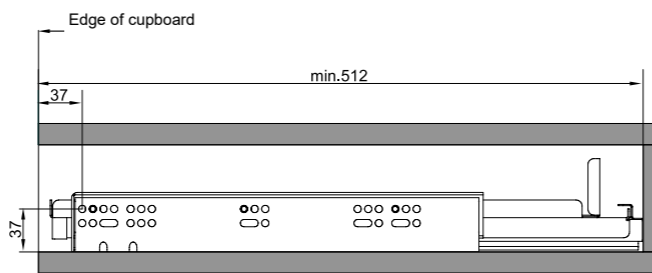
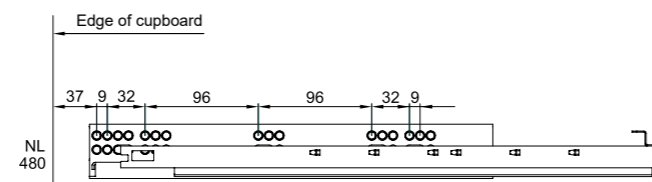
width	index	colour
600	WE35.0006.01	A18, 331
800	WE35.0007.01	A18, 331
900	WE35.0008.01	A18, 331

COATING CODE: A18 BLACK MAT 331 WHITE MAT



Wardrobe fittings

Internal Drawer H=50 NL=480



width	index	colour
600	WE35.0009.01	A18, 331
800	WE35.0010.01	A18, 331
900	WE35.0011.01	A18, 331

COATING CODE: A18 BLACK MAT 331 WHITE MAT

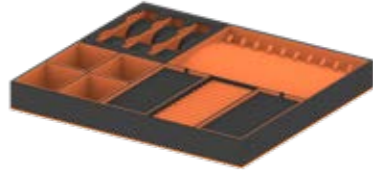

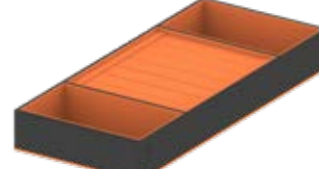


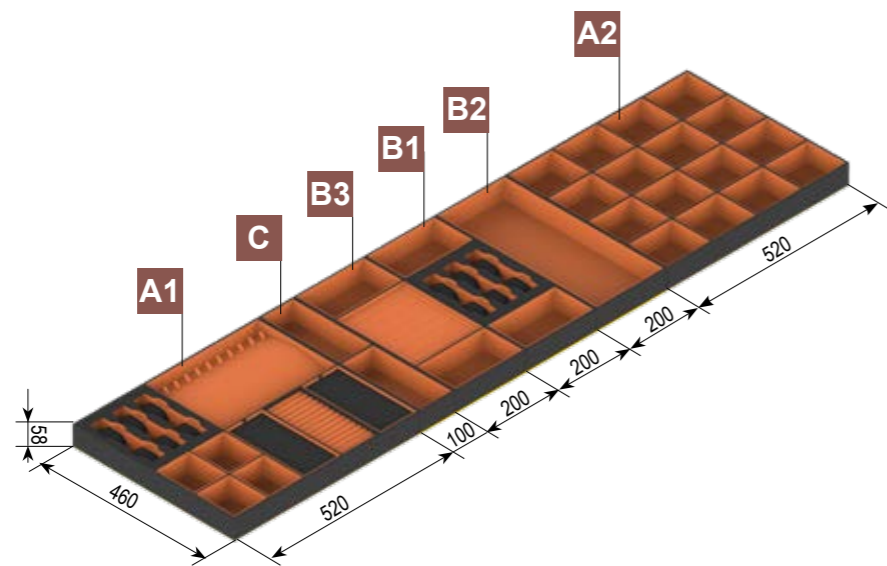
Wardrobe inserts

- compatible with REJS Puro H=50 and Slim Box (drawer with front and internal drawers) as well as the Blum Legrabox
- 6 models with various applications to choose from, available in widths: 100, 200 and 520 mm
- available in two colour options
 - creamy synthetic leather combined with black velvet
 - black synthetic leather combined with copper velvet
- sold individually
- for self-completion



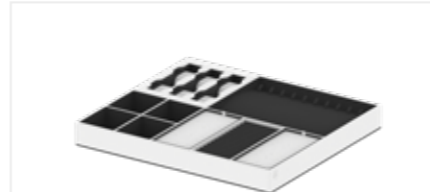

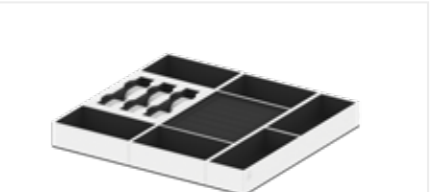



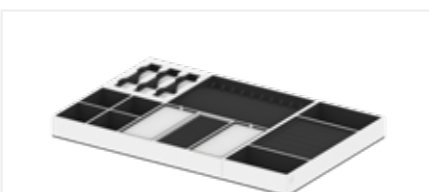
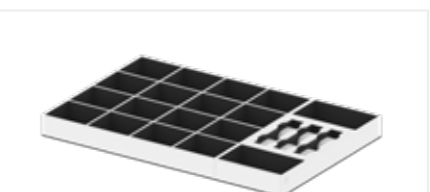








Basic Components

A1	A2	B1																		
<p>Insert A1 large for jewelry</p>  <table border="1"> <tr> <td>width</td> <td>index</td> <td>colour</td> </tr> <tr> <td>520</td> <td>TE36.9000.46</td> <td>BN4, BN5</td> </tr> </table>	width	index	colour	520	TE36.9000.46	BN4, BN5	<p>Insert A2 large for accessories</p>  <table border="1"> <tr> <td>width</td> <td>index</td> <td>colour</td> </tr> <tr> <td>520</td> <td>TE36.9001.46</td> <td>BN4, BN5</td> </tr> </table>	width	index	colour	520	TE36.9001.46	BN4, BN5	<p>Insert B1 medium for watches and bracelets</p>  <table border="1"> <tr> <td>width</td> <td>index</td> <td>colour</td> </tr> <tr> <td>200</td> <td>TE36.9002.46</td> <td>BN4, BN5</td> </tr> </table>	width	index	colour	200	TE36.9002.46	BN4, BN5
width	index	colour																		
520	TE36.9000.46	BN4, BN5																		
width	index	colour																		
520	TE36.9001.46	BN4, BN5																		
width	index	colour																		
200	TE36.9002.46	BN4, BN5																		
B2	B3	C																		
<p>Insert B2 medium for accessories</p>  <table border="1"> <tr> <td>width</td> <td>index</td> <td>colour</td> </tr> <tr> <td>200</td> <td>TE36.9003.46</td> <td>BN4, BN5</td> </tr> </table>	width	index	colour	200	TE36.9003.46	BN4, BN5	<p>Insert B3 medium for jewelry</p>  <table border="1"> <tr> <td>width</td> <td>index</td> <td>colour</td> </tr> <tr> <td>200</td> <td>TE36.9004.46</td> <td>BN4, BN5</td> </tr> </table>	width	index	colour	200	TE36.9004.46	BN4, BN5	<p>Insert C small for accessories</p>  <table border="1"> <tr> <td>width</td> <td>index</td> <td>colour</td> </tr> <tr> <td>100</td> <td>TE36.9005.46</td> <td>BN4, BN5</td> </tr> </table>	width	index	colour	100	TE36.9005.46	BN4, BN5
width	index	colour																		
200	TE36.9003.46	BN4, BN5																		
width	index	colour																		
200	TE36.9004.46	BN4, BN5																		
width	index	colour																		
100	TE36.9005.46	BN4, BN5																		



A1 + C + B3 + B1 + B2 + A2

Example configurations of drawer inserts according to drawer widths:

600	700	800	900	1000	1100
 <p>A1</p>	 <p>A2</p>	 <p>B1 + B3 + C</p>			
 <p>A1 + C</p>	 <p>A2 + C</p>	 <p>B1 + B2 + B3</p>			
 <p>A1 + B2</p>	 <p>A1 + B3</p>	 <p>A2 + B1</p>			
 <p>A1 + B2 + C</p>	 <p>A2 + B1 + C</p>	 <p>A2 + B3 + C</p>			
 <p>A1 + B1 + B2</p>	 <p>A1 + B2 + B3</p>	 <p>A2 + B1 + B3</p>			
 <p>A1 + B1 + B2 + C</p>	 <p>A2 + B1 + B2 + C</p>	 <p>A2 + B2 + B3 + C</p>			

COATING CODE: BN4 BLACK/ORANGE BN5 WHITE/BLACK





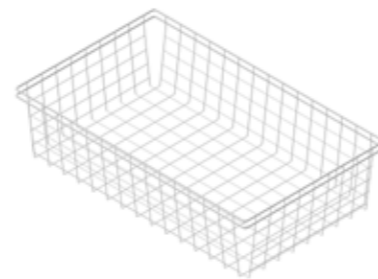
Wardrobe fittings

Wardrobe fittings

Linen drawer L-480



1 Linen basket 600-900

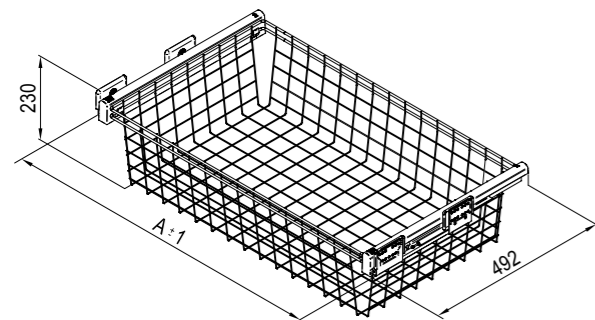


width	wymiar A	index	colour
600	563	WE29.0637.01	061, 331
700	663	WE29.0638.01	061, 331
800	763	WE29.0639.01	061, 331
900	863	WE29.0640.01	061, 331

2 Extension system L-480



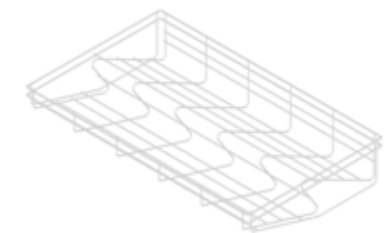
index	colour
WE29.0649.01	061, 331



Drawer for shoes L-480



1 Shoe rack 600-900

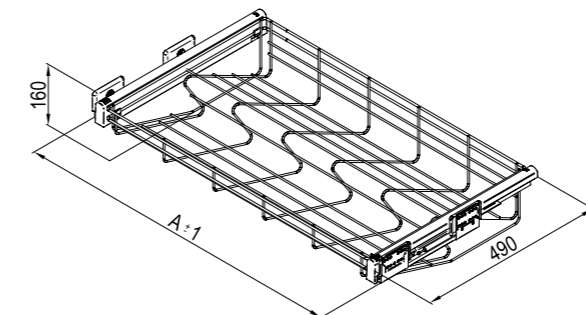


width	A	index	colour
600	563	WE29.0641.01	061, 331
700	663	WE29.0642.01	061, 331
800	763	WE29.0643.01	061, 331
900	863	WE29.0644.01	061, 331

2 Extension system L-480



index	colour
WE29.0649.01	061, 331



COATING CODE: 061 BLACK MAT 331 WHITE MAT

COATING CODE: 061 BLACK MAT 331 WHITE MAT



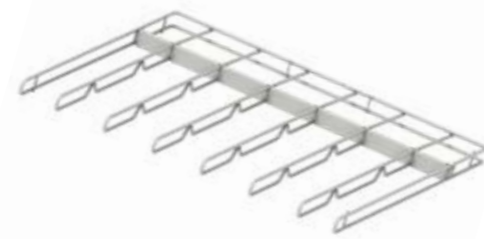
Wardrobe fittings

Wardrobe fittings

Drawer for trousers L-480

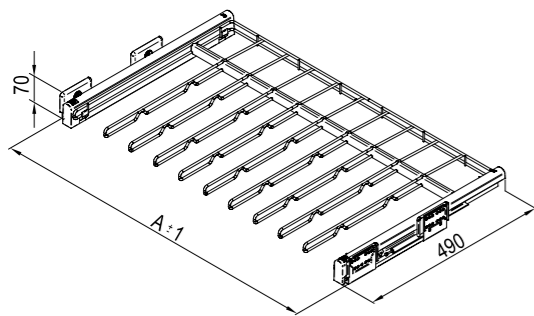


1 Trousler hanger 600-900



width	wymiar A	index	colour
600	563	WE29.0645.01	061, 331
700	663	WE29.0646.01	061, 331
800	763	WE29.0647.01	061, 331
900	863	WE29.0648.01	061, 331

2 Extension system L-480



index	colour
WE29.0649.01	061, 331

Simpla Drawer L-500



1 Basket 400-600



width	A	H	index	colour
400	332-348	150	WA03.4965.01	003, 788
		200	WA03.4969.01	003, 788
500	432-448	150	WA03.4966.01	003, 788
		200	WA03.4970.01	003, 788
600	532-548	150	WA03.4967.01	003, 788
		200	WA03.4971.01	003, 788

2 Extension system L-500

Roller runner

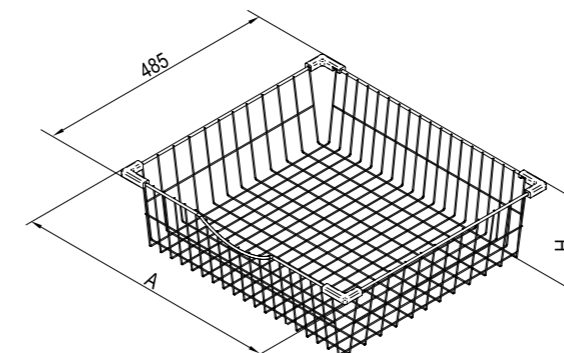


index	colour
TH03.0039.01	002, 003

Ball bearing runner



index	colour
WH02.2176.01	062



COATING CODE: 061 BLACK MAT 331 WHITE MAT

COATING CODE: 002 SILVER 003 WHITE 062 ZINC WHITE 788 SILVER RAL 9006



Wardrobe fittings

Wardrobe fittings

Pull down wardrobe hanger

Trouser hanger set 5 pcs

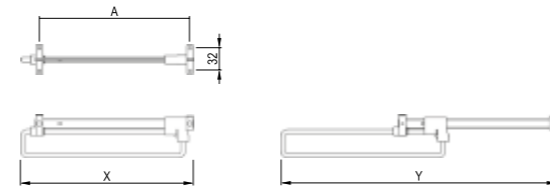
width	index	colour
450-600	TA01.0029.08	003, 052, 055
600-830	TA01.0030.08	003, 052, 055
830-1100	TA01.0031.08	003, 052, 055

index	colour
TA01.0060.05	061

COATING CODE: 003 WHITE 052 CHROME/BLACK 055 BLACK

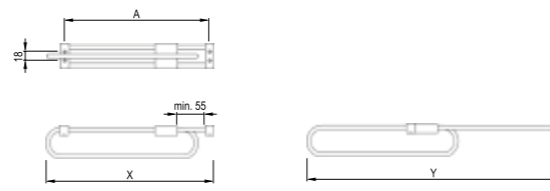
COATING CODE: 061 BLACK

Pull-out clothes hanger



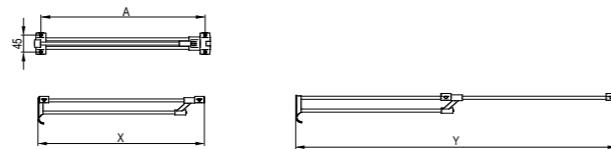
length	A x X x Y	index	colour
250	220 x 253 x 403	TA01.0005.08	064
300	270 x 303 x 503	TA01.0006.08	064
350	320 x 353 x 589	TA01.0007.08	064
400	380 x 413 x 709	TA01.0008.08	064
450	420 x 453 x 779	TA01.0009.08	064
500	480 x 503 x 890	TA01.0032.08	064

Pull-out clothes hanger E50



length	A x X x Y	index	colour
250	237 x 282 x 400	TA01.0052.08	052
300	287 x 332 x 500	TA01.0038.08	052
350	337 x 382 x 600	TA01.0039.08	052
400	387 x 432 x 700	TA01.0040.08	052
450	437 x 482 x 800	TA01.0013.08	052
500	437 x 532 x 800	TA01.0010.08	052

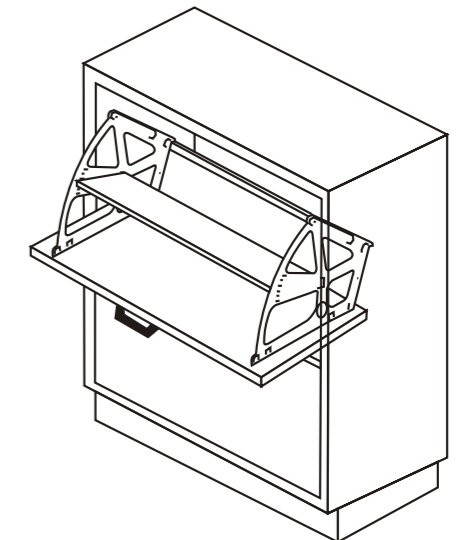
Pull-out clothes hanger E50 with handle



length	A x X x Y	index	colour
250	222 x 250 x 392	TA01.0053.47	052
300	272 x 300 x 492	TA01.0041.47	052
350	320 x 350 x 592	TA01.0042.47	052
400	376 x 400 x 692	TA01.0043.47	052
450	425 x 450 x 792	TA01.0044.47	052
500	475 x 500 x 892	TA01.0045.47	052

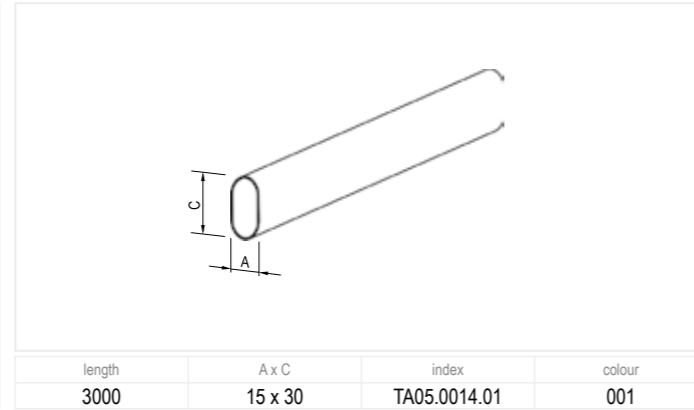


Fixing bracket for drop-down shoe rack

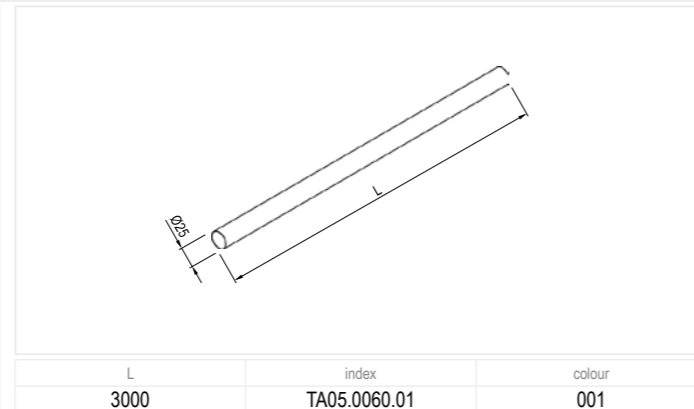


type	index	colour
1 Shelf	TA02.0001.05	013
2 Shelves	TA02.0002.05	013
3 Shelves	TA02.0003.05	013

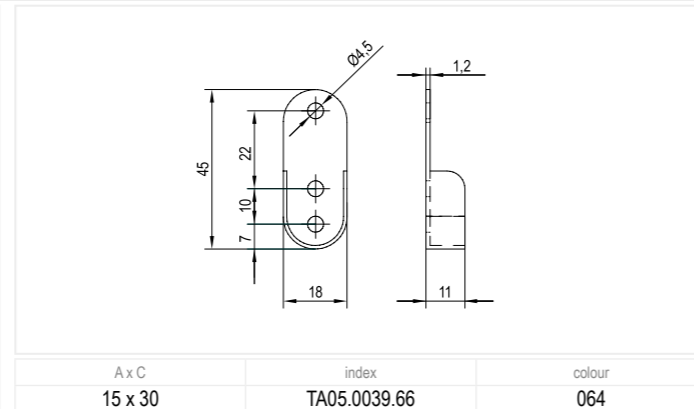
Oval wardrobe rail



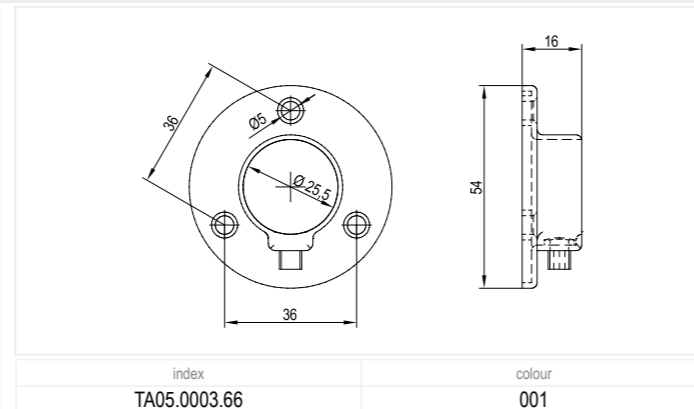
Round wardrobe rail Ø25



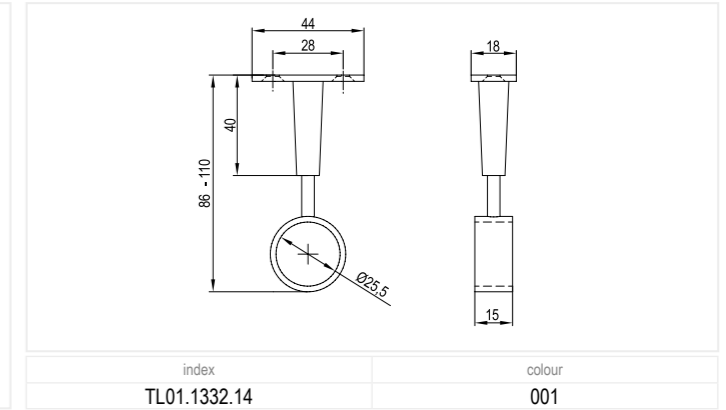
Oval wardrobe rail end support



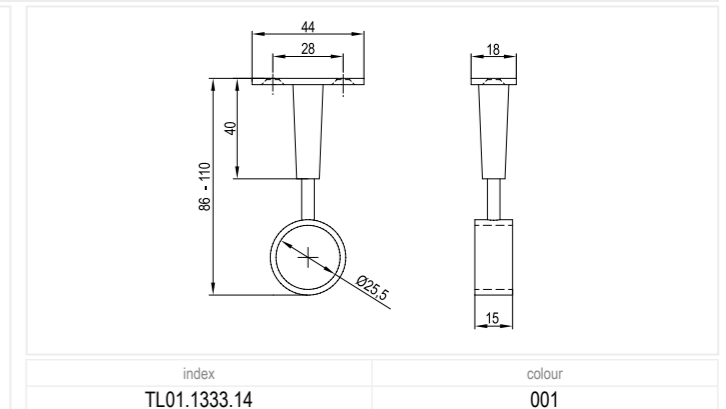
Round wardrobe rail end support Ø25



Adjustable hanging wardrobe rail centre bracket (651)



Adjustable hanging wardrobe rail end bracket (652)





Slim **Box** drawer and organiser systems

Details on ordering and configuring drawer systems can be found in the *Drawer and runner systems* section.



BATHROOM

laundry | utility room



Functionality and simplicity

When designing a space, we must not only take care of aesthetics, but also optimal use of the space that surrounds us. REJS accessories provide help with, finding the easiest way to organize space in cabinets and drawers. Regardless of whether we have a small or a spacious bath room.

In the fight for every precious centimeter and order in the bathroom

Cargo systems may turn out to be an ally, which will facilitate the ordering of bathroom storage items. Thanks to the use of this type of systems, we can create perfect organization for towels, cleaning agents and detergents. Depending on your needs, we can adjust types of baskets to the type of products stored, their dimensions and height.

Convenient solutions for laundry and utility rooms

The REJS offer also includes very spacious laundry baskets, which depending on the type of cabinets, can be installed in several ways. Thanks to the available configurations, they can be put in cabinets with a traditional, sliding or tilting front. Perforated containers ensure adequate air circulation, which is very important in the case of dirty textiles.

The Housemaster frame is an ideal solution for small utility rooms. It is designed to store brushes, buckets, cloths, cleaning products and even the vacuum cleaner won't be a hassle. Both in the bathroom, laundry and utility rooms, cargo systems equipped with reliable REJS extension systems, guarantee failure-free and user peace of mind for many years.





BATHROOM

Front drawer for Laundry 600 L-480



1 Laundry basket 33 I



NOTE: 2 pieces are required to complete the set

index	colour
2 x TE22.6696.05	013

2 Front drawer for laundry - runner system L-480



index	colour
WE28.3832.01	331

Tilted front laundry basket 450-500



1 Laundry basket 33 I



index	colour
TE22.6696.05	013

2 Basket holder



index	colour
WE14.2149.01	062

3 Swing arm hinge



index	colour
TJ03.5514.01	062

Internal laundry basket 500 L-300



1 Laundry basket 33 I



index	colour
TE22.6696.05	013

2 Internal laundry basket - extension system L-300



index	colour
WE28.3933.01	331

Door mounted laundry basket



1 Laundry basket 33 I



index	colour
TE22.6696.05	013

2 Basket holder



index	colour
WE14.2149.01	062

Single cargo mini base basket 300-600 L300/450 front mounted



1 Single base basket 300-600



width	index L-300	colour	index L-450	colour
300	WE29.0147.01	003	WE29.0009.01	001, 003, 062, 549
400	WE29.0148.01	003	WE29.0010.01	001, 003, 062, 549
500	WE29.0149.01	003	WE29.0011.01	001, 003, 062, 549
600	WE29.0150.01	003	WE29.0151.01	001, 003, 549

2 REJS FULL base extension system L300/450 front mounted



index L-300	colour	index L-450	colour
WE29.0616.01	003	WE29.0014.01	549

Single cargo mini base basket 300-600 L-300 tilted front



1 Single base basket 300-600



width	index	colour
400	WE29.0148.01	003
500	WE29.0149.01	003
600	WE29.0150.01	003

2 Basket holder



index	colour
WE14.2149.01	062

3 Swing arm hinge



index	colour
TJ03.5514.01	062

Single cargo mini base basket 300-600 L-300/450 Internal



1 Single base basket 300-600



width	index L-300	colour	index L-450	colour
300	WE29.0147.01	003	WE29.0009.01	001, 003, 062, 549
400	WE29.0148.01	003	WE29.0010.01	001, 003, 062, 549
500	WE29.0149.01	003	WE29.0011.01	001, 003, 062, 549
600	WE29.0150.01	003	WE29.0151.01	001, 003, 549

2 REJS FULL base extension system L300/450 for hinged fronts



index L-300	colour	index L-450	colour
WE29.0615.01	003	WE29.0128.01	549

Single cargo mini base basket 300-600 L-300 front mounted



1 Single base basket 300-600



width	index	colour
400	WE29.0148.01	003
500	WE29.0149.01	003
600	WE29.0150.01	003

2 Basket holder



index	colour
WE14.2149.01	062

Mini base cargo 150-400 L-300 front mounted



1 Base basket 150-400



width	index	colour
150	WE29.0143.01	003
200	WE29.0144.01	003
300	WE29.0145.01	003
400	WE29.0146.01	003

2 REJS FULL base extension system L300 front mounted



index	colour
WE29.0616.01	003

Mini base cargo 300-400 L-300 internal



1 Base basket 300-400



width	index	colour
300	WE29.0145.01	003
400	WE29.0146.01	003

2 REJS FULL base extension system L300 for hinged fronts



index	colour
WE29.0615.01	003

Wire laundry basket 300-500 for tilted fronts



1 Laundry basket



width	index	colour
300	WE21.0101.01	003
400	WE21.0102.01	003
500	WE21.0103.01	003

2 Swing arm hinge



index	colour
TJ03.5514.01	062



Flexible siphon housing

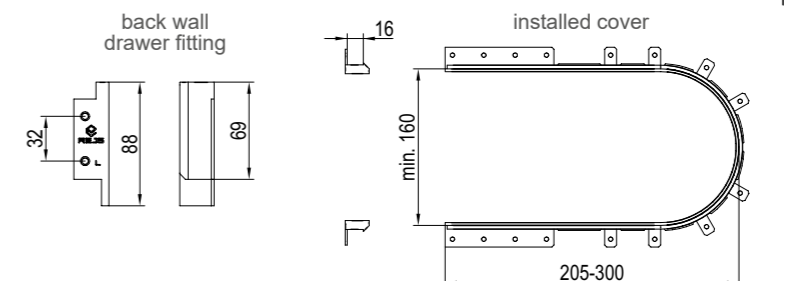
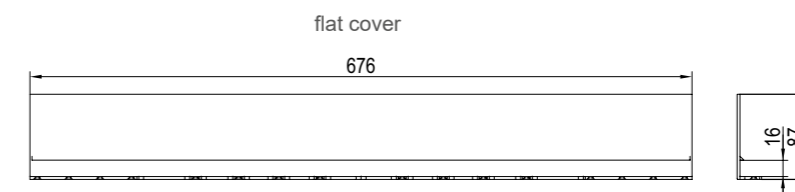


Product characteristics:

- to be used in drawers with a depth of NL=270-650 mm
- designed for drawers with a bottom made from 16 mm board
- compatible with low and tall drawers from all manufacturers
- made from flexible plastic ensuring the cover easily fits the drawer
- can be cut-to-size and adjusted to fit varying types of back wall fittings
- 3 colours to choose from: white, silver and graphite

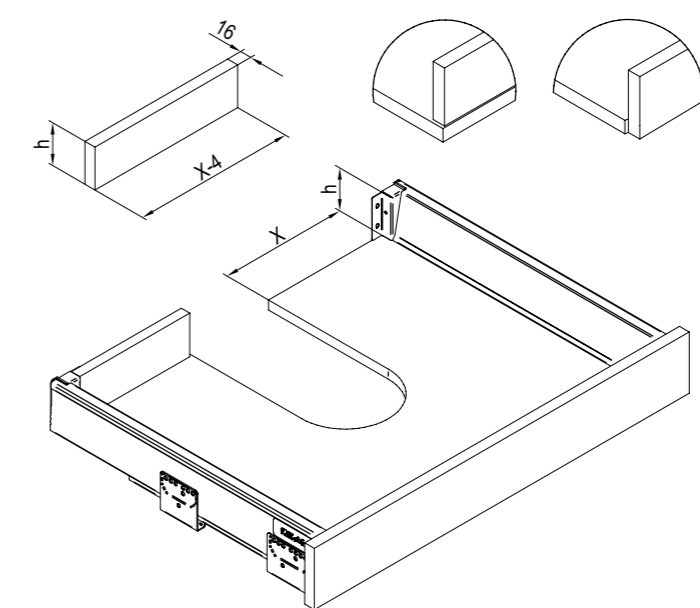
index
TH02.8202.05

colour
007, 013, 049



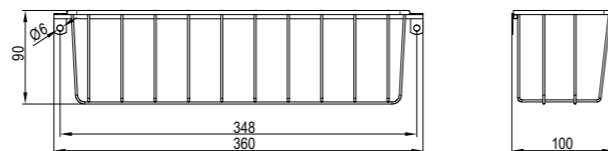
installation of the back wall on the drawer bottom

installation of the back wall behind the drawer bottom



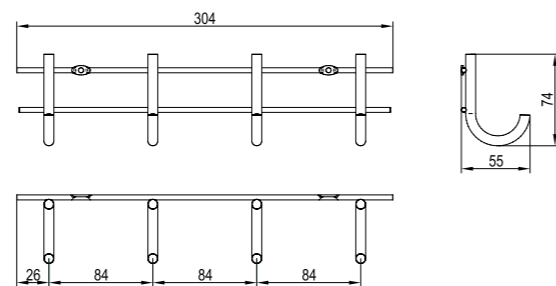
COATING CODE: 007 GRAPHITE 013 WHITE 049 SILVER

Screw-on basket for detergents



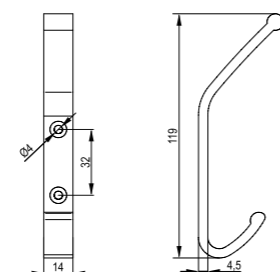
index WE19.0266.01 colour 062

Screw-on towel hanger



index WE11.0213.01 colour 062

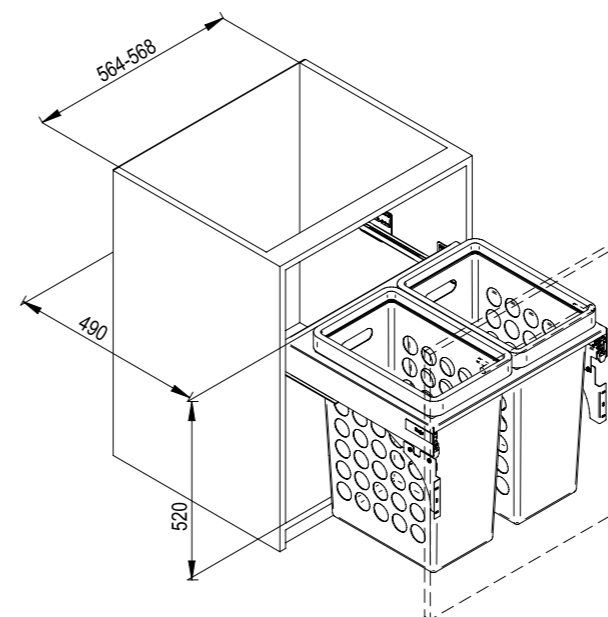
Hook WAL 01



index T121.9000.07 colour 003, 035, 039

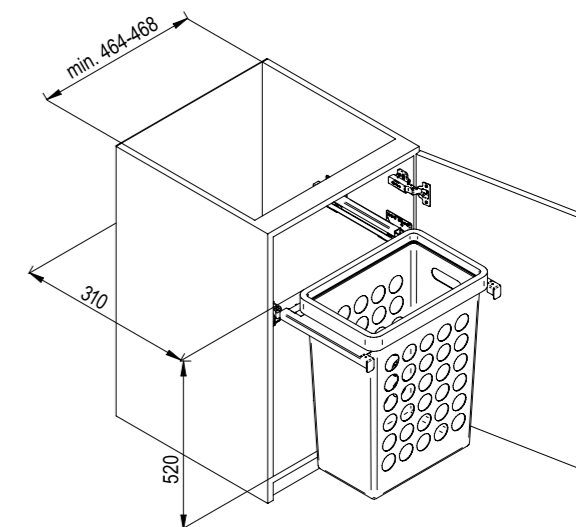
COATING CODE: 003 WHITE LACQUER 035 NATURAL C-0 039 BLACK MAT 062 ZINC

Front drawer for Laundry 600 L-480



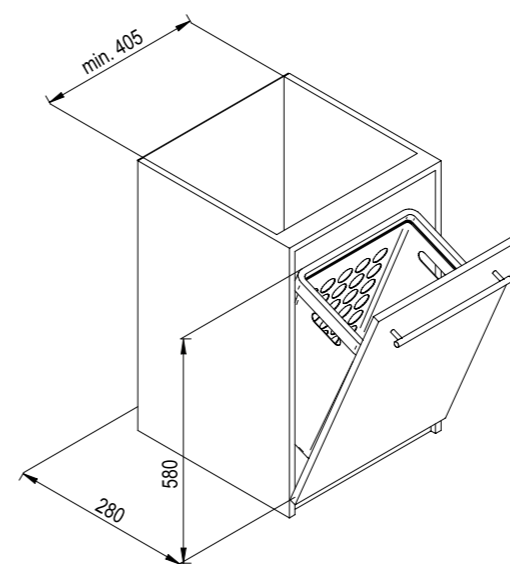
- suitable for 16/18mm boards
- maximum load capacity per system 25 kg
- 3D front regulation
- click-on front mounted
- soft close Rejs runner L-480

Internal laundry basket 500 L-300



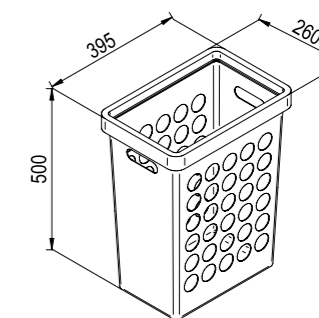
- suitable for 16/18mm boards
- maximum load capacity per system 25 kg
- runner fixing click-on
- construction avoids the hinge protrusion
- soft close Rejs runner L-300

Tilted front laundry basket 450-500



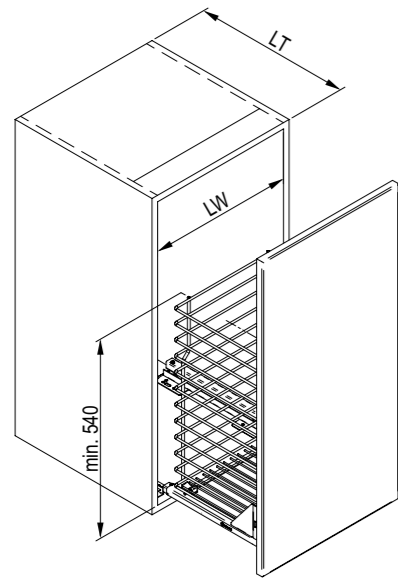
- screwed-on to the cabinet front
- fixtures used for mounting the basket are made with anti-corrosion finish

Door mounted laundry basket



- lid included
- holes ensure air circulation
- handles make it easier to remove the basket
- high quality plastic

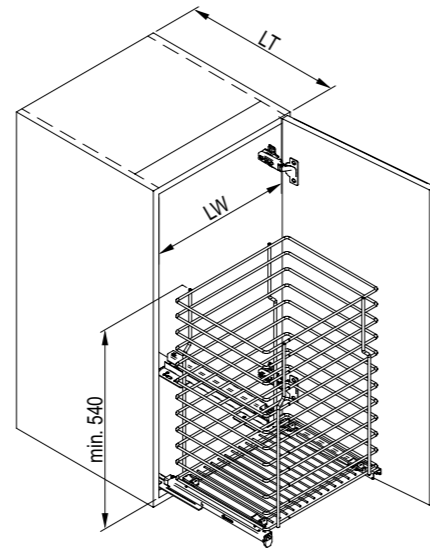
Single cargo mini base basket 300-600 L300/450 front mounted



- maximum load capacity 10 kg
- Rejs Full runner L-300 / L-450

cargo type	LW	LT L-300	LT L-450
300	min. 264		
400	min. 364		
500	min. 464	min. 320	min. 460
600	min. 564		

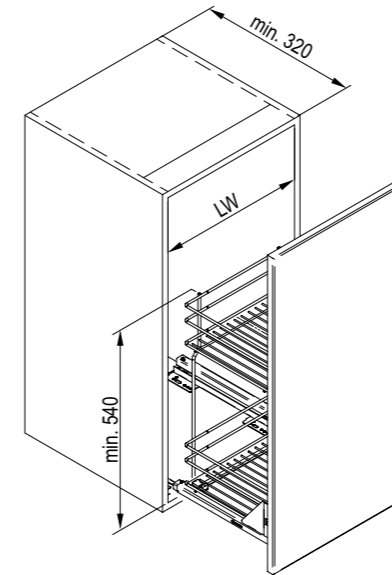
Single cargo mini base basket 300-600 L-300/450 Internal



- maximum load capacity 10 kg
- Rejs Full runner L-300 / L-450

cargo type	LW	LT L-300	LT L-450
300	min. 264		
400	min. 364		
500	min. 464	min. 320	min. 460
600	min. 564		

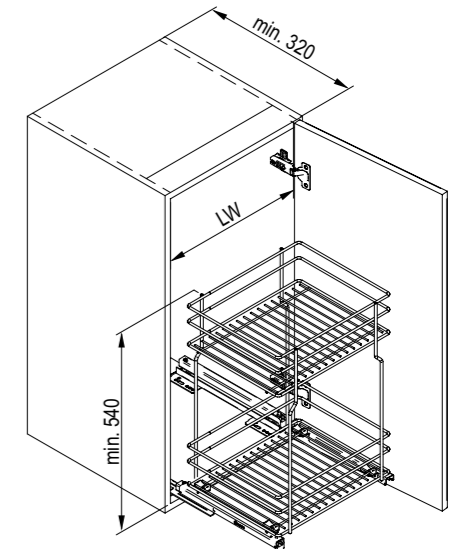
Mini base cargo 150-400 L-300 front mounted



- maximum load capacity 10 kg
- Rejs Full runner L-300

cargo type	LW
300	min. 264
400	min. 364
500	min. 464
600	min. 564

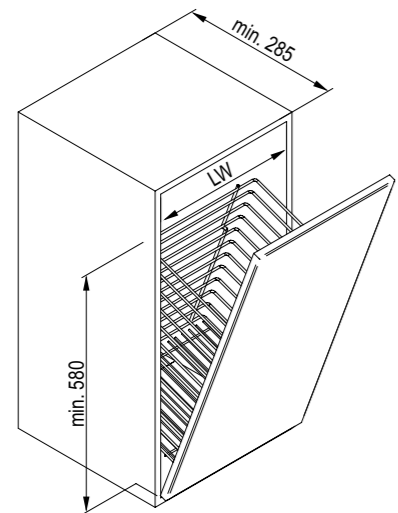
Mini base cargo 300-400 L-300 internal



- maximum load capacity 10 kg
- Rejs Full runner L-300

cargo type	LW
300	min. 260
400	min. 360
500	min. 460
600	min. 560

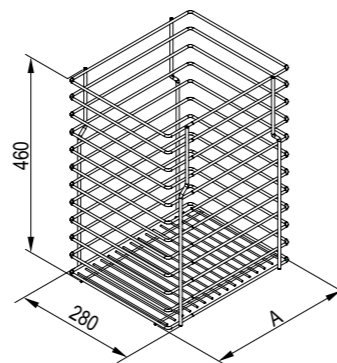
Single cargo mini base basket 300-600 L-300/450 tilted front



- fixed to cabinet front
- fittings for hanging the basket are coated with an anti-corrosive finish

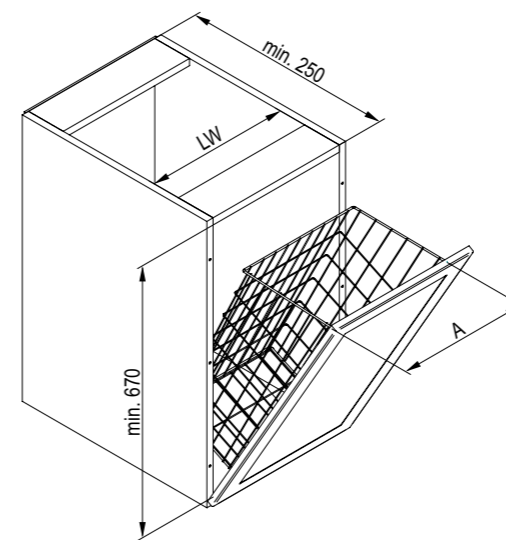
cargo type	LW
400	min. 360
500	min. 460
600	min. 560

Single base basket



cargo type	A
300	230
400	330
500	430
600	530

Wire laundry basket 300-500 for tilted fronts



cargo type	A	LW
300	233	min. 264
400	333	min. 364
500	433	min. 464

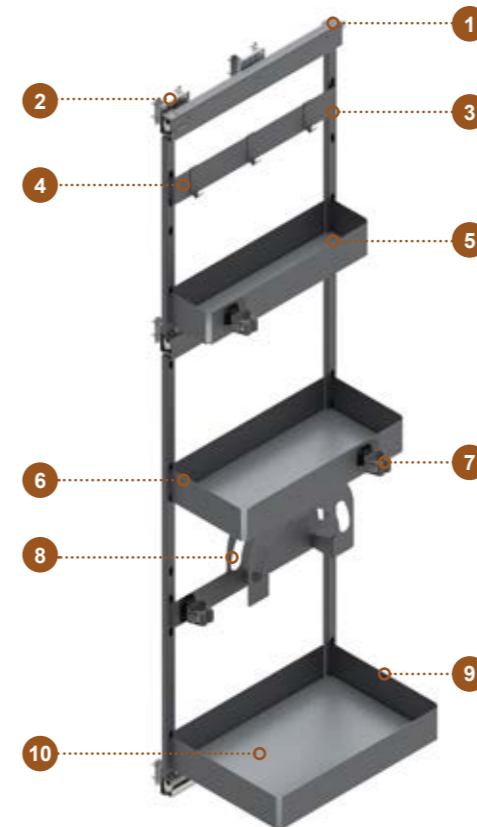
A - basket width
LW - cabinet internal width
LT - internal cabinet depth



**LAUNDRY
UTILITY ROOM**



Housekeeping set House Master



Product characteristics:

- designed for cabinets with a corpus width of min. 400 mm
- can be fitted in a cabinet with a hinged front or with sliding doors
- quick frame assembly to the runner - click on
- REJS running system with soft close
- maximum load capacity 20 kg
- easy height adjustment for hanging elements
- additional holders for mops and brushes can be purchased separately (information on page 195)

Elements included in the set:

- 1 left or right maxi side frame with guides Rejs L-500
- 2 distancer
- 3 organizational board
- 4 hook x 3
- 5 small basket
- 6 medium basket
- 7 plastic holder for handles x 3
- 8 hanger for the vacuum cleaner pipe
- 9 large basket
- 10 non-slip mats (cut to size each basket)



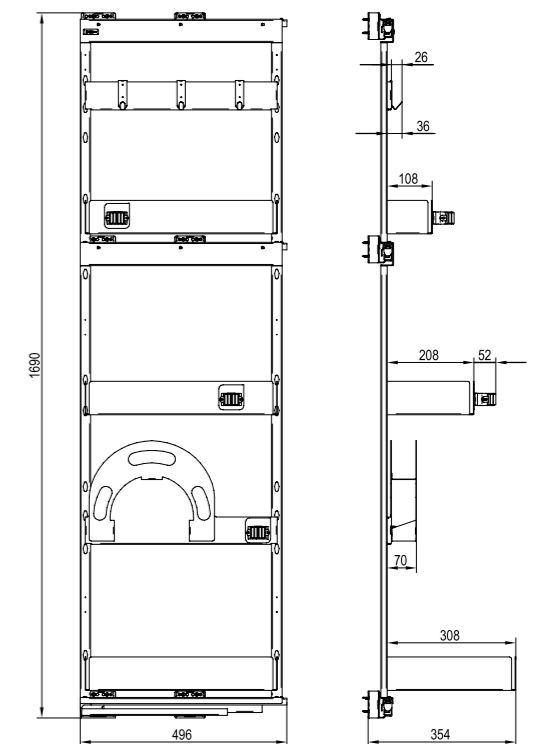
holes in the frame allow the user to choose the height at which elements are fitted



appropriately contoured hooks can be freely hung on baskets and organisational strip



plastic holders for handles, after even accommodate the vacuum cleaner hose after removing the rubber insert



fixing side	index	colour
L	WA02.3518.01	924
R	WA02.3519.01	924

COATING CODE: 924 GRAPHITE

Mini front base cargo 300-600 L-450



1 Base basket 300-600



width	index	colour
300	WE29.0005.01	001, 003, 062, 549
400	WE29.0006.01	001, 003, 062, 549
500	WE29.0007.01	001, 003, 062, 549
600	WE29.0008.01	001, 003, 062, 549

2 Base extension system REJS FULL for fronts

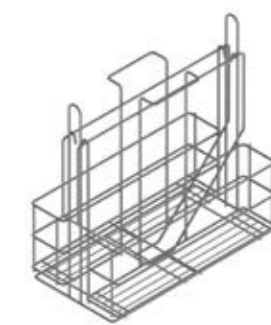


index	colour
WE29.0014.01	549

Internal mini base cargo 300 L-450 with removeable baskets for cleaning products



1 Base basket with removeable baskets for cleaning products



width	index	colour
300	WE29.0140.01	001, 062, 549

2 Base extension system REJS FULL for hinged fronts



index	colour
WE29.0128.01	549

Internal mini base cargo 300-600 L-450



1 Base basket 300-600



width	index	colour
300	WE29.0005.01	001, 003, 062, 549
400	WE29.0006.01	001, 003, 062, 549
500	WE29.0007.01	001, 003, 062, 549
600	WE29.0008.01	001, 003, 062, 549

2 Base extension system REJS FULL for hinged fronts



index	colour
WE29.0128.01	549

Internal mini base cargo 300-400 L-450 with wastebins



1 Base basket with wastebins 300-400



width	width / capacity	index	colour
300	1x20l + 1x9l	WE29.0129.05	549
300	3x9l	WE29.0130.05	549
400	2x20l	WE29.0131.05	549
400	1x20l + 2x9l	WE29.0132.05	549

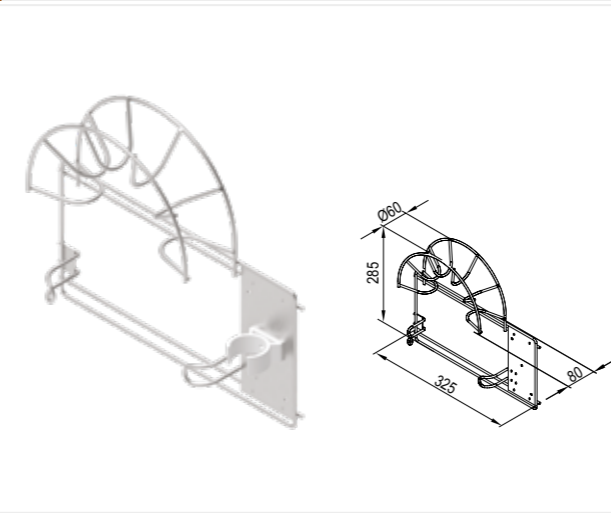
2 Base extension system REJS FULL for hinged fronts



index	colour
WE29.0128.01	549

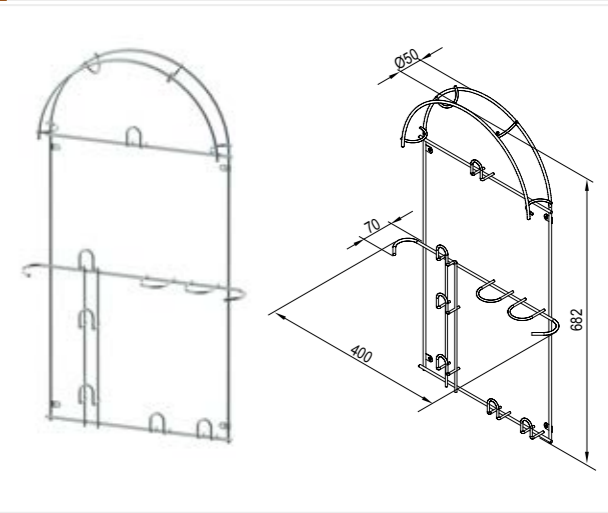


Small vacuum hose holder



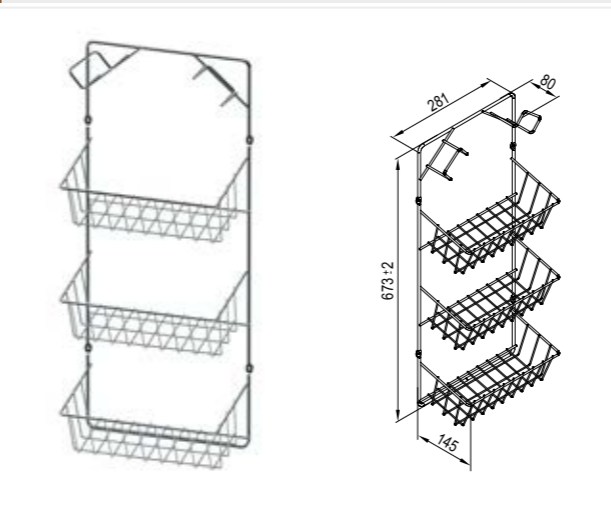
index	colour
WA01.0311.01	062

Large vacuum hose holder



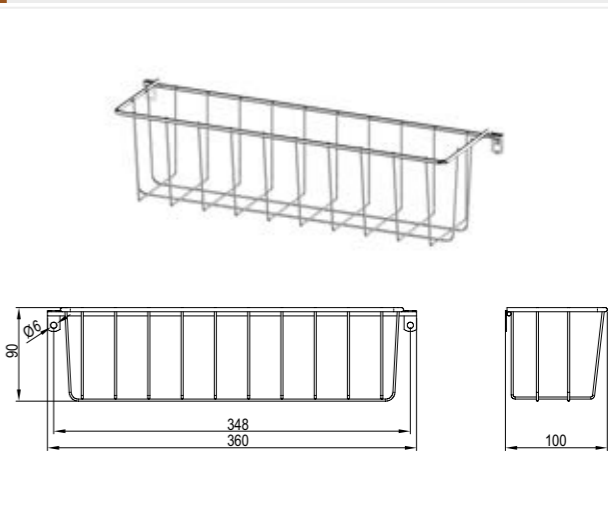
index	colour
WA01.0312.01	062

Vacuum hose holder with baskets for cleaning products



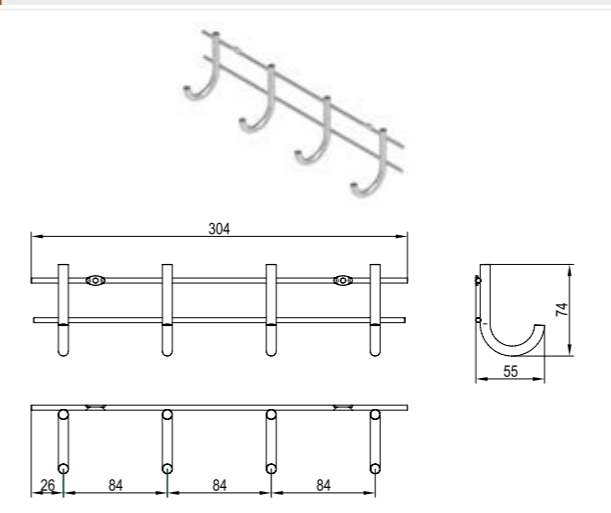
index	colour
WA01.0329.01	062

Screw-on basket for cleaning products



index	colour
WE19.0266.01	062

Screw-on towel holder



index	colour
WE11.0213.01	062

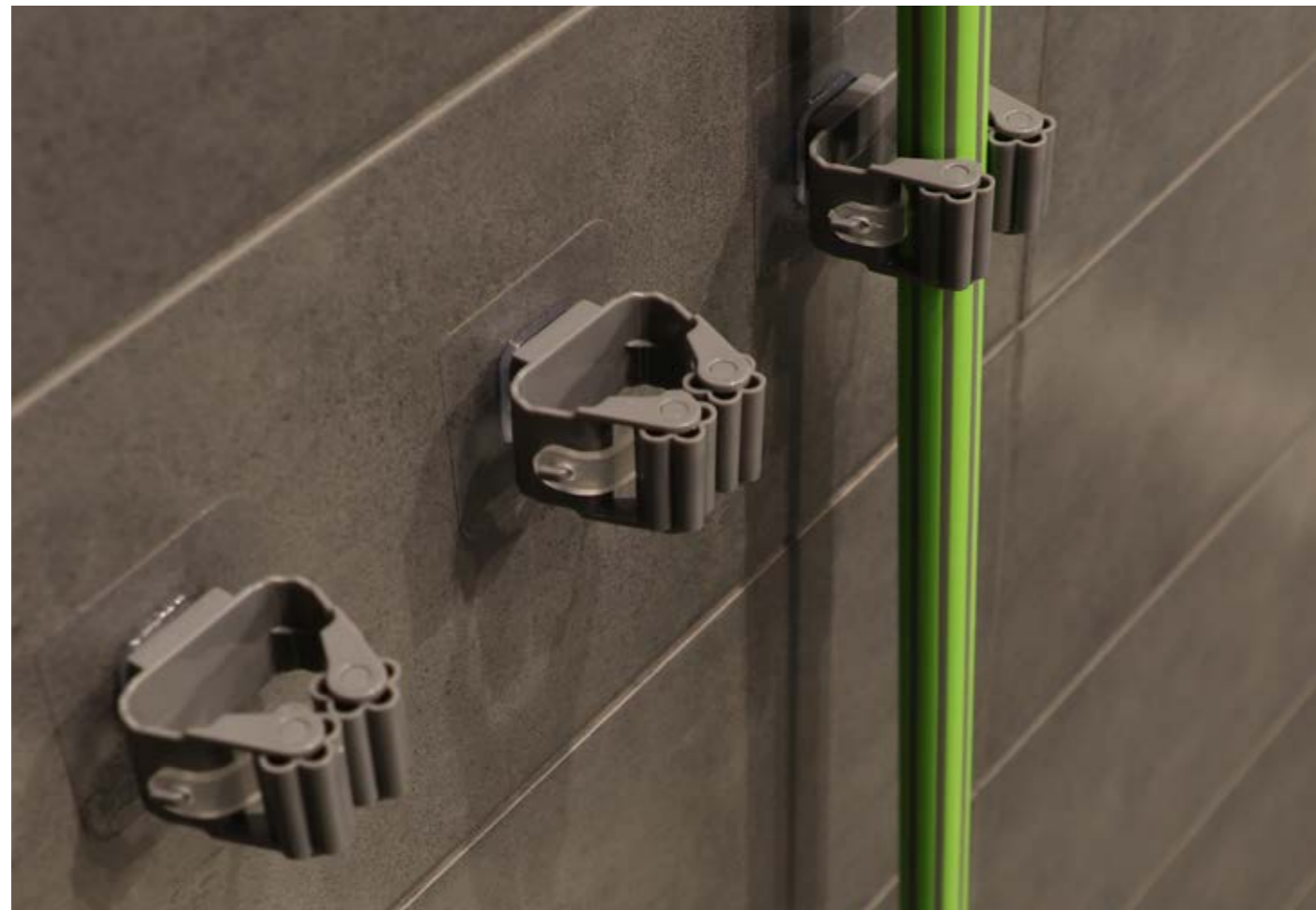
Stick-on plastic holder for broom/mop handles

Product characteristics:

- mops and brushes can be hung anywhere
- transparent self-adhesive surface
- can be fixed on any smooth surface
- diameter up to 35 mm
- vacuum cleaner hose fits, after removing the rubber insert



index
TT03.2553.00. 000



Bin holder



index	colour
WE14.2149.01	062

Universal containers for PRAKTIKO and JC wastebins



capacity	index	colour
7 l	TE22.1993.05	007, 049
9 l	TE22.1969.05	007, 049
15 l	TE22.1994.05	007, 049
20 l	TE22.1968.05	007, 049

Container handles PRATIKO and JC 7 l / 9 l i 15 l / 20 l



to waste bin	index	colour
7 l / 9 l	TE22.6580.05	007, 044, 046, 047, 089
15 l / 20 l	TE22.6568.05	007, 044, 046, 047, 089

Lids for PRAKTIKO and JC containers 7 l / 9 l and 15 l / 20 l



to waste bin	index	colour
7 l / 9 l	TE22.5680.05	007, 049
15 l / 20 l	TE22.5668.05	007, 049

Mini PRAKTIKO wastebin container



index	colour
TE22.1188.05	007, 049

COATING CODE: 007 GRAPHITE 044 BLUE 046 GREEN 047 RED 049 SILVER 062 ZINC 089 YELLOW



Drawer systems and Slim Box organisation

Details regarding ordering and product completion in the *Drawers and runners* section.



OFFICE



A modern work place

How to create a work space that will favour concentration and creative ideas, simultaneously enabling us to take care of our health? REJS furniture accessories can be relied upon for this task.

Comfort and ergonomics

Regardless of whether the discussion is about furnishing a classic office, conference room, laboratory, a corner for a home office or a children's room, the basis must be appropriately tailored to the needs of the desk user. The Futuro electric frame proposed by REJS, provides height adjustment of the desk top, and thus adaptation to the requirements of the person working and their style of work (sitting or standing).

The REJS offer for offices is complemented by additional accessories - such as a stand for the central computer unit, connectors allowing to connect desks and separate workstations and cable troughs to prevent them from tangling.





FUTURO Desk frame with electrical height adjustment

FUTURO



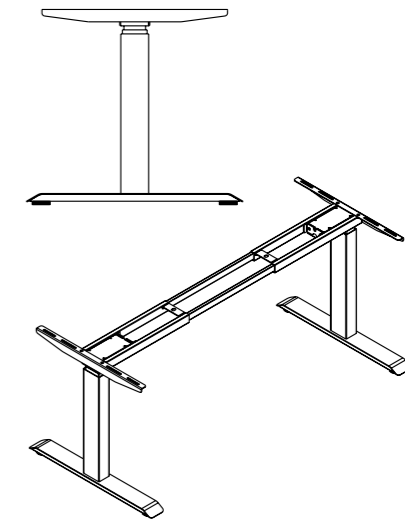
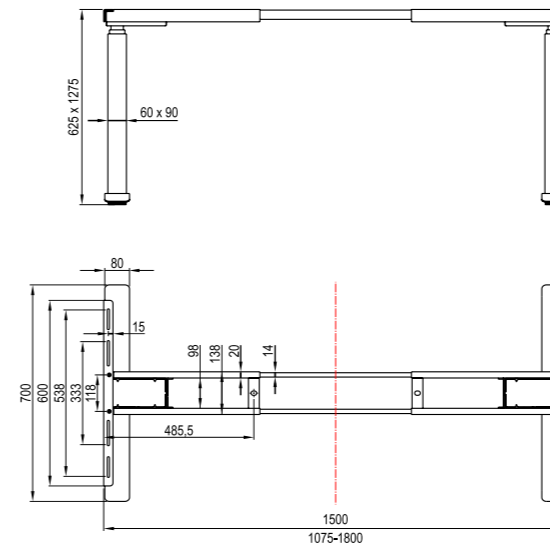
Product characteristics

- universal usage
- height adjustment 625-1275 mm
- frame width adjustment 1075-1800 mm
- maximum load capacity 80 kg
- height memory for upto four users
- anti-collision sensor
- built-in USB socket
- 2 motors guarantees a smooth movement
- legs are made of 3 columns
- power 110-230V
- maximum speed: 40 mm/s
- tested to na 60 000 cycles

Control panel



Technical information



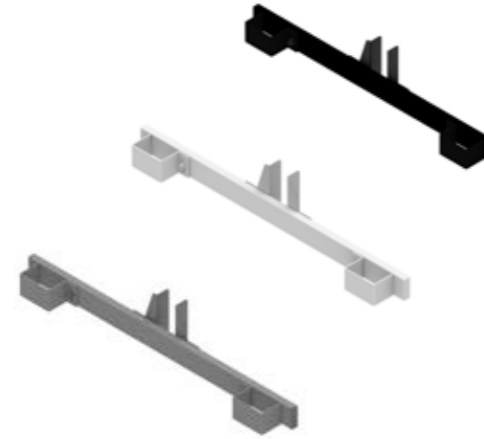
See how
FUTURO
works

index	colour
TT03.2655.01	002, 003, 055

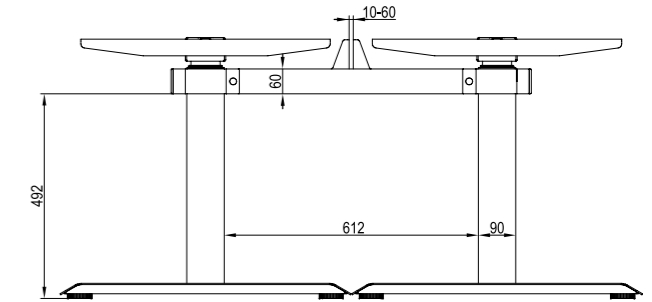
COATING CODE: 002 SILVER 003 WHITE 055 BLACK



FUTURO desk connector

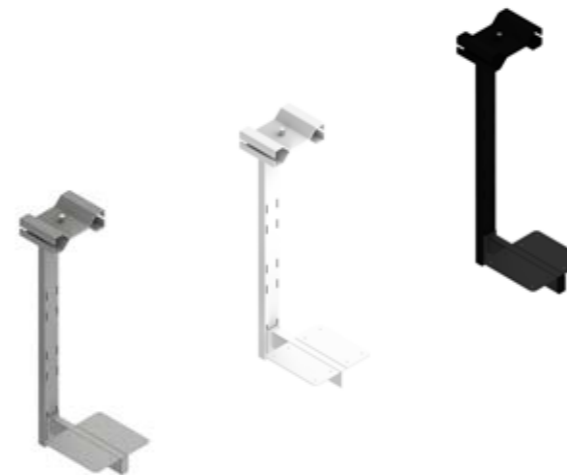


- connects desks to each other
- space to put the panel between the desktops and for separating work stations
- table tops and panels to be cut by the customer

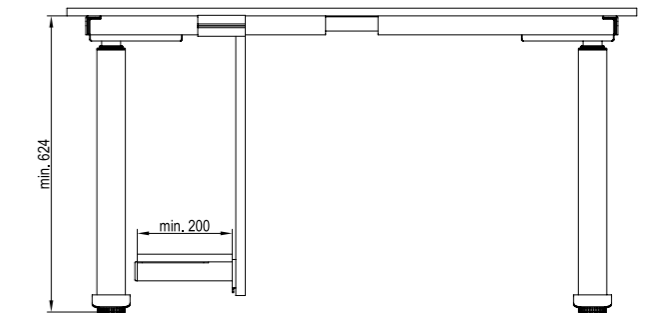


index	colour
WF01.2201.01	002, 003, 055

FUTURO Stand for control unit

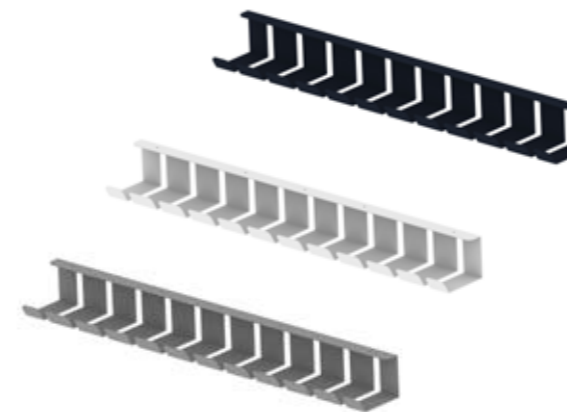


- stand for built-in computer units
- height adjustment
- board cut by the customer

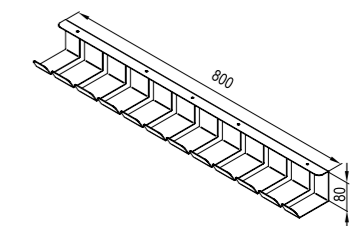


index	colour
WF01.2202.01	002, 003, 055

FUTURO cabel trough



- keep cables under the desktop tidy



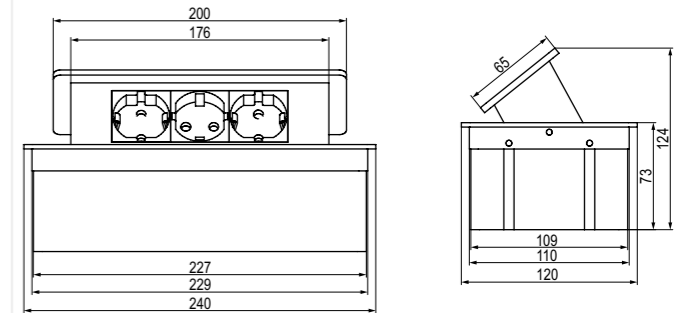
index	colour
WF01.2203.01	002, 003, 055

COATING CODE: 002 SILVER 003 WHITE 055 BLACK



ELEKTRIMA Kwadro rectangular recessed desk power

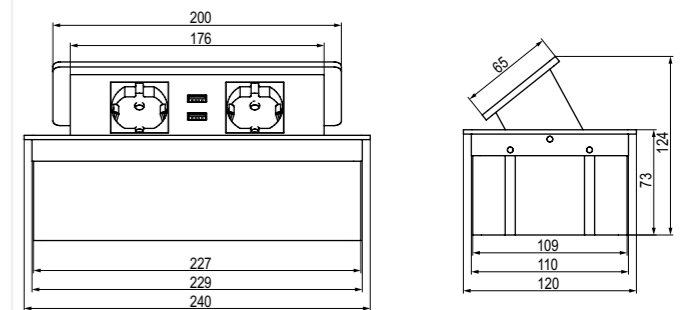
ELEKTRIMA



colour	index	socket type	material
○	TR19.0003.08.049	3 x schuko	metal/plastic
●	TR19.0003.08.061		
○	TR19.0003.08.013		
○	TR19.0013.08.049	3 x french	
●	TR19.0013.08.061		
○	TR19.0013.08.013		

ELEKTRIMA Kwadro rectangular recessed desk power

ELEKTRIMA



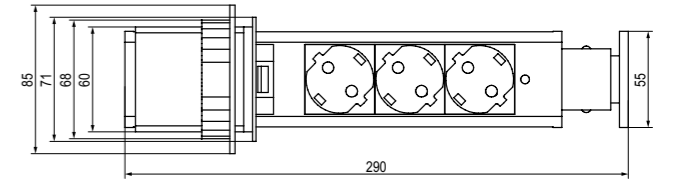
colour	index	socket type	material
○	TR19.0004.08.049	2 x schuko, 2 x USB 2,1 A 5 V	metal/plastic
●	TR19.0004.08.061		
○	TR19.0004.08.013		
○	TR19.0014.08.049	2 x french, 2 x USB 2,1 A 5 V	
●	TR19.0014.08.061		
○	TR19.0014.08.013		

COATING CODE: 013 WHITE 049 SILVER 061 BLACK



ELEKTRIMA Tubus retractable pull-out round power

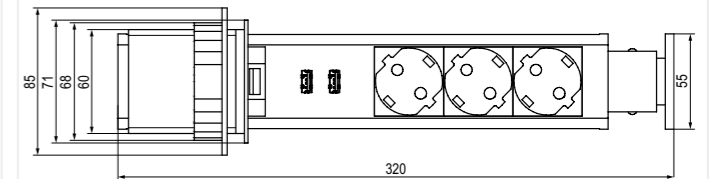
ELEKTRIMA



colour	index	socket type	material
○	TR19.0001.08.049	3 x schuko	aluminium/plastic
●	TR19.0001.08.061		
○	TR19.0015.08.049	3 x french	
●	TR19.0015.08.061		

ELEKTRIMA Tubus retractable pull-out round power

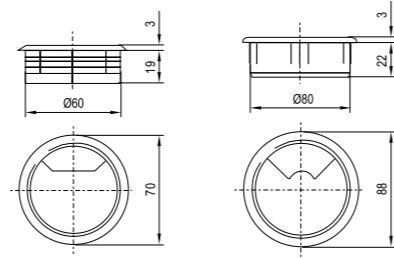
ELEKTRIMA



colour	index	socket type	material
○	TR19.0002.08.049	3 x schuko, 2 x USB 2,4 A 5 V	aluminium/plastic
●	TR19.0002.08.061		
○	TR19.0016.08.049	3 x french, 2 x USB 2,4 A 5 V	
●	TR19.0016.08.061		

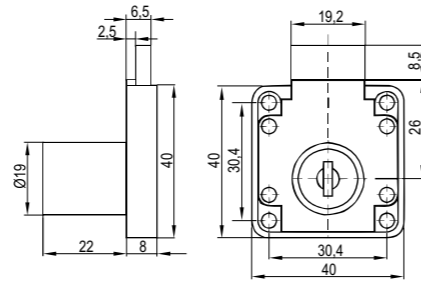
COATING CODE: 049 SILVER 061 BLACK

Cable insert



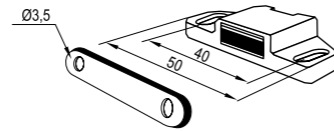
Ø	index	colour
60	TF01.0406.05	013, 038, 061, 063, 067, 070
80	TF01.0506.05	013, 061, 063

Square key lock



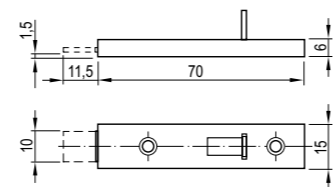
index	colour
TD02.0013.01	064

Magnetic lock + armature



index	colour
TD02.0066.08	013, 037, 061

Sliding cabinet door latch



index	colour
TD02.0003.01	064

COATING CODE: 013 WHITE 037 BROWN 038 BEECH 061 BLACK 063 ASH GREY 064 NIKEL 067 ALDER 070 DARK WALNUT





Drawer systems and Slim Box organisation

Details regarding ordering and product completion in the *Drawers and runners* section.



HINGES

and Flap fittings



Durability and peace of mind for years

Hinges and gas stays are often the forgotten components of furniture fittings, although in fact, they are vital in ensuring the functionality of furniture. The durability and quality of these components dictate whether the opening of the cabinet door will be reliable, and consistent over time. Whether the cabinet doors close silently, and softly, or give a loud and irritating crack.

Hardware for all uses

REJS offers three groups of hinges, offering solutions for various tasks and projects. The Expert line is recommended for the most demanding users. These hinges are made of high quality steel with click-on technology, enabling easy assembly and disassembly without the use of tools. The set includes cover plates to conceal hinge cup fixings and hinge adjuster screws. Expert hinges also offer soft-close functionality.

Regular hinges are recommended for standard application, whilst for those who are looking for durable, but economical solutions, the Basic group is recommended.



Application:

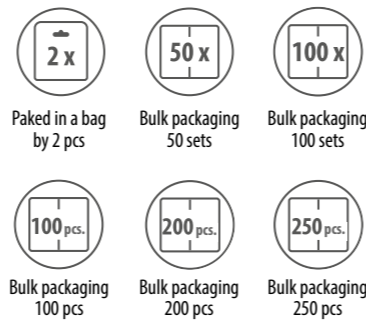
Line



Type



Packaging:



Characteristics:

Cup



Guide Type



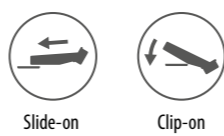
Guide Height



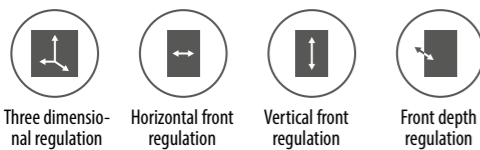
Opening Angle



Hinge-arm to guide mounting type



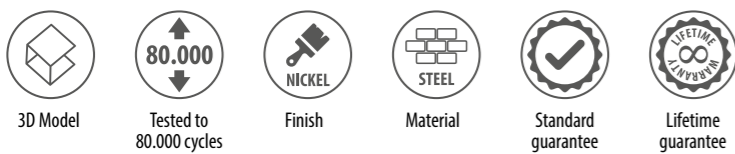
Regulation



Additional features



Additional information



Standard application

	Ø35 Expert		
Full overlay	p. 222-223	Ø35 Basic	
	Ø35 Regular		
Inset	p. 232-233	p. 234-235	

Special Application - wide opening angle

	Ø35 Expert		
130° - 165° Regulated opening angle	p. 228-229		
	Ø35 Expert		
155° Zero offset	p. 230-231		
		Ø35 Basic	
165°		p. 240-241	

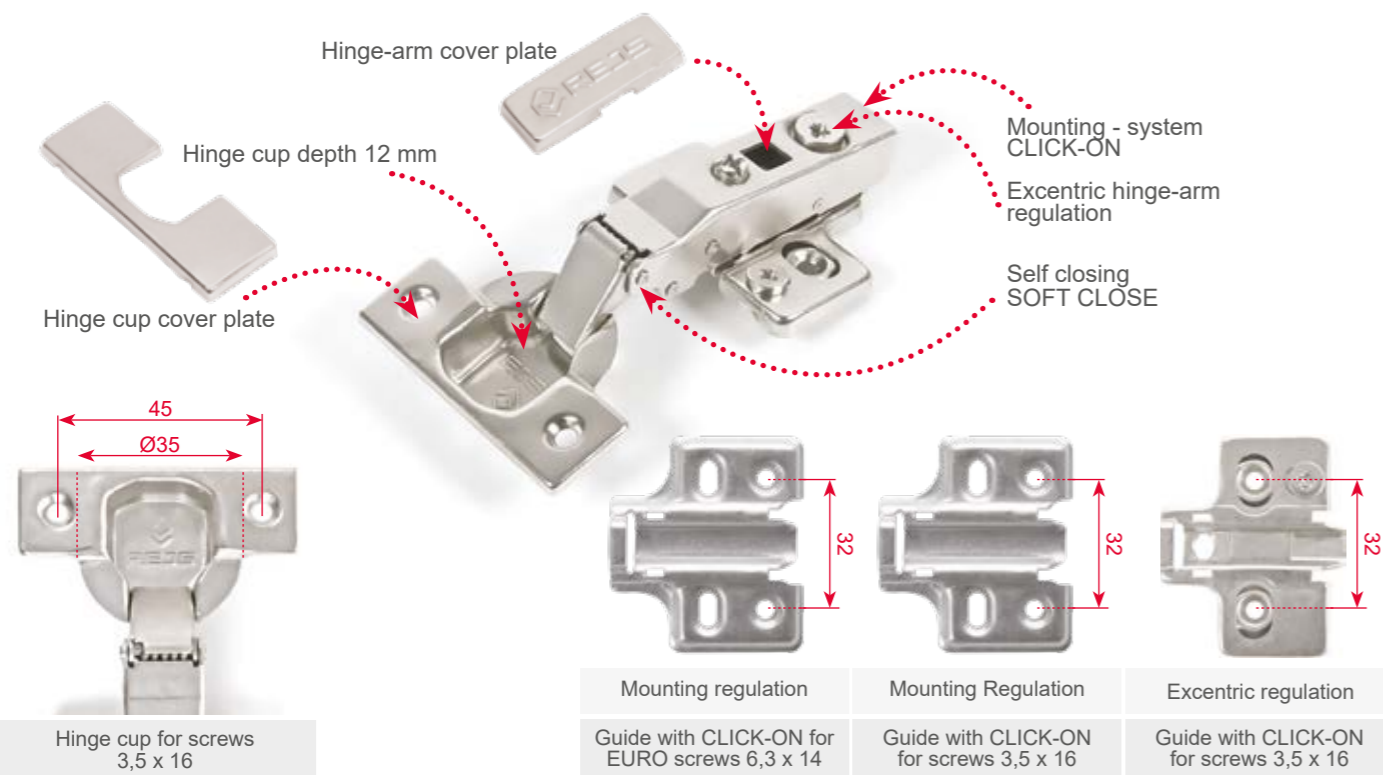
Parallel Application

	Ø35 Expert	Ø35 Basic	
Inset 90°	p. 226-227	p. 238-239	

Angled application

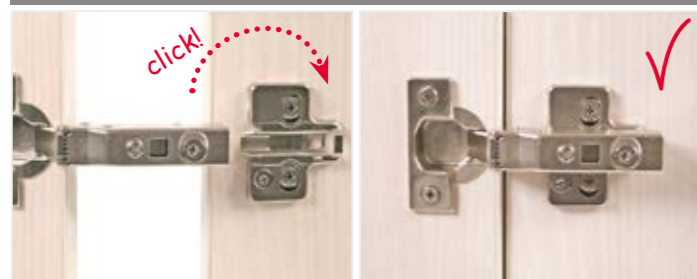
	Ø35 Expert	Ø35 Basic	
+45°	p. 224-225	p. 236-237	

Expert hinge



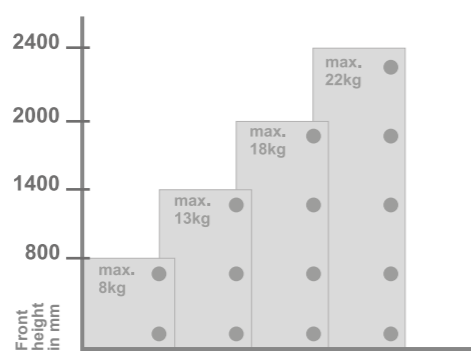
Expert hinges with 35 cup. Aesthetic and functional hinges combined with the SOFT CLOSE function, ensuring gentle and quiet closing of cabinet doors. The eccentric adjustment allows you to set the cabinet door in the right position in one step.

Mounting of the hinge-arm to the guide.



CLICK-ON
Simple assembly and disassembly without tools by pressing the hinge arm into the guide.

Hinge quantities



! The number of hinges depends on the height and weight of the cabinet front. Stability ensures the greatest possible distance between the hinges. The data refers to cabinet fronts with a width of 600 mm.

High quality

- tested according to standards PN-EN 15570:2010 to 80.000 Cycles
- covered by a lifetime warranty

Aesthetic performance

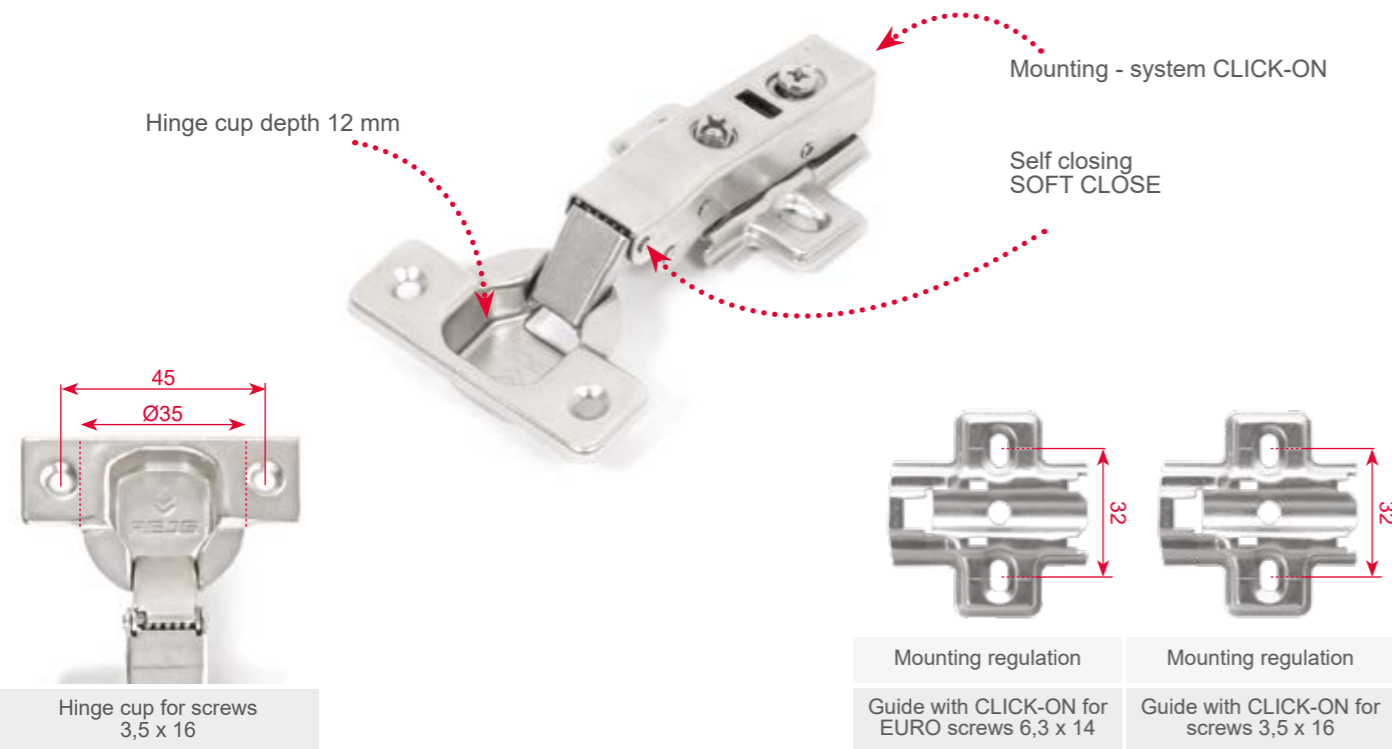
- Signed with the REJS logo
- Cover plate for hinge-arm and hinge-cup included (except the wide-angle hinge)



Packing

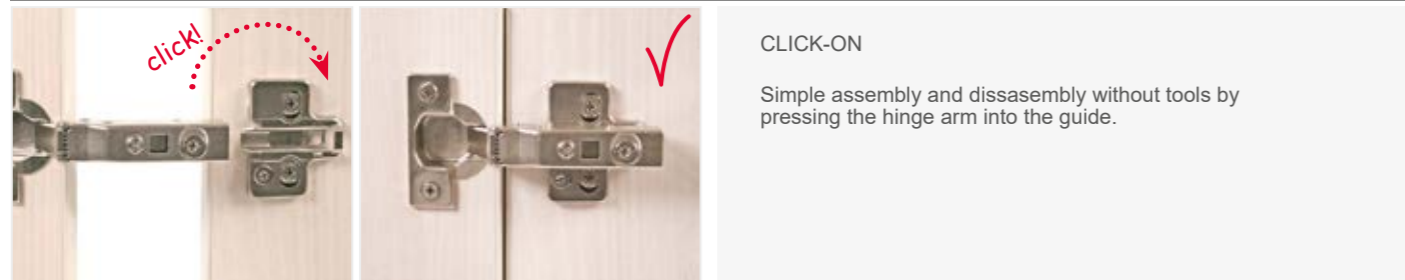
- Packed in pairs in printed bags
- Set includes: hinge, guide, coverplates and screws

Regular hinge



Regular hinges with a cup Ø35. Aesthetic and functional hinges with SOFT CLOSE, ensuring gentle and silent closing of cabinet doors.

Mounting of the hinge-arm to the guide.

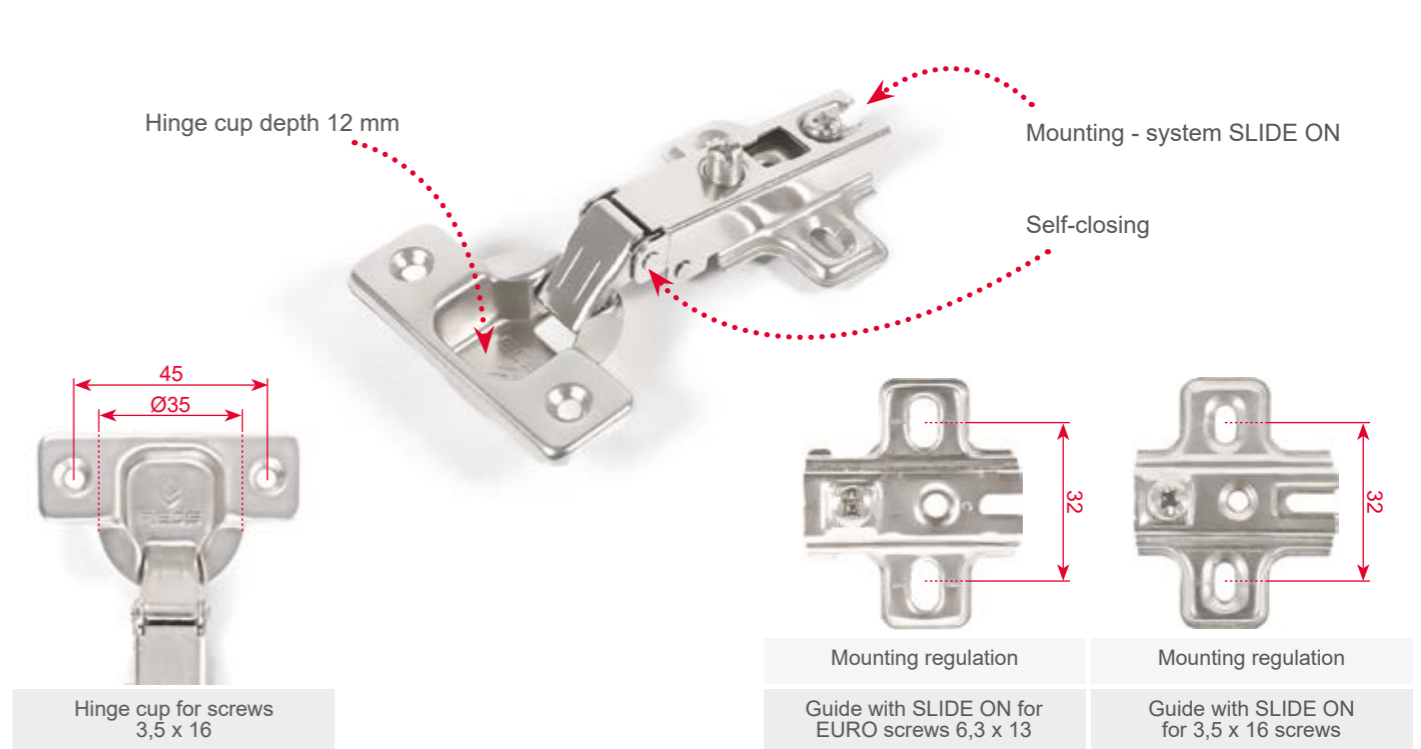


Hinge quantities



! The number of hinges depends on the height and weight of the cabinet front. Stability ensures the greatest possible distance between the hinges. The data refers to cabinet fronts with a width of 600 mm.

Basic hinge

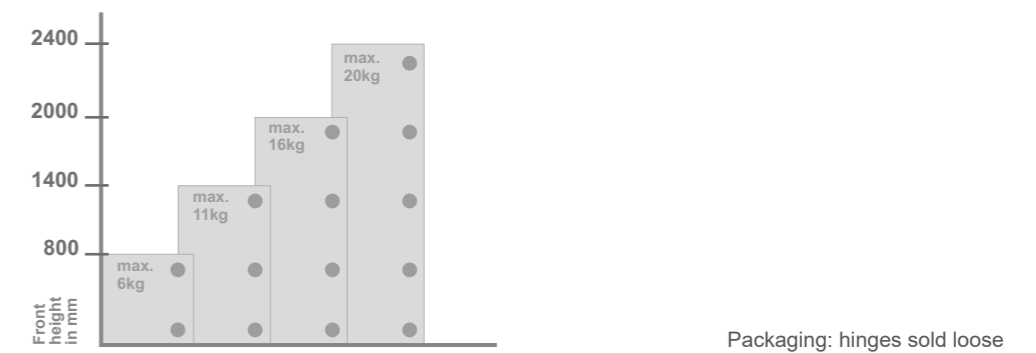


Classic hinges with cup 35. Combine reliable operation with classic design.

Mounting of the hinge-arm to the guide.



Hinge quantities

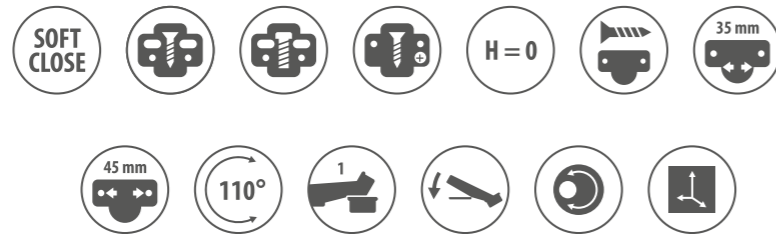


! The number of hinges depends on the height and weight of the cabinet front. Stability ensures the greatest possible distance between the hinges. The data refers to cabinet fronts with a width of 600 mm.

Application



Characteristics



Packing



Additional information

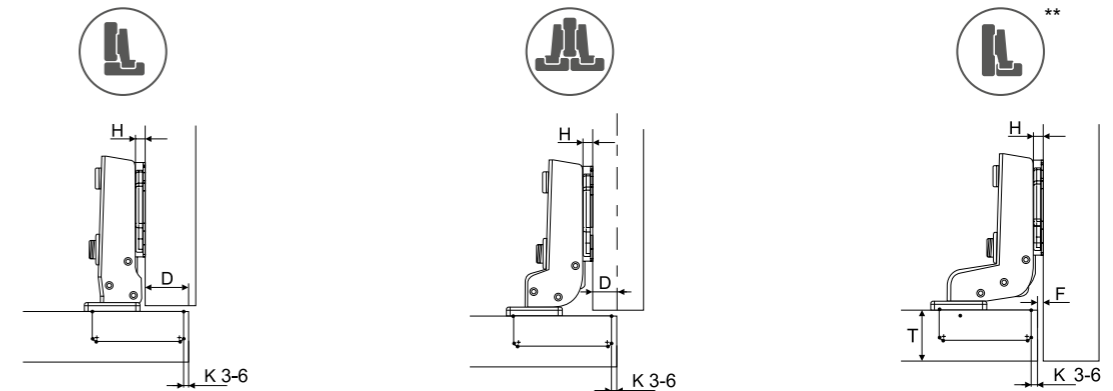


Hinge components

	Mounting regulation		Excentric regulation		H	Number of screws per hinge	
	screw EURO 6,3 x 14	screw 3,5 x 16	screw 3,5 x 16			screw EURO 6,3 x 14	screw 3,5 x 16
Overlay 110 crank 0	index	index	index				
	-	TJ01.7101.01.064	-		0	-	6
	-	-	TJ01.7199.01.064		0	-	4
	TJ01.7166.01.064	-	-		0	2	4
Partial overlay	index	index	index				
	-	TJ01.8102.01.064	-		0	-	6
	-	-	TJ01.7124.01.064		0	-	4
	TJ01.7187.01.064	-	-		0	2	4
Inset	index	index	index				
	-	TJ01.8204.01.064	-		0	-	6
	-	-	TJ01.7125.01.064		0	-	4
	TJ01.7177.01.064	-	-		0	2	4

COATING CODE: 064 NICKEL

Cabinet Door Positioning



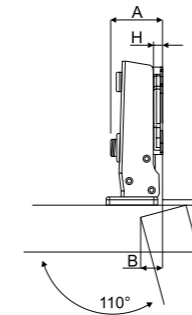
$H=11+K-D$

$H=1,5+K-D$

$H=-7+K+F$

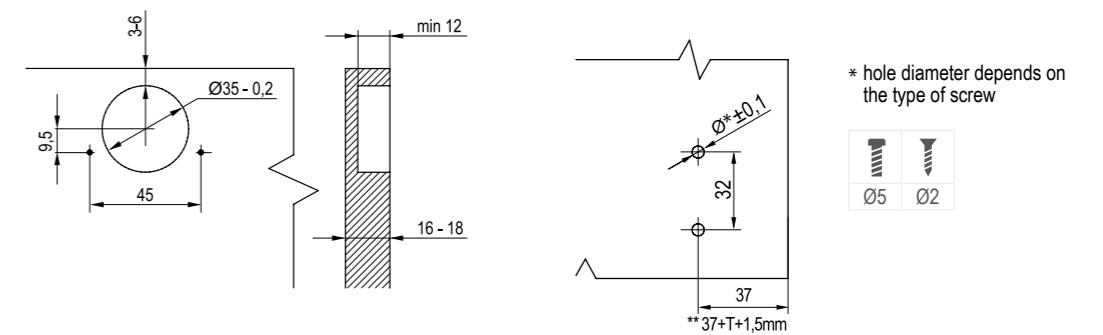
** move back the guide according to the thickness of the cabinet door

H=0	K=	3	4	5	6	H=0	K=	3	4	5	6	H=0	K=	3	4	5	6
	D=	14	15	16	17		D=	4,5	5,5	6,5	7,5		F=	4	3	1	1



A	25 + H	30 + H	38,5 + H
B	8,5 + H	18 + H	26,5 + H

Cup installation and hinge guide measurements



Adjustment



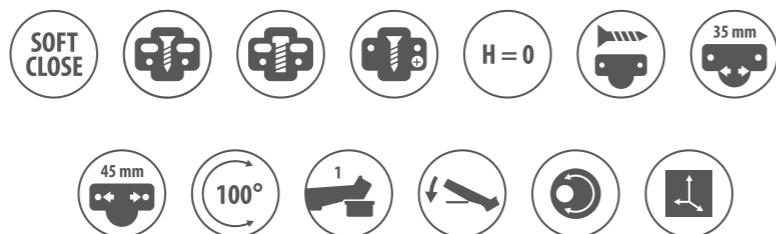
Legend

D - Cabinet Door Positioning
K - Cup positioning
F - Reveal
T - Thickness of the cabinet door
H - Height of the guide
A - Crank Height
B - Overlap

Application



Characteristics




Packing



Additional information



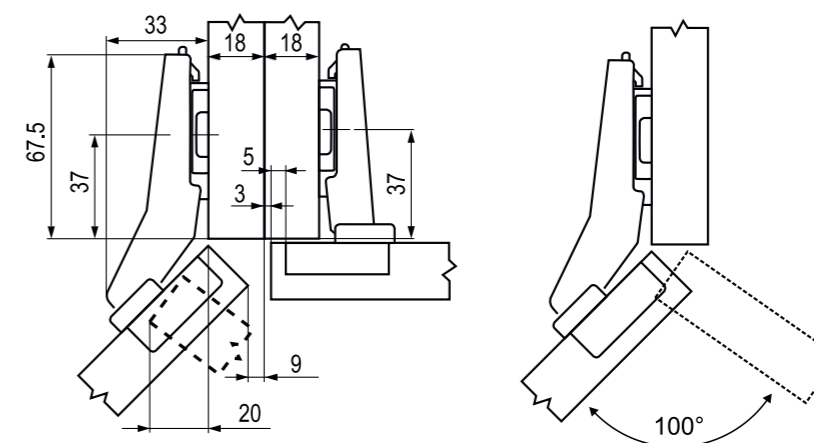
Hinge components

	Mounting regulation		Excentric regulation		H	Number of screws per hinge	
	screw EURO 6,3 x 14	screw 3,5 x 16	screw 3,5 x 16			screw EURO 6,3 x 14	screw 3,5 x 16
Partial overlay +45° I	index		index				
	TJ01.2806.01.064	-	-	TJ01.2808.01.064	0	2	2
	-	-	-	-	0	-	4
	-	TJ01.2805.01.064	-	-	0	-	6

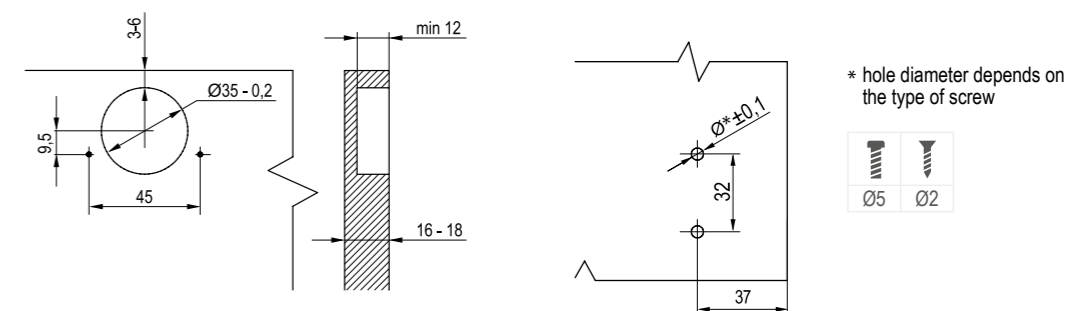


COATING CODE: 064 NICKEL

Cabinet Door Positioning



Cup installation and hinge guide measurements



Regulation



-2 / +2 mm



-2 / +2 mm

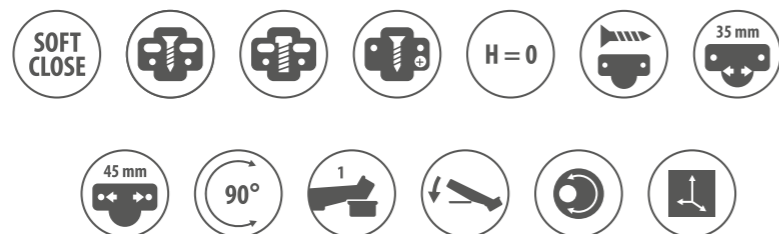


-1 / +3 mm

Application



Characteristics



Packing



Additional information



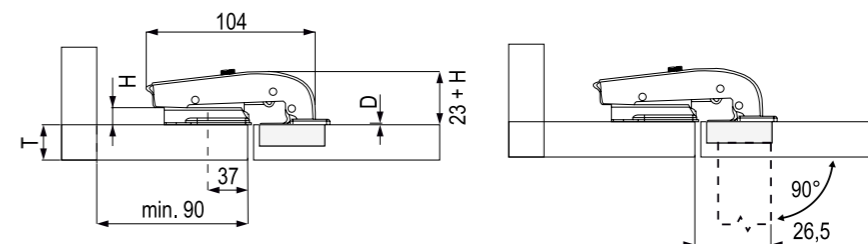
Hinge components

	Mounting regulation		Excentric regulation		H	Number of screws per hinge	
	screw EURO 6,3 x 14	screw 3,5 x 16	screw 3,5 x 16			screw EURO 6,3 x 14	screw 3,5 x 16
Inset 90°	index		index				
	TJ01.3009.01.064	-	-	TJ01.3014.01.064	0	4	2
	-	-	-	TJ01.3010.01.064	0	-	4
	-	TJ01.3010.01.064	-	-	0	-	6



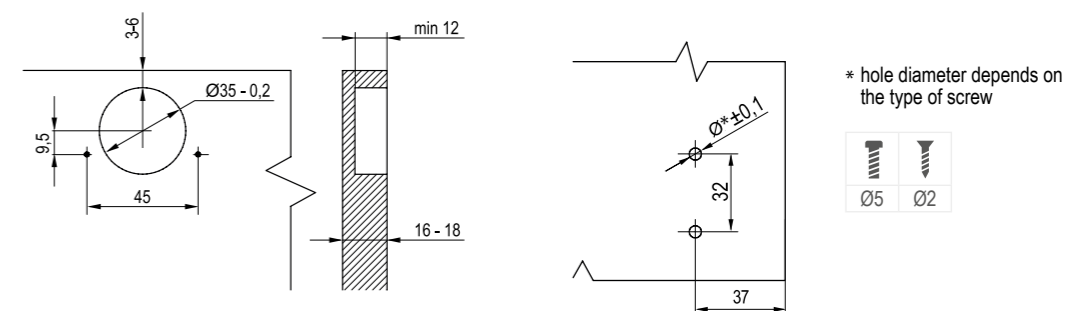
COATING CODE: 064 NICKEL

Cabinet Door Positioning



H=0 D=0

Cup installation and hinge guide measurements



* hole diameter depends on the type of screw



Regulation



-2 / +2 mm



-2 / +2 mm



-1 / +3 mm

Legend

D - Cabinet Door Positioning
K - Cup positioning
T - Thickness of the cabinet door
H - Height of the guide

Application



Characteristics



Packing



Additional information



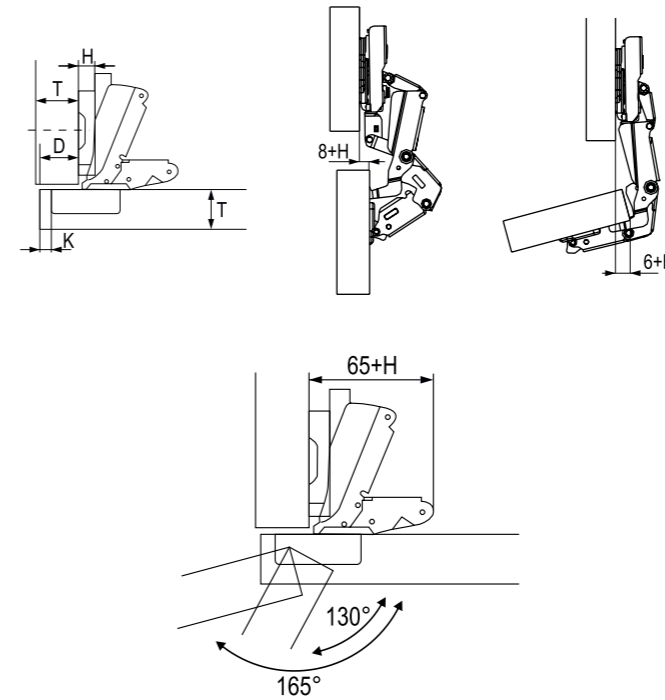
Hinge components

	Excentric regulation		Number of screws per hinge	
	screw 3,5 x 16			
Overlay 130° - 165°	index	H	screw EURO 6,3 x 14	screw 3,5 x 16
	TJ01.7129.01.064	0	-	4
	TJ01.7115.01.064	2	-	4



COATING CODE: 064 NICKEL

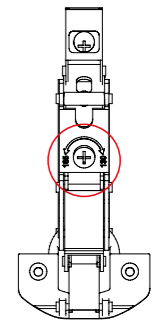
Cabinet Door Positioning / overlay hinge 130° - 165°



H=13+K-D

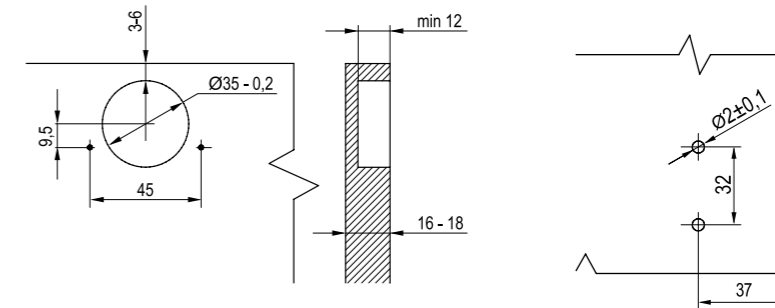
	K=	3	4	5	6	7
H=0	D=	14	15	16	17	18
H=2	D=	12	13	14	15	16
H=4	D=	10	11	12	13	14

Opening angle regulation



130° - 165°

Cup installation and hinge guide measurements



Regulation



-2 / +2 mm



-2 / +2 mm



-1 / +3 mm

Legend

D - Cabinet Door Positioning
K - Cup positioning
T - Thickness of the cabinet door
H - Height of the guide

Application



Characteristics




Packing



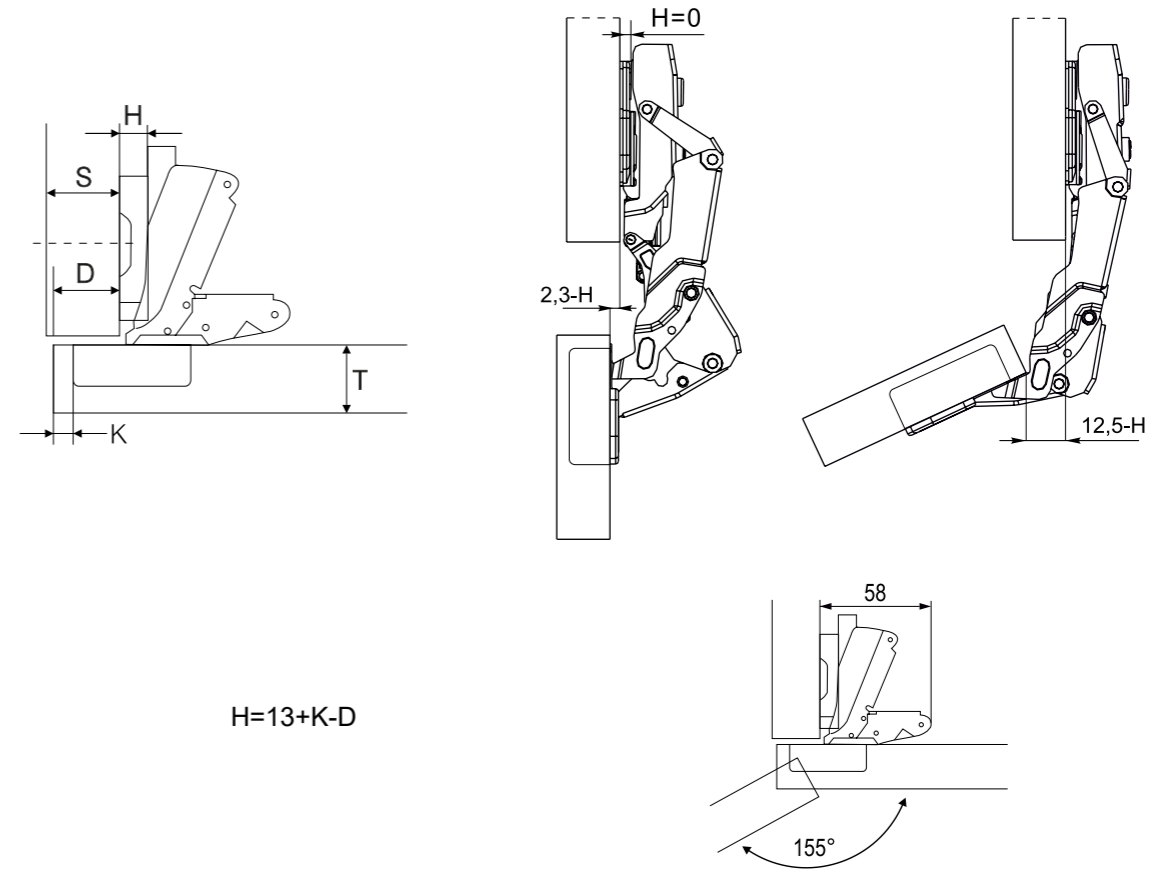
Additional information



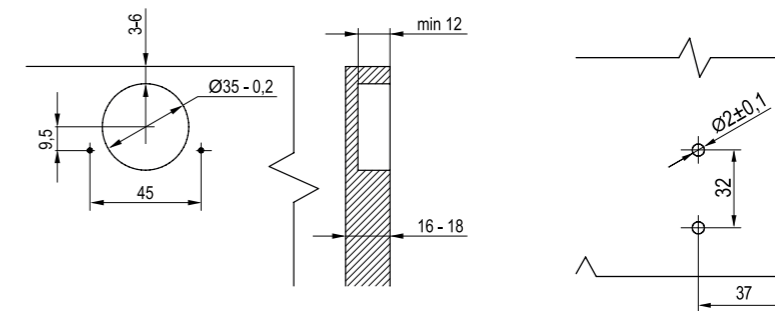
Hinge components

	Excentric regulation		Number of screws per hinge	
	index	H	screw EURO 6,3 x 14	screw 3,5 x 16
 Overlay 155°	TJ01.7111.01.064	0	-	4
	TJ01.7119.01.064	2	-	4

Cabinet Door Positioning



Cup installation and hinge guide measurements



Regulation



-2 / +2 mm



-2 / +2 mm



-1 / +3 mm

Legend

D - Cabinet Door Positioning
K - Cup positioning
T - Thickness of the cabinet door
H - Height of the guide

Application



Characteristics



Packing



Additional information



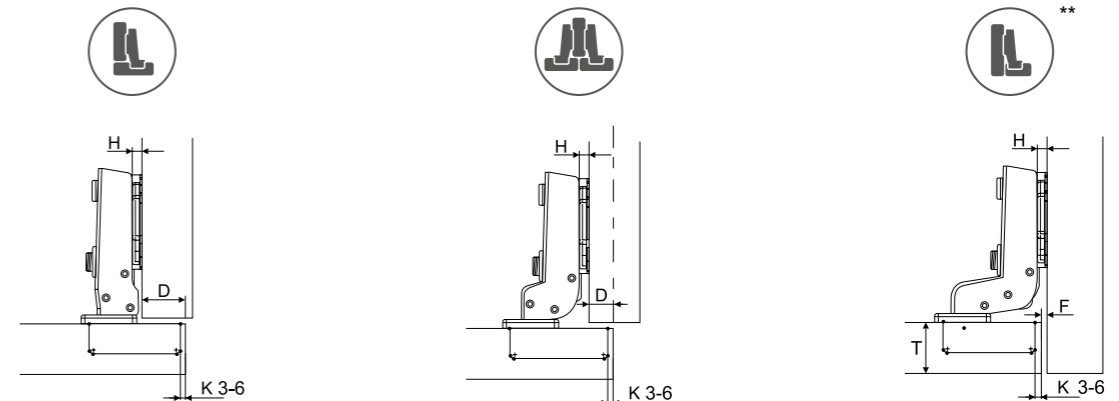
Hinge components

	Mounting regulation		H	Number of screws per hinge	
	screw EURO 6,3 x 14	screw 3,5 x 16		screw EURO 6,3 x 14	screw 3,5 x 16
Overlay 110° crank 0°	index	index			
	-	TJ01.5401.01.064	0	-	4
	-	TJ01.6986.01.064*	0	-	-
	TJ01.6966.01.064*	-	0	2	2
Partial overlay 110° crank 8°	index	index			
	-	TJ01.5402.01.064	0	-	4
	TJ01.6987.01.064*	-	0	-	-
	-	TJ01.6902.01.064*	0	-	4
Inset 110° crank 15°	index	index			
	-	TJ01.6804.01.064	0	-	4
	-	TJ01.6988.01.064*	0	-	4
	TJ01.6977.01.064*	-	0	2	2

* - indexes marked with * apply to products packed loose in a cardboard box of 100 pcs

COATING CODE: 064 NICKEL

Cabinet Door Positioning



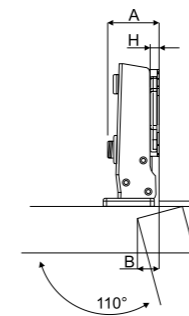
$H=11+K-D$

$H=1,5+K-D$

$H=-7+K+F$

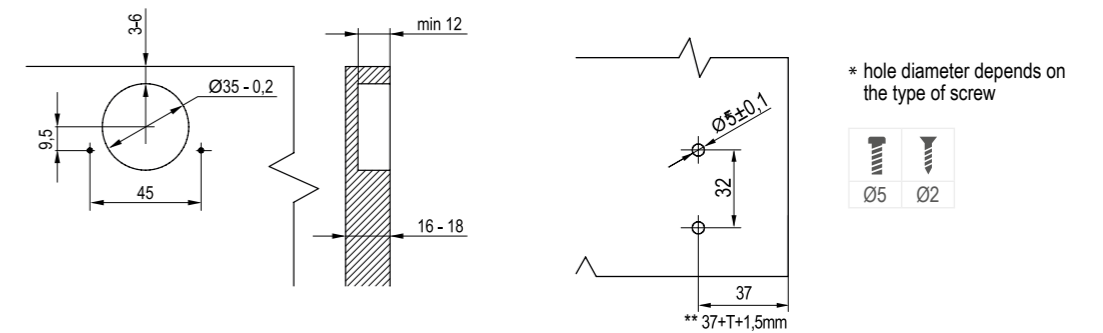
** move back the guide according to the thickness of the cabinet door

H=0	K=	3	4	5	6	H=0	K=	3	4	5	6	H=0	K=	3	4	5	6
	D=	14	15	16	17		D=	4,5	5,5	6,5	7,5		F=	4	3	1	1



A	25 + H	30 + H	38,5 + H
B	8,5 + H	18 + H	26,5 + H

Cup installation and hinge guide measurements



Regulation



-2 / +2 mm



-2 / +2 mm



-1 / +3 mm

Legend

D - Cabinet Door Positioning
K - Cup positioning
F - Reveal
T - Thickness of the cabinet door
H - Height of the guide
A - Crank Height
B - Overlap

Application



Characteristics



Packing



Additional information

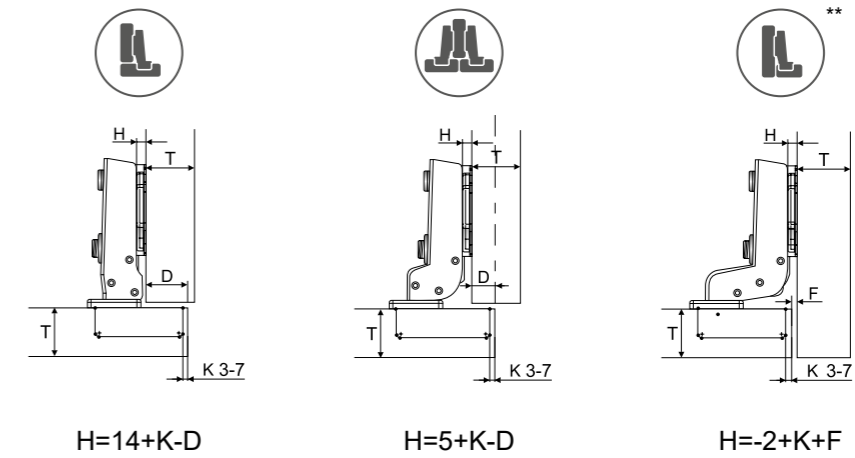


Hinge components

	Mounting Regulation		H	Number of screws per hinge	
	screw EURO 6,3 x 13	screw 3,5 x 16		screw EURO 6,3 x 13	screw 3,5 x 16
	index	index			
Overlay 110° crank 0°	-	TJ09.0013.01.064	0	-	-
	TJ09.0014.01.064	-	0	2	-
	without spring	TJ01.8993.01.064	0	-	-
Partial overlay 110° crank 8°	-	TJ09.0011.01.064	0	-	-
	TJ09.0012.01.064	-	0	2	-
	TJ01.8903.01.064	-	2	2	-
Inset 110° crank 15°	-	TJ09.0009.01.064	0	-	-
	TJ09.0010.01.064	-	0	2	-
	TJ01.8904.01.064	-	0	2	-
	-	TJ01.5904.01.064	0	-	-
	TJ01.5804.01.064	-	2	2	-

COATING CODE: 064 NICKEL

Cabinet Door Positioning



** Move back the guide according to the thickness of the cabinet door

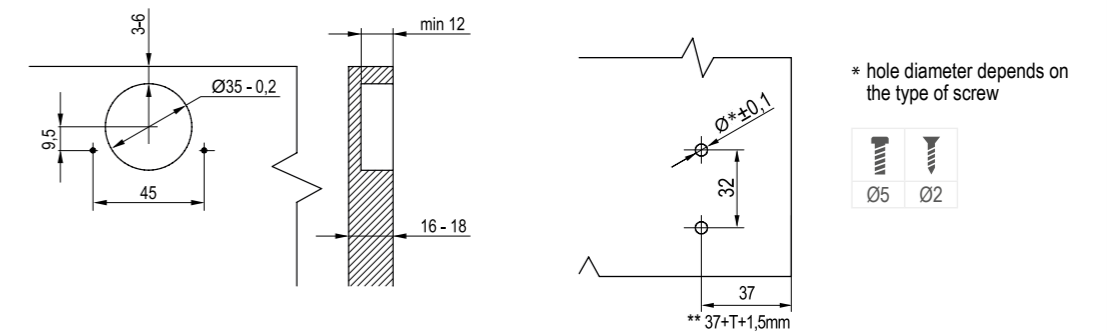
Use the formulas to determine the position of the cup (H).

Overlay cabinet doors: $H=14+K-D$

Partial overlay cabinet doors: $H=5+K-D$

Front Inset: $H=-2+K+F$

Cup installation and hinge guide measurements



Regulation



Legend

D - Cabinet Door Positioning
K - Cup positioning
F - Reveal
T - Thickness of the cabinet door
H - Height of the guide

Application



Characteristics



Packing



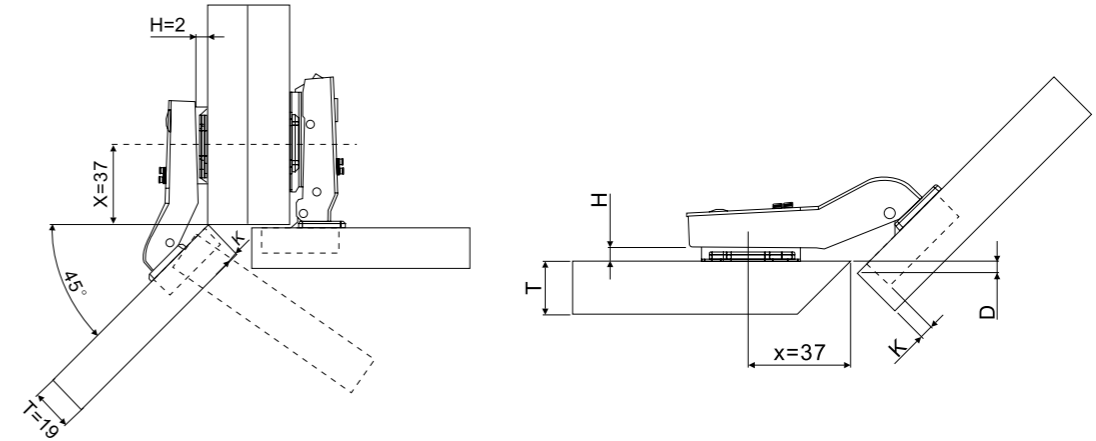
Additional information



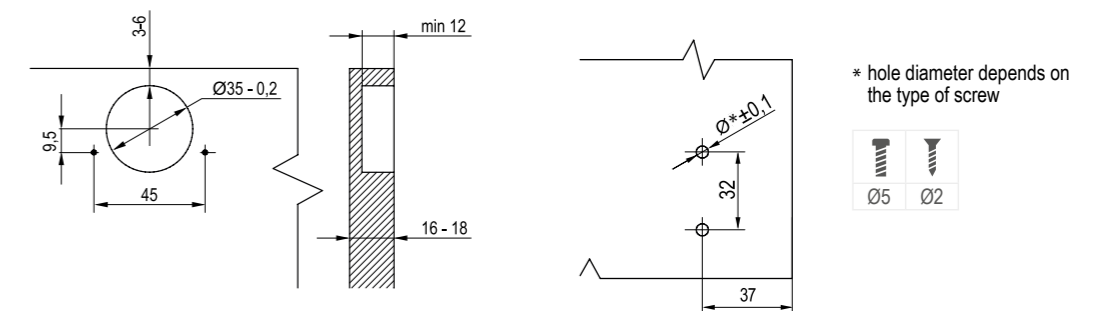
Hinge components

	Mounting Regulation		H	Number of screws per hinge	
	screw EURO 6,3 x 13	screw 3,5 x 16		screw EURO 6,3 x 13	screw 3,5 x 16
Partial overlay +45° I	index	index			
	-	TJ01.9708.01.064	2	-	-
	TJ01.5808.01.064	-	2	2	-

Cabinet Door Positioning / +45° I angle partial overlay hinge



Cup installation and hinge guide measurements



Regulation



-2 / +2 mm



-2 / +2 mm



-1 / +3 mm

Legend

KB - Width of the cabinet door
LW - Inner corpus width
D - Cabinet Door Positioning
K - Cup positioning
T - Thickness of the cabinet door
H - Height of the guide

COATING CODE: 064 NICKEL

Application



Characteristics



Packing



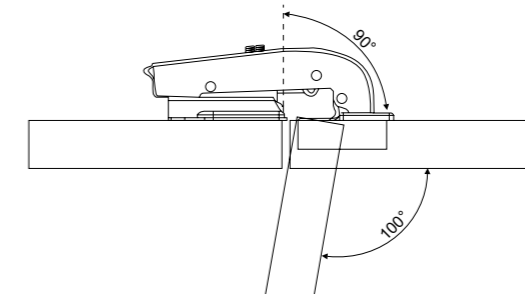
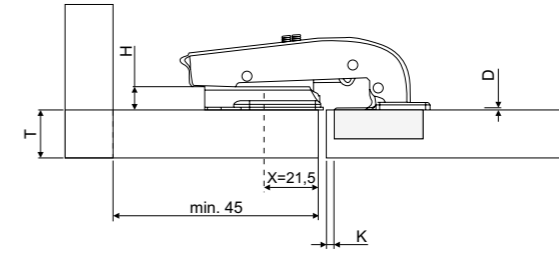
Additional information



Hinge components

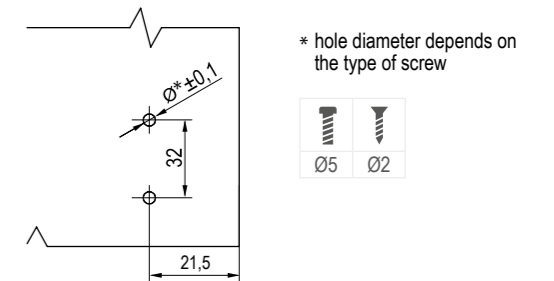
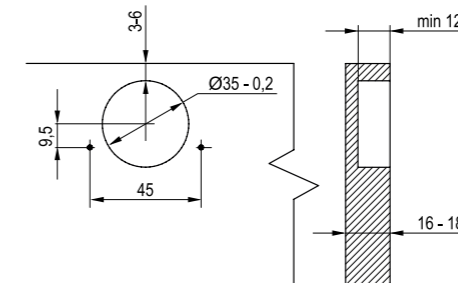
	Mounting Regulation		H	Number of screws per hinge	
	screw EURO 6,3 x 13	screw 3,5 x 16		screw EURO 6,3 x 13	screw 3,5 x 16
Inset 90°	index	index			
	TJ01.5809.01.064	-	2	2	-
	-	TJ01.9709.01.064	2	-	-

Cabinet Door Positioning



K=5	
H=0	D=4
H=2	D=2
H=4	D=0

Cup installation and hinge guide measurements



Regulation



-2 / +2 mm



-2 / +2 mm



-1 / +3 mm

Legend

D - Cabinet Door Positioning
K - Cup positioning
T - Thickness of the cabinet door
H - Height of the guide

COATING CODE: 064 NICKEL

Application



Characteristics



Packing



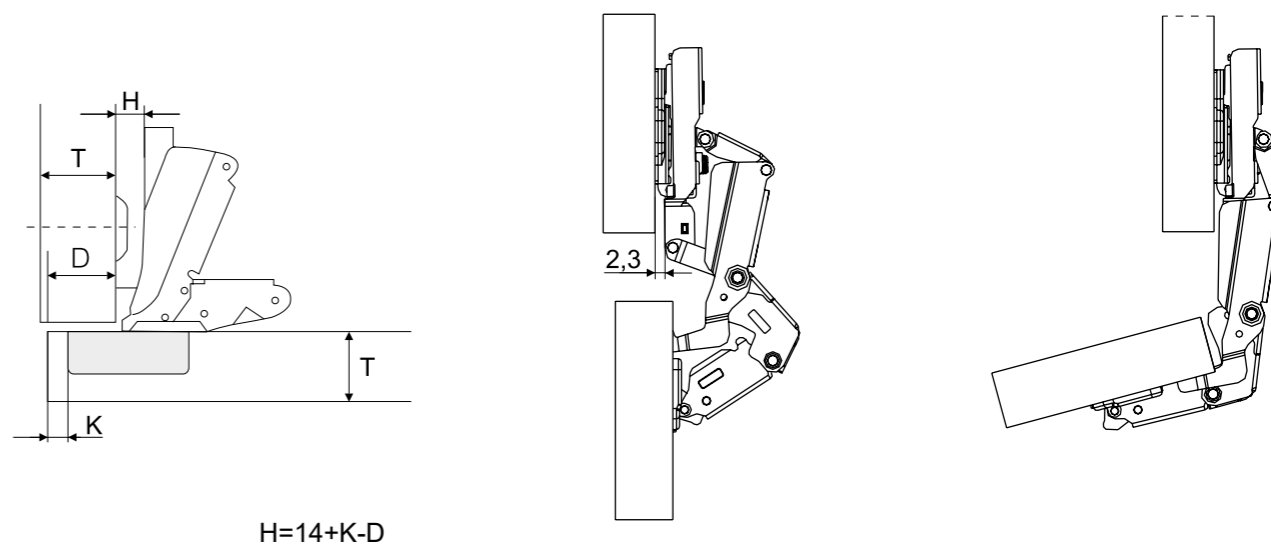
Additional information



Hinge components

	Mounting Regulation		H	Number of screws per hinge	
	screw EURO 6,3 x 13	screw 3,5 x 16		screw EURO 6,3 x 13	screw 3,5 x 16
Overlay 165°	index	index			
		TJ01.9711.01.064	2	-	-
	TJ01.5811.01.064		2	2	-

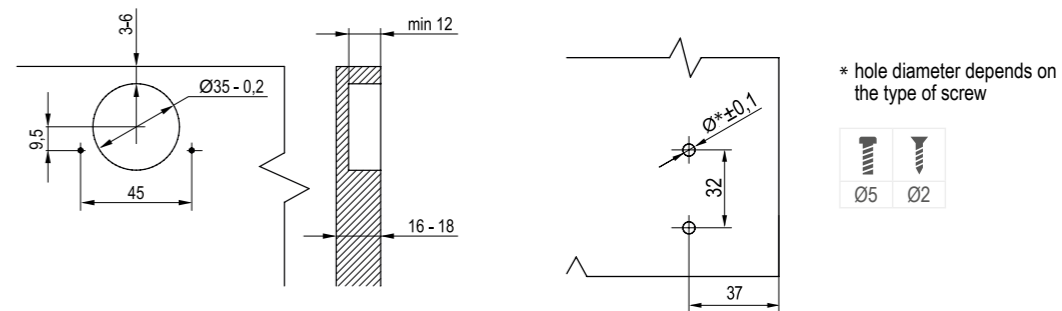
Cabinet Door Positioning



Use the formulas to determine the position of the cup (K) and the height of the guide (H)

$$H=14+K-D$$

Cup installation and hinge guide measurements



Regulation



-2 / +2 mm



-2 / +2 mm

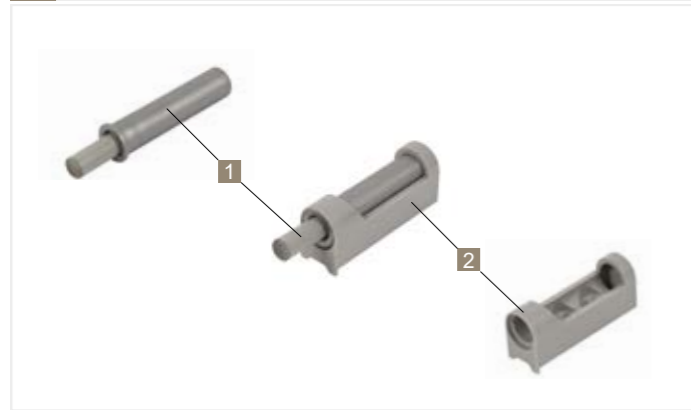


-1 / +3 mm

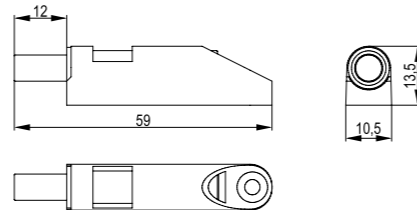
Legend

D - Cabinet Door Positioning
K - Cup positioning
T - Thickness of the cabinet door
H - Height of the guide

Damper AIRTIC PROFESSIONAL

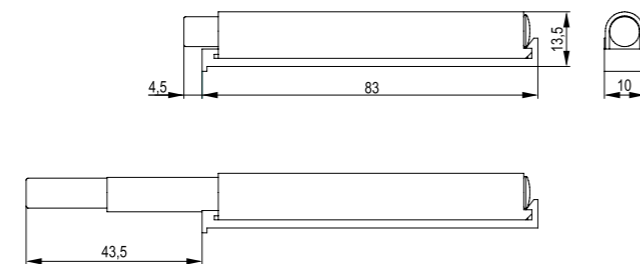


Dedicated to the Basic hinge range



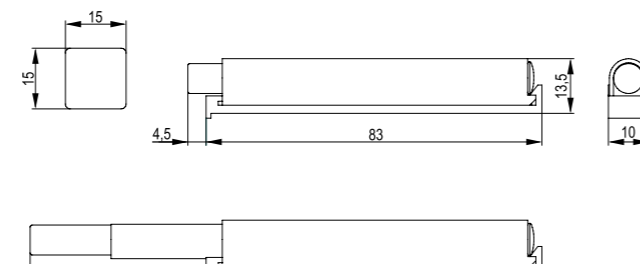
	index	index	colour
1	Damper	TJ03.1952.05	013, 063
2	Adapter for damper	TJ03.6553.05	013, 063

CLICK-ON with a straight plastic adapter and a silicone tip



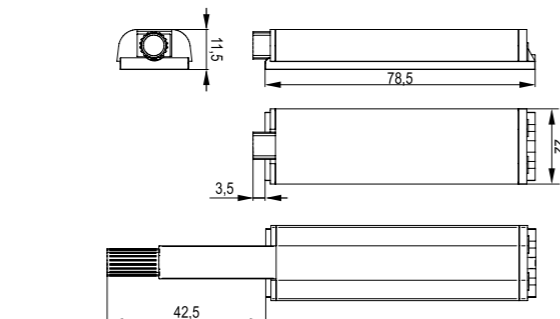
	index	colour
	TH02.9497.05	013, 049

CLICK-ON with a straight plastic adapter and a magnetic tip



	index	colour
	TH02.9496.05	013, 049

CLICK-ON with a metal adapter and long silicone tip

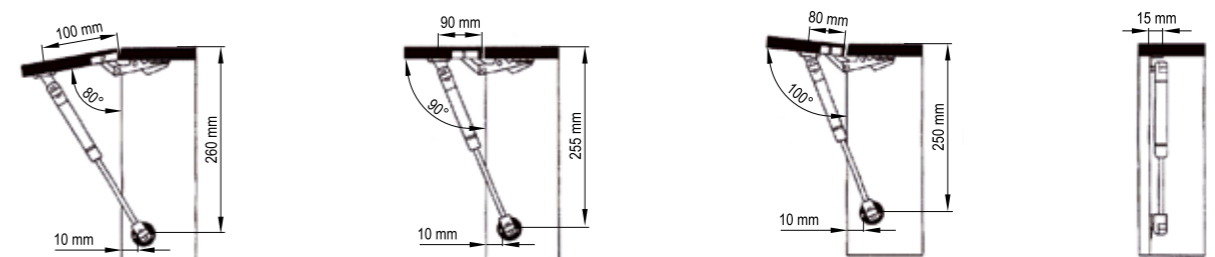


	index	colour
	TH02.9401.08	054



Flap lifts - general information

Flap fixings



Selection of lifts for cabinet front sizes

Front height H/W (mm)	Width of the cabinet door			
	do 450	460-600	600-900	900-1200
300	1 x 60N	1 x 80N	2 x 60N	2 x 80N
350	1 x 80N	2 x 50N	2 x 80N	2 x 100N
400	2 x 50N	2 x 60N	2 x 100N	2 x 120N
450	2 x 60N	2 x 80N	2 x 120N	-
500	2 x 80N	2 x 100N	-	-
550	2 x 80N	2 x 120N	-	-
600	2 x 100N	2 x 120N	-	-
650	2 x 120N	-	-	-

Flap lift EXALTO



- For narrow top-cabinets
- 6-stage power regulation
- simple assembly
- low opening resistance
- modern design
- flap and cabinet body fixings included
- combining with SOFT CLOSE hinges, ensures quiet and gentle closing

Recommended Hinges:
TJ01.7101.01.064 - EXPERT SOFT CLOSE full overlay hinge 110° crank 0 with mounting plate H=0
TJ01.7199.01.064 - EXPERT SOFT CLOSE full overlay hinge 110° crank 0 with mounting plate H=0 with excentric screw adjustment

type	index	colour
LF 500-1500	TJ09.0003.01	002
LF 800-1800	TJ09.0004.01	002

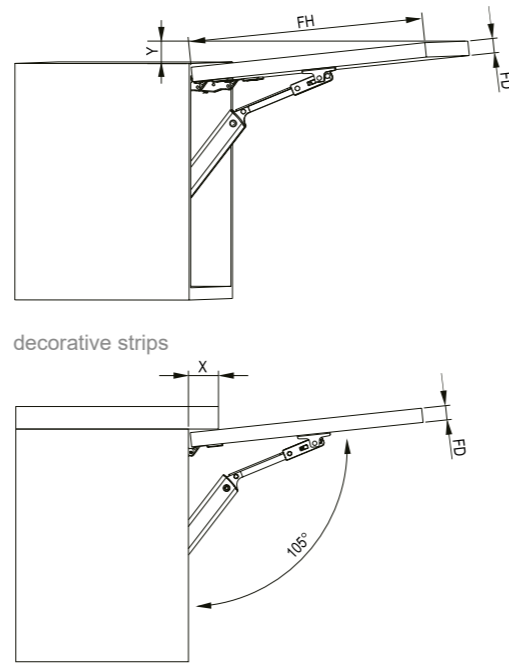
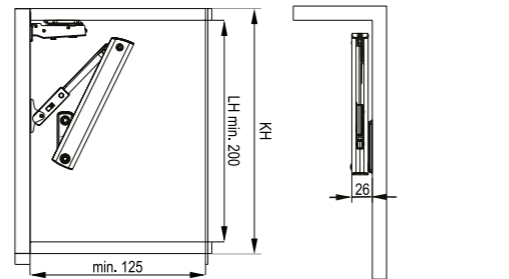
Calculation of the elevator power factor LF:

Corpus Height KH (mm) x weight of the cabinet front with double weight of the handle (kg).



When on the boundary of the weight restriction for a single lift we recommend a test assembly!

Space required



decorative strips

FD	16	19	22	24
X	45	34	23	15
Y	45	34	23	15

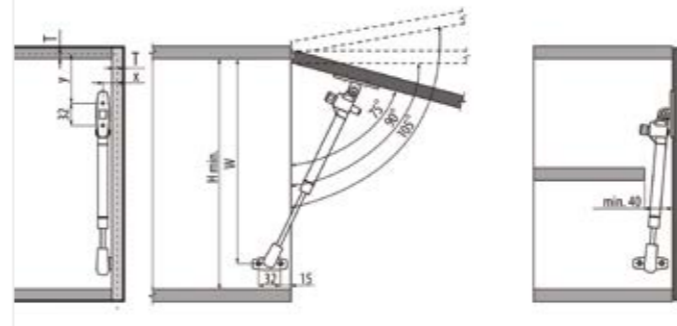
Cabinet dimensions:
LT - internal depth: min. 125 mm
KH - height: 240-600 mm

D - guide distance
K - hinge crank
B - cabinet ceiling thickness
LH - minimum internal height

Pneumatic gas stay lift with with shock damper



- fixing for wooden fronts
- gas lift for swing fronts
- cabinet door opening angle regulation 75°, 90° or 105°
- possible to precisely set the point of shock absorption



T - Cabinet door positioning
x = T + 13 mm
y = T + D

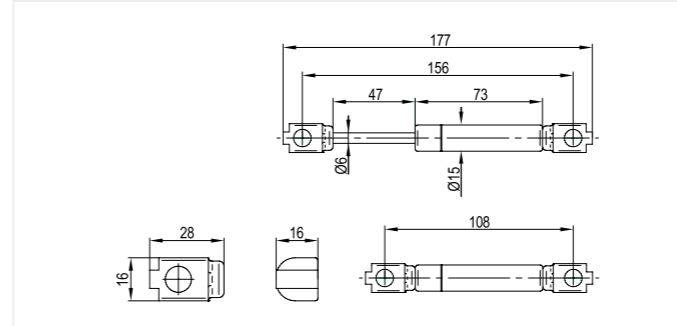
Door opening angle	W	D	H
75°	290	63	315
90°	270	51	300
105°	250	39	285

N force	index	colour
60	TJ03.9015.08	049
80	TJ03.9003.08	049
100	TJ03.9001.08	049

Pneumatic gas stay lift L=156



- fixing for wooden fronts
- fixing for aluminium fronts sold separately (p. 246)
- gas lift for swing fronts
- flat base for screw fixing - with pin
- for flap doors
- packed individually

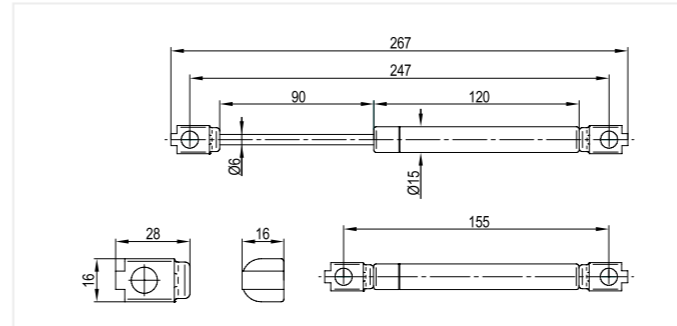


N force	index	colour
50	TJ03.0550.08	049
60	TJ03.0560.08	049
80	TJ03.0563.08	049

Pneumatic gas stay lift



- fixing for wooden fronts
- fixing for aluminium fronts sold separately (p. 246)
- gas lift for swing fronts
- flat base for screw fixing - with pin
- for flap doors
- packed individually

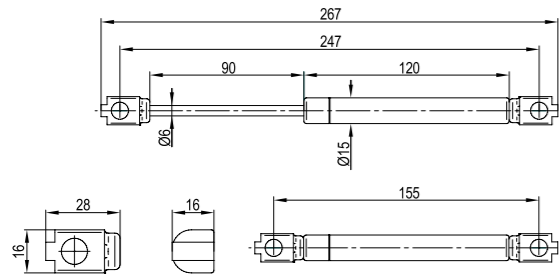


N force	index	colour
50	TJ03.0519.08	049
60	TJ03.0515.08	049
80	TJ03.0503.08	049
100	TJ03.0501.08	049
120	TJ03.0502.08	049

Pneumatic gas stay lift KONTRA



- fixing for wooden fronts
- fixing for aluminium fronts sold separately (p. 246)
- gas lift for drop down cabinet doors
- flat base for screw fixing - with pin
- for flap doors
- packed individually

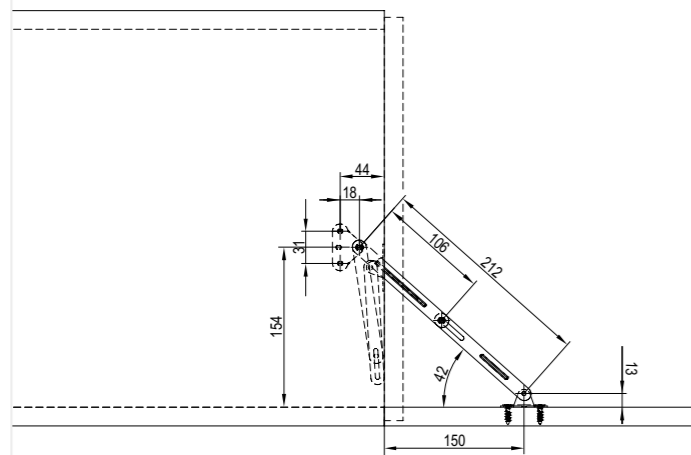


N force	index	colour
60	TJ03.0577.08	049
80	TJ03.0566.08	049

Vertical swing lift



- fixing for wooden fronts
- to the drop down cabinet fronts
- material - steel
- 1 item in a package



index	colour
TJ03.5514.01	062

Fixing for aluminium fronts



index	colour
TJ03.0596.01	064

COATING CODE: 049 SILVER 062 WHITE ZINC 064 NICKEL





HANDLES AND FURNITURE KNOBS

hooks | aluminium frames



Finishing touches at the highest level

Decorative elements make the interior more stylish. Beautiful handles emphasize the character of the furniture and add uniqueness to the furniture. REJS furniture handles collection is elegance, practicality, and high durability. The rich choice allows you to match the handle to any interior - minimalist, modern or traditional.

In REJS offer we have a choice of edge and recessed models, as well as railings, screwed and knobs. Most are offered in several sizes and different coverings. Different Their color palette is also diverse. REJS handles (depending on the model) are available fashionable matte black and lacquered white, but also, among others, in classic chrome, brushed nickel and satin nickel, copper, gold and platinum. All in order to be able to perfectly match the handle to the character of furniture.

The offer also includes impressive hooks - modern, classic and stylized, in several fashionable colours. In addition - aluminum profiles with different surface finish you can create a modern fronts suitable for modernist and loft interiors. As a filling of fronts made of aluminum profiles glass fillings, which also REJS offer are included. Their range consists of one-coloured, satin, three-dimensional and also printed panels with any graphics. The additional service of cutting formats for any purpose is also a great facilitation.

Screwed furniture handles

EASY p. 255



STILO p. 256



TYTANO p. 257



ASTER p. 258



MAGNA p. 259



LINEA p. 260



ARTESI p. 261



RELING p. 262



Furniture knobs

ARTESI p. 265



VITO p. 266

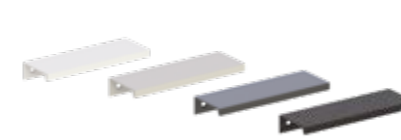


NIRO p. 267

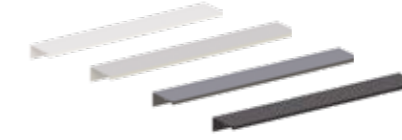


Adged furniture handles

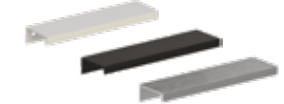
AL 9 p. 269



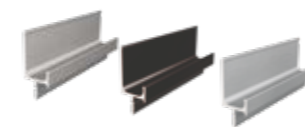
AL 13 p. 270



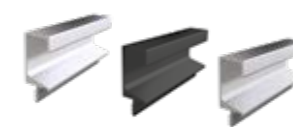
FE6 p. 271



FE2 p. 272



FE3 p. 273



Furniture Hooks

SINGO p. 277



ARGO p. 278



ORIS p. 279



SORIA L p. 280



SORIA M p. 281



SORIA S p. 282



WAL 01 p. 283



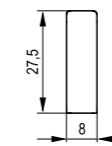
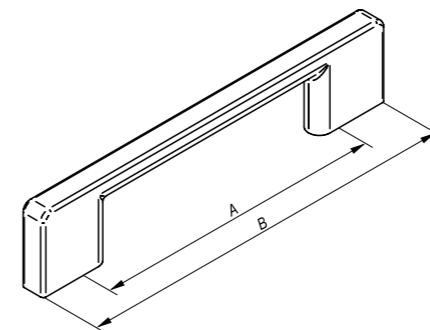


FURNITURE HANDLES

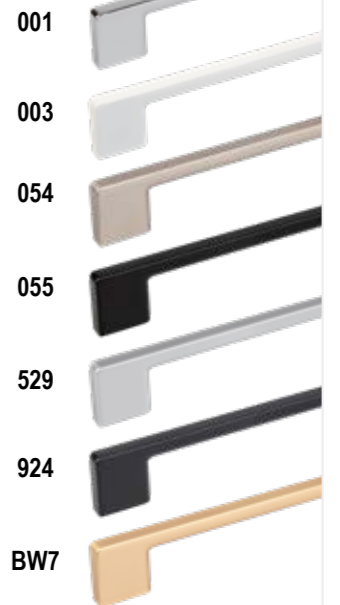


Furniture handles
Screwed

Furniture handle EASY



Available colours:



A x B	packaging (pcs.)	index (1pcs)	colour
96 x 130	25	TI22.0001.14	001, 003, 054, 055, 529, 924, BW7
128 x 161		TI22.0002.14	001, 003, 054, 055, 529, 924, BW7
160 x 192		TI22.0003.14	001, 003, 054, 055, 529, 924, BW7
192 x 225		TI22.0004.14	001, 003, 054, 055, 529, 924, BW7
256 x 290		TI22.0005.14	001, 003, 054, 055, 529, 924, BW7
320 x 354		TI22.0006.14	001, 003, 054, 055, 529, 924, BW7

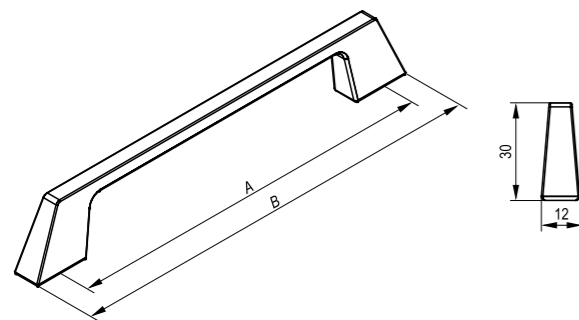


FINISHING CODES: 001 CHROME 003 WHITE 054 BRUSHED STEEL 055 BLACK 529 ALUMINIUM 924 GRAPHITE BW7 BRUSHED GOLD

Furniture handle STILO



Furniture handle TYTANO



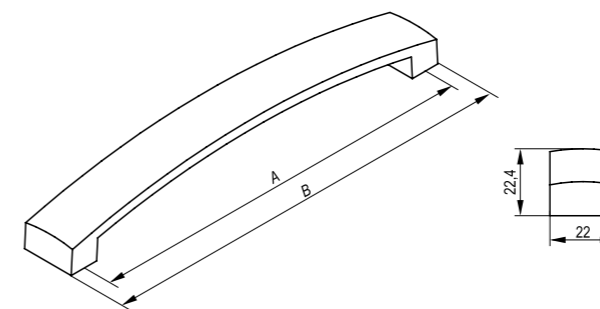
Available colours:



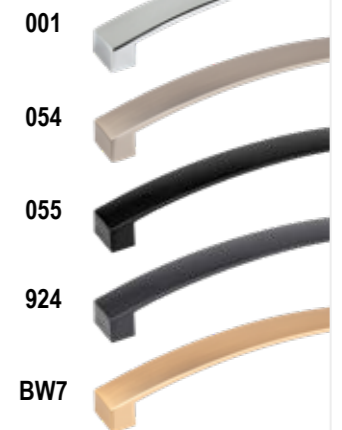
A x B	packaging (pcs.)	index (1pcs)	colour
160 x 185	25	TI22.0007.14	001, 003, 054, 055, 529, 892, BW7
256 x 281		TI22.0008.14	001, 003, 054, 055, 529, 892, BW7



FINISHING CODES: 001 CHROME 003 WHITE 054 BRUSHED STEEL 055 BLACK 529 ALUMINIUM 892 TITAN BW7 BRUSHED GOLD



Available colours:



A x B	packaging (pcs.)	index (1pcs)	colour
128 x 141	25	TI22.0012.14	001, 054, 055, 924, BW7
160 x 173		TI22.0013.14	001, 054, 055, 924, BW7
192 x 205		TI22.0014.14	001, 054, 055, 924, BW7
256 x 269		TI22.0015.14	001, 054, 055, 924, BW7
320 x 333		TI22.0016.14	001, 054, 055, 924, BW7



FINISHING CODES: 001 CHROME 054 BRUSHED STEEL 055 BLACK 924 GRAPHITE BW7 BRUSHED GOLD

Furniture handle ASTER

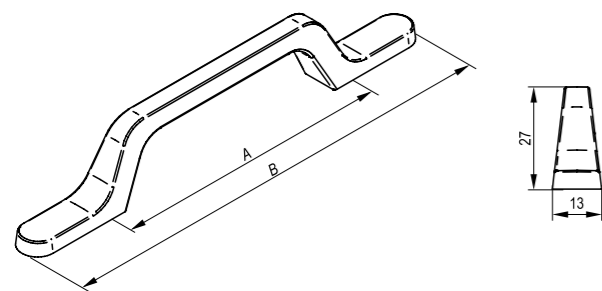


Furniture handle MAGNA



Available colours:

- 001
- 054
- 055
- 892
- 924
- BW7



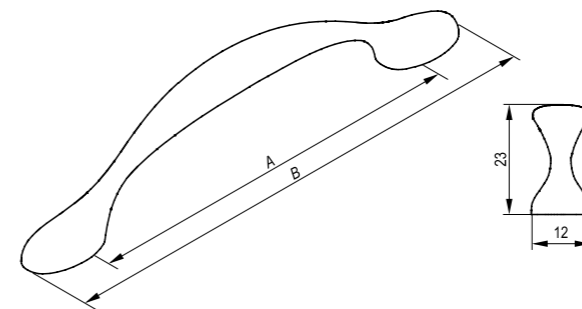
A x B	packaging (pcs.)	index (1pcs)	colour
96 x 162	25	TI22.0022.14	001, 054, 055, 892, 924, BW7
128 x 194		TI22.0023.14	001, 054, 055, 892, 924, BW7
160 x 226		TI22.0024.14	001, 054, 055, 892, 924, BW7
192 x 258		TI22.0025.14	001, 054, 055, 892, 924, BW7



FINISHING CODES: 001 CHROME 054 BRUSHED STEEL 055 BLACK 892 TITAN 924 GRAPHITE BW7 BRUSHED GOLD

Available colours:

- 001
- 006
- 008
- 054
- 331
- 529
- 715



A x B	packaging (pcs.)	index (1pcs)	colour
96 x 128	25	TI22.0034.14	001, 006, 008, 054, 331, 529, 715
128 x 157		TI22.0035.14	001, 006, 008, 054, 331, 529, 715



FINISHING CODES: 001 CHROME 006 BRASS 008 COPPER 054 BRUSHED STEEL 331 WHITE 529 ALUMINIUM 715 BLACK MATTE

Furniture handle LINEA



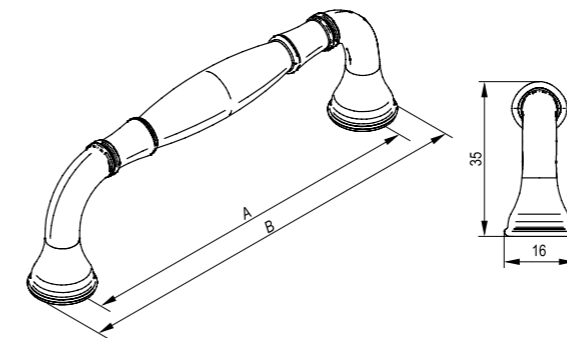
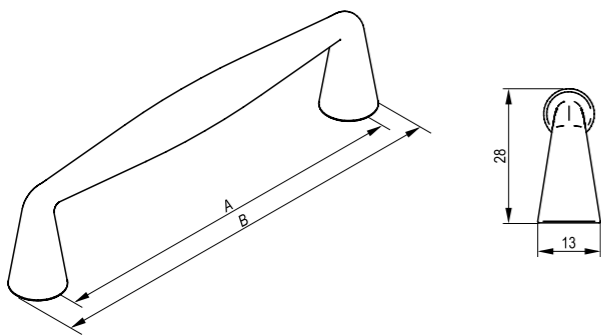
Furniture handles ARTESI



Available colours:



Available colours:



A x B	packaging (pcs.)	index (1pcs)	colour
96 x 109	25	T122.0009.14	001, 055, 253, 892
128 x 141		T122.0010.14	001, 055, 253, 892
160 x 205		T122.0011.14	001, 055, 253, 892

A x B	packaging (pcs.)	index (1pcs)	colour
96 x 112	25	T122.0017.14	055, BW7
128 x 144		T122.0018.14	055, BW7
galka		T122.0019.14	055, BW7

FINISHING CODES: 001 CHROME 055 BLACK 253 GOLD 892 TITAN

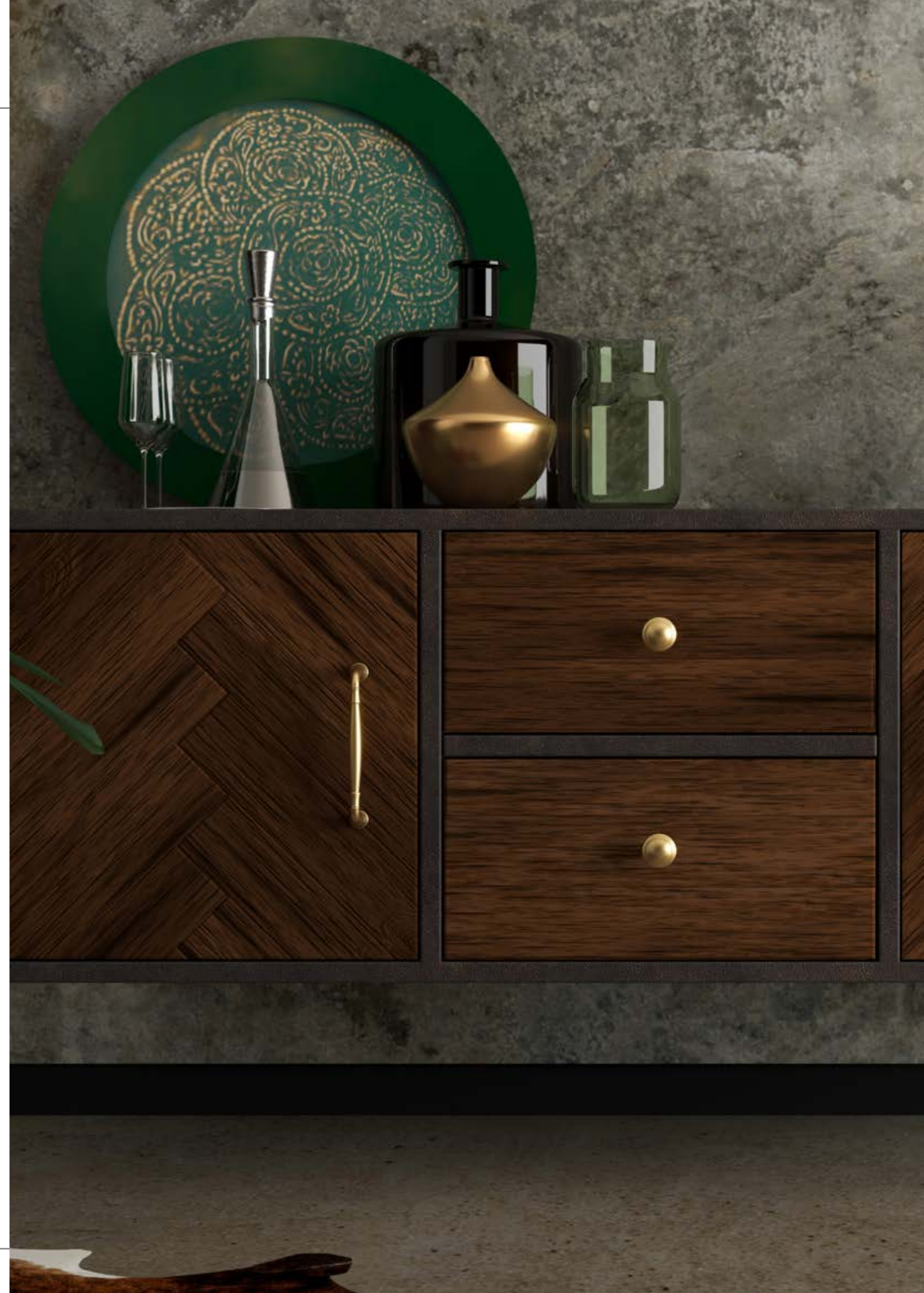
FINISHING CODES: 055 BLACK BW7 BRUSHED GOLD



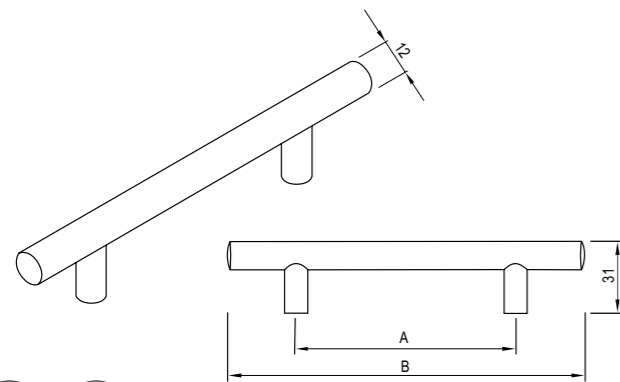
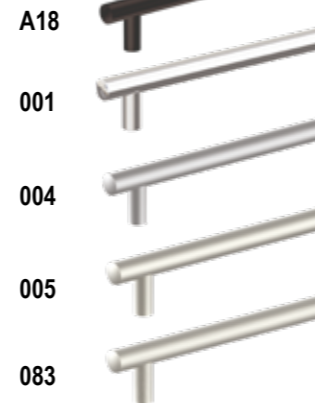
ATT: Knob for set on p. 265



Furniture handle RELING



Available colours:



A-length between holes for fixing the handle
B-width of handle

A x B	packaging (pcs.)	index (1 pcs)	colour
96 x 156	25	TI01.3605.01	A18, 001, 004, 005, 083
128 x 188		TI01.3606.01	A18, 001, 004, 005, 083
160 x 220		TI01.3607.01	A18, 001, 004, 005, 083
192 x 272		TI01.3608.01	A18, 001, 004, 005, 083
224 x 304		TI01.3615.01	A18, 001, 004, 005, 083
256 x 356		TI01.3609.01	A18, 001, 004, 005, 083
288 x 368		TI01.3612.01	A18, 001, 004, 005, 083
320 x 400		TI01.3616.01	A18, 001, 004, 005, 083



FINISHING CODES: A18 BLACK MATTE 001 CHROME 004 CHROME SATIN 005 NIKEL SATIN 083 BRUSHED NIKEL

Furniture knob ARTESI



Available colours:

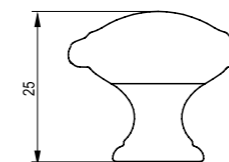
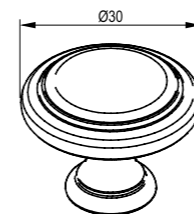
055



BW7



ATT: Handles for set on p.261



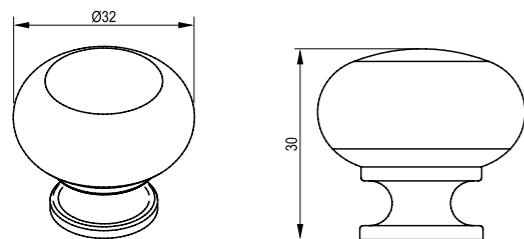
packaging (pcs.)	index (1pcs)	colour
25	T122.0019.14	055, BW7

FINISHING CODES: 055 BLACK BW7 BRUSHED GOLD

Furniture knob VITO



Furniture knob NIRO

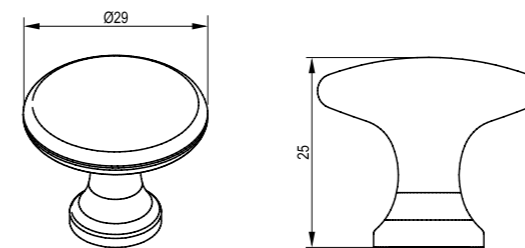


Available colours:

- 001
- 006
- 008
- 054
- 331
- 529
- 715

packaging (pcs.)	index (1pcs)	colour
25	T122.0029.51	001, 006, 008, 054, 331, 529, 715

FINISHING CODES: 001 CHROME 006 BRASS 008 COPPER 054 BRUSHED STEEL 331 WHITE MATTE 529 ALUMINIUM 715 BLACK MATTE



Available colours:

- 001
- 006
- 008
- 054
- 331
- 529
- 715

packaging (pcs.)	index (1pcs)	colour
25	T122.0030.14	001, 006, 008, 054, 331, 529, 715

FINISHING CODES: 001 CHROME 006 BRASS 008 COPPER 054 BRUSHED STEEL 331 WHITE 529 ALUMINIUM 715 BLACK



Furniture handle AL9



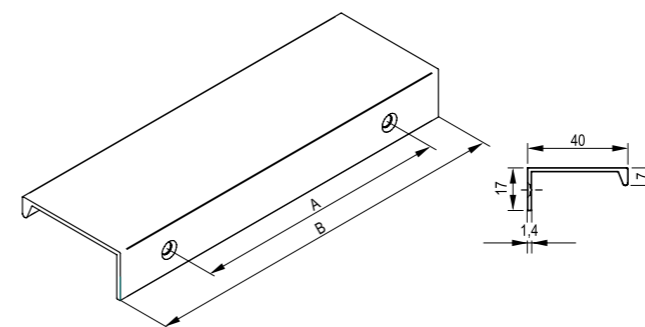
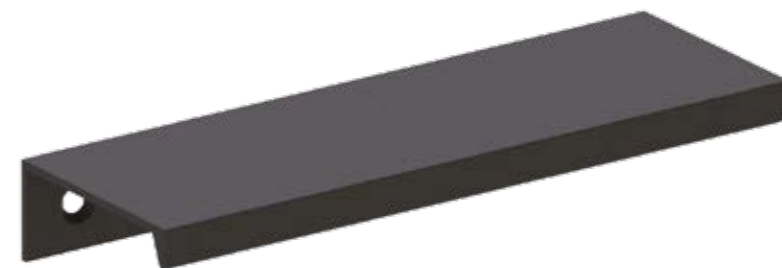
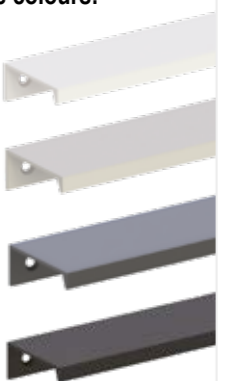
Available colours:

003

035

043

055



A x B	packaging (pcs.)	index (1pcs)	colour
32 x 52	20	TI21.1445.07	003, 035, 043, 055
96 x 116		TI21.1446.07	003, 035, 043, 055
128 x 148		TI21.1447.07	003, 035, 043, 055
192 x 212		TI21.1448.07	003, 035, 043, 055



FINISHING CODES: 003 LACQUER WHITE 035 NATURAL C-0 043 LACQUER GRAPHITE 055 LACQUER BLACK

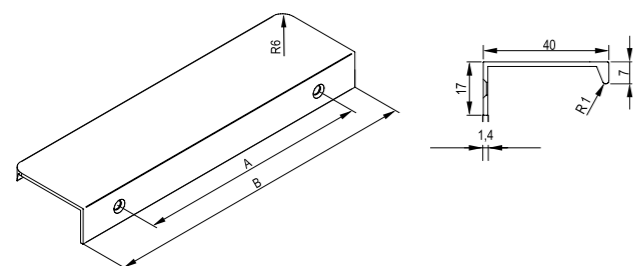
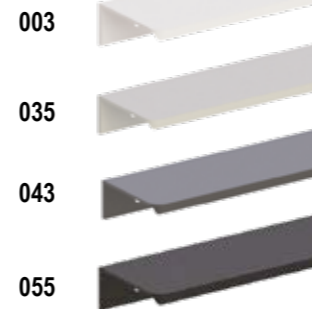
Furniture handle AL13



Furniture handle FE6

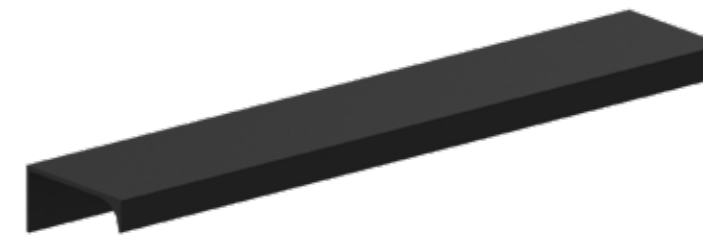


Available colours:

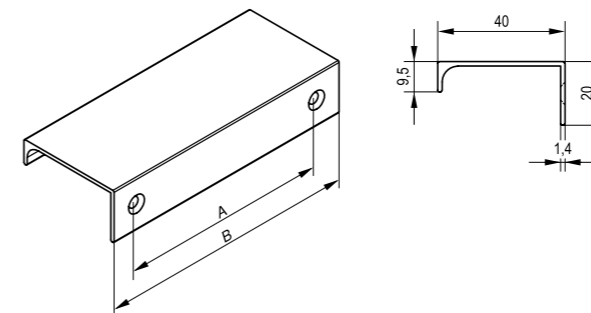
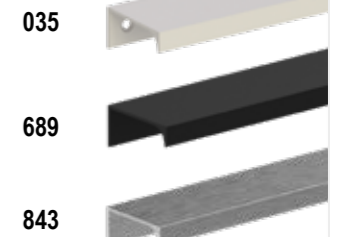


A x B	packaging (pcs.)	index (1pcs)	colour
32 x 52	20	TI21.1449.07	003, 035, 043, 055
96 x 116		TI21.1450.07	003, 035, 043, 055
128 x 148		TI21.1451.07	003, 035, 043, 055
192 x 212		TI21.1452.07	003, 035, 043, 055

FINISHING CODES: 003 LACQUER WHITE 035 NATURAL C-0 043 LACQUER GRAPHITE 055 LACQUER BLACK



Available colours:



L	packaging (pcs.)	index (1pcs)	colour
3010	16	TI10.1200.07	035, 689, 843

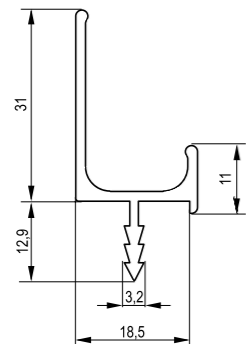
FINISHING CODES: 035 NATURAL C-0 689 BLACK MATTE 843 BRUSHED ALUMINIUM



Furniture handle profile FE2



Furniture handle profile FE3

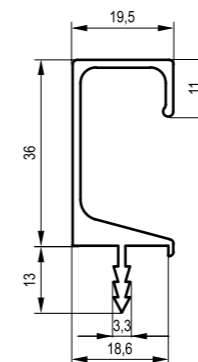
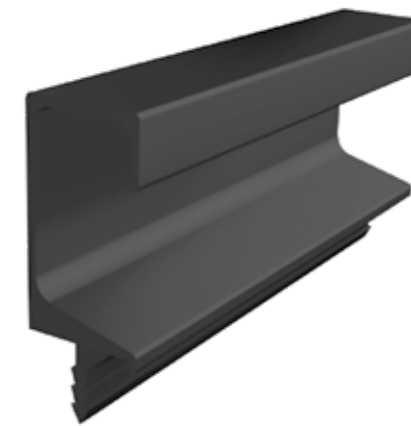


Available colours:

035

689

843



Available colours:

035

689

843

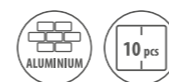


L	packaging (pcs.)	index (1pcs)	colour
3010	10	T110.1198.07	035, 689, 843

FINISHING CODES: 035 NATURAL C-0 689 BLACK MAT 843 BRUSHED ALUMINIUM

L	packaging (pcs.)	index (1pcs)	colour
3010	10	T110.1199.07	035, 689, 843

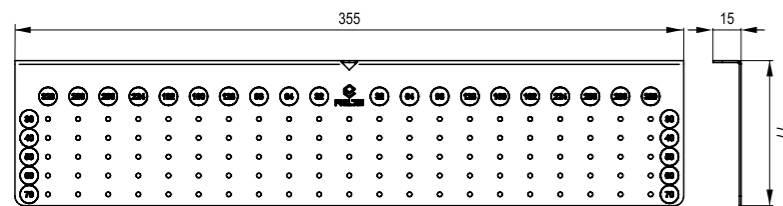
FINISHING CODES: 035 NATURAL C-0 689 BLACK MAT 843 BRUSHED ALUMINIUM



Assembly template for handles and furniture knobs



- Allows precise drilling of holes for handles and knobs on furniture fronts
- Adapted for spot-mounted handles and with hole spacing from 32 mm to 320 mm (pitch every 32 mm)
- Horizontal markers indicate hole pacing of the mounted handle
- vertical marks define the distance of the handle from the top edge of the front panel



index	colour
WH02.2704.01	062

FINISHING CODES: 062 ZINC







**FURNITURE HOOKS
 AND HANGERS**

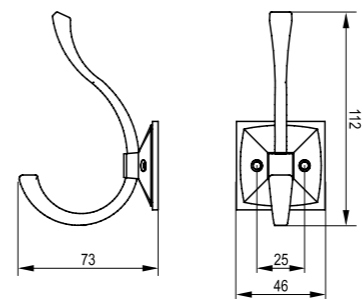


Hook SINGO



Available colours:

- 055 
- 188 
- 424 
- 956 



Screws in hangers colours in set.

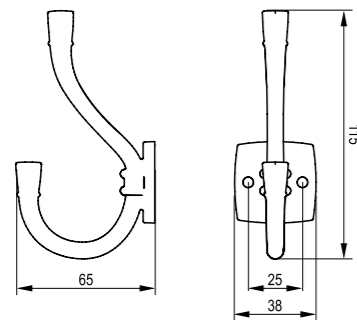
packaging (pcs.)	index (1pcs)	colour
20	T122.0028.14	055, 188, 424, 956

FINISHING CODES: 055 BLACK 188 COPPER 424 SILVER 956 BRASS

Hook ARGO



Hook ORIS



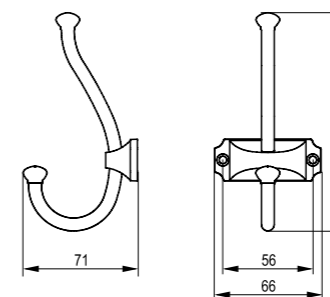
Available colours:



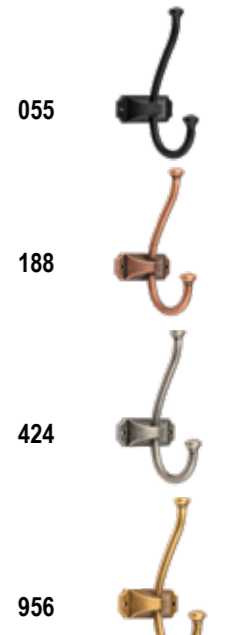
Screws in hooks colours in set.

packaging (pcs.)	index (1pcs)	colour
20	T122.0026.14	055, 424, 892, 956

FINISHING CODES: 055 BLACK 424 SILVER 892 TITAN 956 BRASS



Available colours:



Screws in hooks colours in set.

packaging (pcs.)	index (1pcs)	colour
20	T122.0027.14	055, 188, 424, 956

FINISHING CODES: 055 BLACK 188 COPPER 424 SILVER 956 BRASS



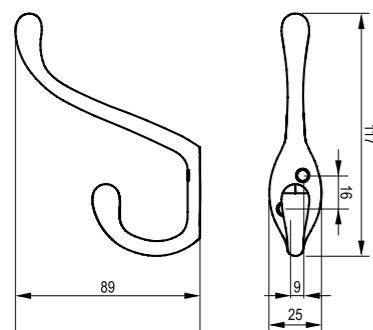
Hook SORIA L



Hook SORIA M



Available colours:



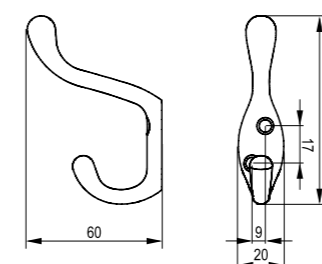
Screws in hooks colours in set.

packaging (pcs.)	index (1pcs)	colour
25	T122.0033.07	001, 035, 054, 331, 715

FINISHING CODES: 001 CHROME 035 NATURAL C-0 054 BRUSHED STEEL 331 WHITE 715 BLACK



Available colours:



Screws in hooks colours in set.

packaging (pcs.)	index (1pcs)	colour
25	T122.0032.07	001, 035, 331, 715

FINISHING CODES: 001 CHROME 035 NATURAL C-0 331 WHITE 715 BLACK



Hook SORIA S

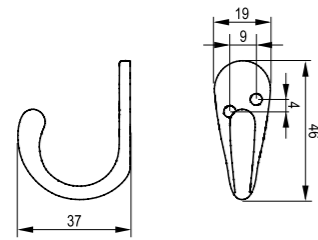


Hook WAL 01



Available colours:

- 001
- 331
- 529
- 715



Screws in hooks colours in set.

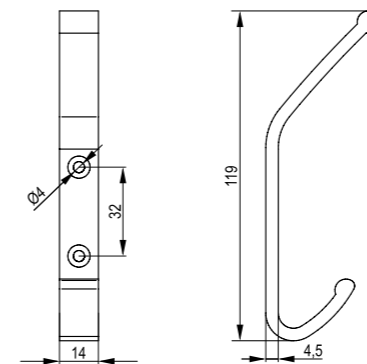
packaging (pcs.)	index (1pcs)	colour
25	T122.0031.14	001, 331, 529, 715

FINISHING CODES: 001 CHROME 331 WHITE 529 ALUMINIUM 715 BLACK



Available colours:

- 003
- 035
- 039



packaging (pcs.)	index (1pcs)	colour
10	T121.9000.07	003, 035, 039

FINISHING CODES: 003 LACQUER WHITE 035 NATURAL C-0 039 BLACK MATTE





ALUMINIUM PROFILES AND FRAMES

Profile to frame R1



index	colour
TG05.0101.07	003, 035, 039, 061, BH8

Profile to frame R4



index	colour
TG05.0128.07	035, 039

Connecting profile for frame R1



index	colour
TG05.0209.07	035, 039

Connecting profile for frame R4



index	colour
TG05.0205.07	035, 039

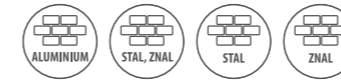
Profile to frame R11



index	colour
TG05.0136.07	003, 035, 039, 144

Icons indication

material



packaging



Profile to frame R12



index	colour
TG05.0159.07	035

FINISHING CODES: 003 WHITE 035 NATURAL C-0 039 BLACK MATTE 144 BLACK GLOSS



LED LIGHTING



New forms of lighting

Modern lighting systems are not only a functional solution. Led fittings, profiles and strips available today not only illuminate, but also to decorate furniture and interiors, highlight what is most beautiful. They are eye-catching and attention-grabbing by themselves.

LED strips could be installed in both wall and ceiling cladding, as well as in built-ins and free-standing furniture. They will be useful, for example, for illuminating the worktop in the kitchen - they are then mounted under the upper cabinets, or for subtle highlighting of pedestals and wreaths. Led strips look nice in open cabinets, bookcases, as well as in glass display cases. Every type of LED strip helps to expose glass or porcelain. Four types of LED strips available in REJS offer, depending on your needs, can emit very bright or moodily dim light of the color according to your choice: warm, neutral or cold.

The finishing element of any lighting system are switches. Those proposed by REJS allow not only to turn the light on or off, but also to regulate its intensity. They can be installed in different parts of the flat building area, and selected models also could be hidden under the countertop, behind the fronts or under the stone countertops, and even inside the profiles. You can choose the models operated by remote control, touch and wireless, responding to the approach of, for example, the hand. All REJS switches are kept in a modern, very discreet design and universal colors (black, white and silver).

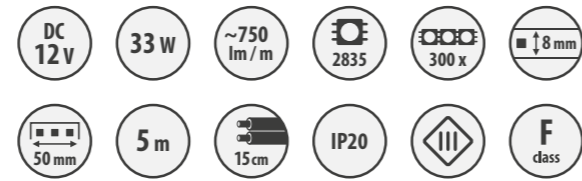
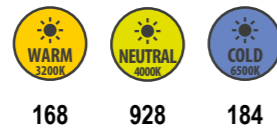
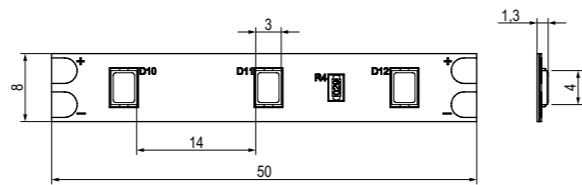
The REJS offer also includes a wide range of everyday invisible, but indispensable accessories: power supplies of 7, 12, 16, 24, 33, 54, 65, 80 W, connectors for LED strips, allowing them to be connected into long light chains, profiles and fittings in different color temperatures, distributors, wires and extensions. It is also worth noting the metal clips for glass shelves. Possibility to clip them to the side edge of the sheet, they emit light that seems to spill into the glass, giving a beautiful decorative effect.





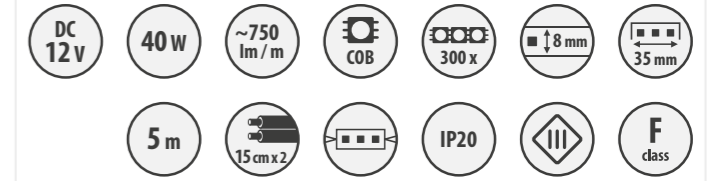
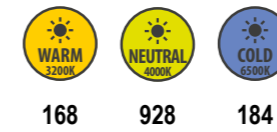
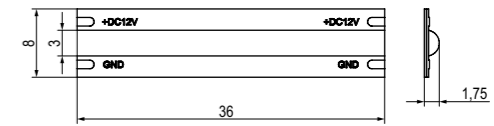
LED STRIPS

SHINE LED STRIP 2835, 300 led, 8 mm



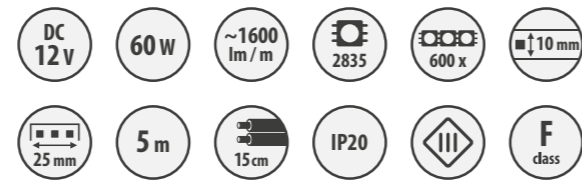
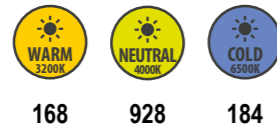
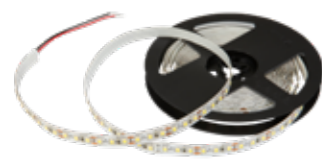
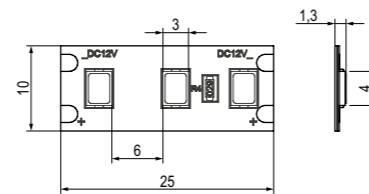
index	colour
TR20.0001.00	168, 184, 928

SHINE LED STRIP COB



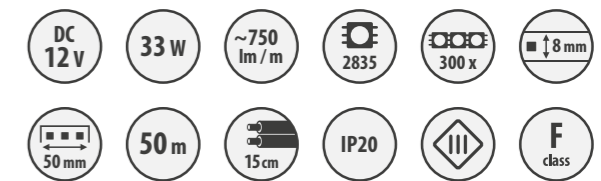
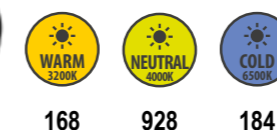
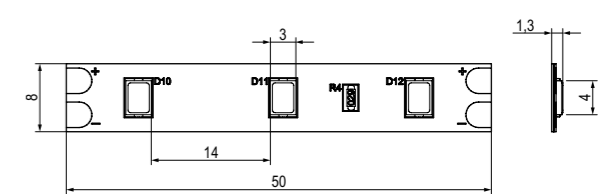
index	colour
TR20.0004.00	168, 184, 928

SHINE LED STRIP 2835, 600 led, 10 mm



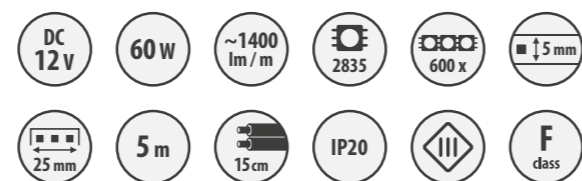
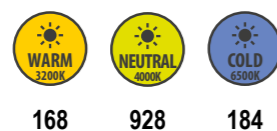
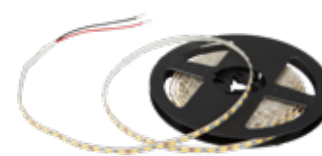
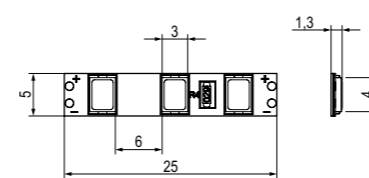
index	colour
TR20.0002.00	168, 184, 928

SHINE LED STRIP 2835, 300 led, 8 mm, 50 m

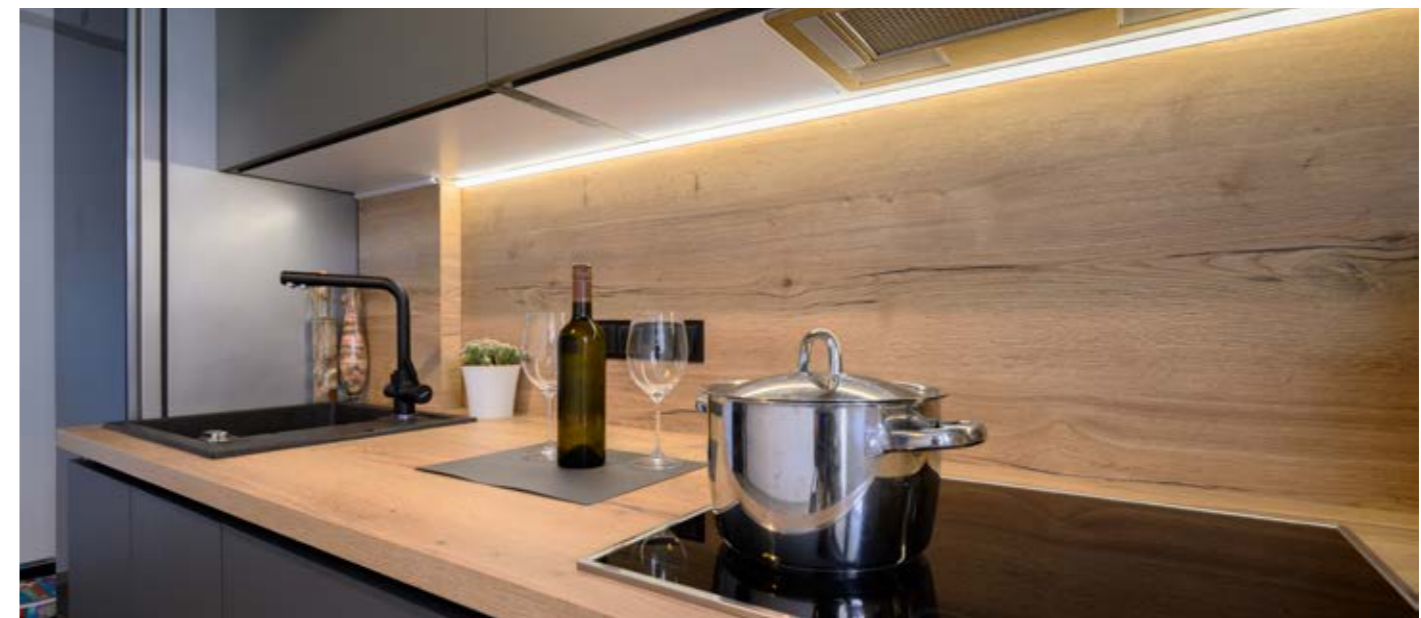


index	colour
TR20.0014.00	168, 184, 928

SHINE LED STRIP 2835, 600 led, 5 mm



index	colour
TR20.0003.00	168, 184, 928



Led lighting

Led lighting

Connector for led strips 8 mm without wire



index
TR20.0034.05.013

Connector for led strips 8 mm with wire 2 meters



index
TR20.0035.05.013

Connector for led strips 10 mm without wire



index
TR20.0036.05.013

Connector for led strips 10 mm with wire 2 meters



index
TR20.0037.05.013

Connector mini for led strips 8 mm without wire



(i) possibility to use MINI connectors inside recessed and corner profiles

index
TR20.0038.05.013

Connector mini for led strips 8 mm with wire 2 meters



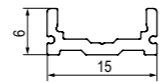
index
TR20.0039.05.013



LED PROFILES

LUMI topical led profile

LUMI

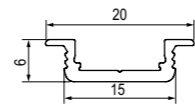


ATT: End cups and shade are sold separate.

colour		profile index	Index of end cup
●	2 m	TG05.0805.07.035	TR19.0005.05.049 (1 set=100 pcs)
●	3 m	TG05.0806.07.035	
○	2 m	TG05.0805.07.855	TR19.0008.05.013 (1 set=10 pcs)
○	3 m	TG05.0806.07.855	
●	2 m	TG05.0805.07.689	TR19.0008.05.061 (1 set=10 pcs)
●	3 m	TG05.0806.07.689	

LUMI recessed led profile

LUMI

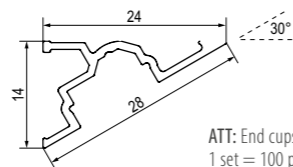
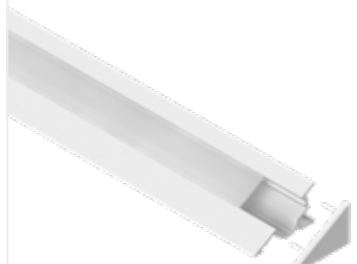


ATT: End cups and shade are sold separate.

colour		profile index	Index of end cup
●	2 m	TG05.0807.07.035	TR19.0006.05.049 (1 set=100 pcs)
●	3 m	TG05.0808.07.035	
○	2 m	TG05.0807.07.855	TR19.0009.05.013 (1 set=10 pcs)
○	3 m	TG05.0808.07.855	
●	2 m	TG05.0807.07.689	TR19.0009.05.061 (1 set=10 pcs)
●	3 m	TG05.0808.07.689	

LUMI corner led profile

LUMI

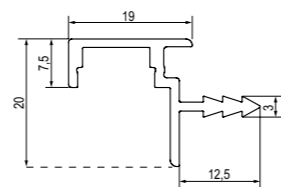


ATT: End cups and shade are sold separate.
1 set = 100 pcs (50 right and 50 left) 1 set = 10 pcs (5 right, 5 left)

colour		profile index	Index of end cup
●	2 m	TG05.0809.07.035	TR19.0007.05.049 (1 set=100 pcs)
●	3 m	TG05.0810.07.035	
○	2 m	TG05.0809.07.855	TR19.0010.05.013 (1 set=10 pcs)
○	3 m	TG05.0810.07.855	
●	2 m	TG05.0809.07.689	TR19.0010.05.061 (1 set=10 pcs)
●	3 m	TG05.0810.07.689	

LUMI rim led profile

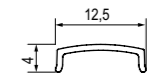
LUMI



colour		index
●	2 m	TG05.0811.07.035
●	3 m	TG05.0812.07.035
○	3 m	TG05.0812.07.855
●	3 m	TG05.0812.07.689

LUMI led profile shade

LUMI



colour		index
frosted	2 m	TR19.0011.05.423
	3 m	TR19.0012.05.423

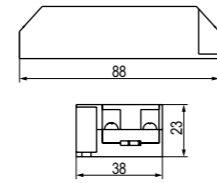




POWER SUPPLIES

LED power supply 7 W

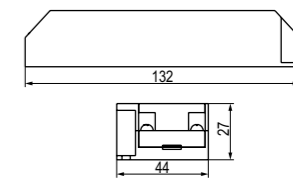
MASTER



index
TR20.0005.05.000

LED power supply 33 W

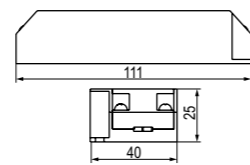
MASTER



index
TR20.0009.05.000

LED power supply 12 W

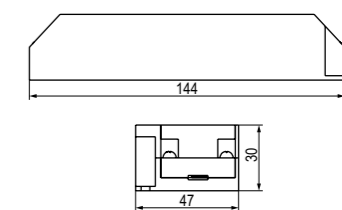
MASTER



index
TR20.0006.05.000

LED power supply 54 W

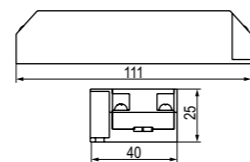
MASTER



index
TR20.0010.05.000

LED power supply 16 W

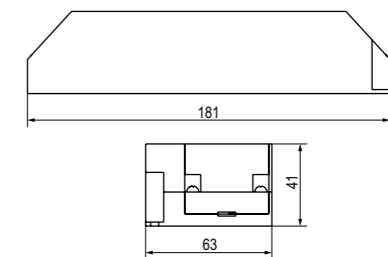
MASTER



index
TR20.0007.05.000

LED power supply 65 W

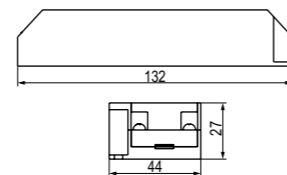
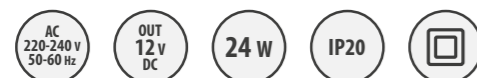
MASTER



index
TR20.0011.05.000

LED power supply 24 W

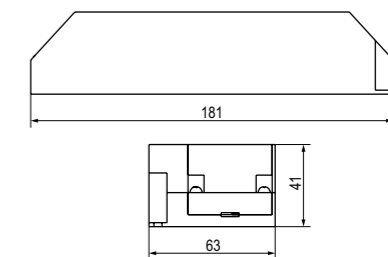
MASTER



index
TR20.0008.05.000

LED power supply 80 W

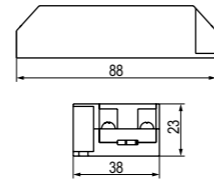
MASTER



index
TR20.0012.05.000

Power supply set Master 7W + 2m wire with plug EU/UK 2x0,75mm + wire 2 meter with female connector mini AMP

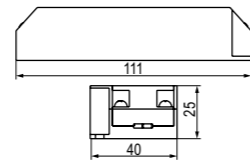
MASTER



plug type	index
EU	WR20.0042.00.000
UK	WR20.0001.00.000

Power supply set Master 12W + 2m wire with plug EU/UK 2x0,75mm + wire 2 meter with female connector mini AMP

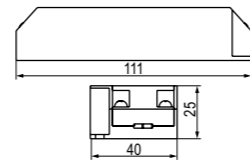
MASTER



plug type	index
EU	WR20.0041.00.000
UK	WR20.0002.00.000

Power supply set Master 16W + 2m wire with plug EU/UK 2x0,75mm + wire 2 meter with female connector mini AMP

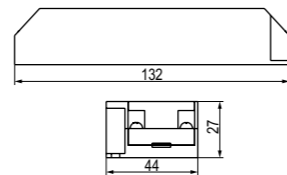
MASTER



plug type	index
EU	WR20.0040.00.000
UK	WR20.0003.00.000

Power supply set Master 24W + 2m wire with plug EU/UK 2x0,75mm + wire 2 meter with female connector mini AMP

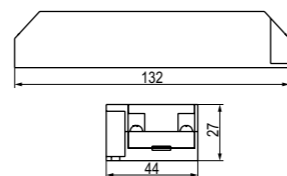
MASTER



plug type	index
EU	WR20.0043.00.000
UK	WR20.0004.00.000

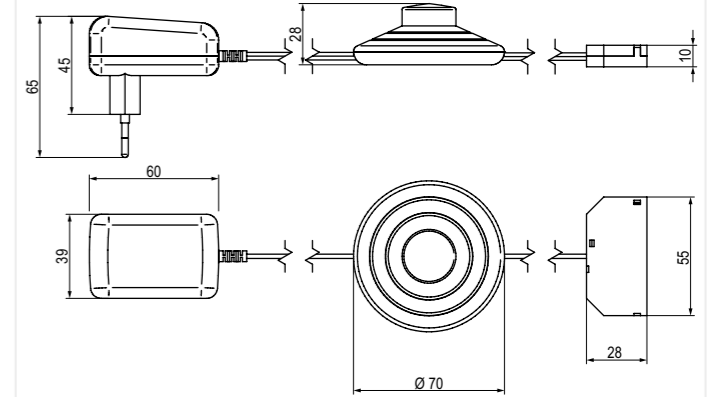
Power supply set Master 33W + 2m wire with plug EU/UK 2x0,75mm + wire 2 meter with female connector mini AMP

MASTER



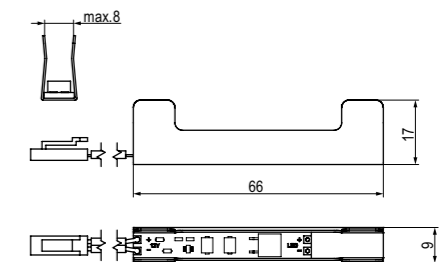
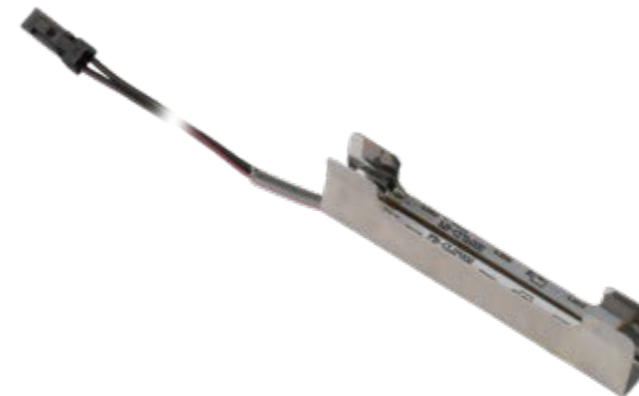
plug type	index
EU	WR20.0044.00.000
UK	WR20.0005.00.000

LED power supply



index
TR20.0013.05.000

Metal clip for glass shelf, cold white 8 mm



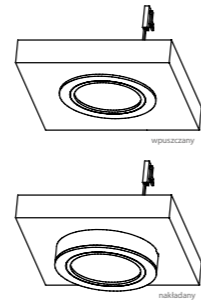
index
TR20.0029.66.000

light colour
COLD 6500K

Universal LED fitting



Recessed or overlapped

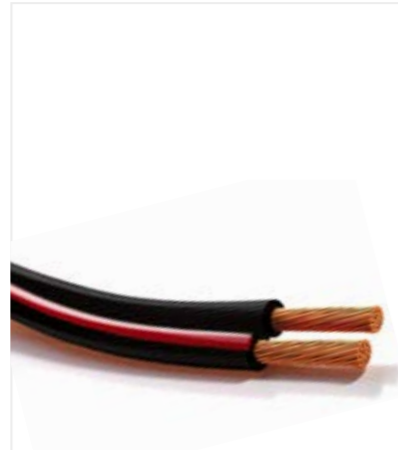


index	color lighting
TR20.0026.05.529	WARM 3000K
TR20.0027.05.529	NEUTRAL 4000K
TR20.0028.05.529	COLD 6500K



ELECTRICAL WIRES

Two cores cable 0,35 mm² TLYp



- Polyvinyl chloride insulation of wire makes the cable flexible and allow to lay it easy, while maintaining all the parameters of the safety parameters.
- Conductors made of high-quality copper wires.
- Red strip on the insulation is indicated of wires polarization.
- Dedicated to voltages not exceeding 12 - 24V.
- Copper wire class 5.
- Standards ZN-7/SIM/19
- Certificates CE, RoHS, REACH
- roll 100 m

index	cross-section	insulation thickness	dimension	weight, length
TR20.0048.05.061	2 x 0,35 mm ²	0,4 mm	1,6 x 3,4 mm	11 kg/km

Two cores cable 2 x 0,75 mm² H03VVH2-F 100mb in double insulation



- Polyvinyl chloride insulation of wire makes the cable flexible and allow to lay it easy, while maintaining all the parameters of the safety parameters.
- Conductors made of high-quality copper wires.
- External insulation is in black.
- Insulation colors (blue, brown) are indicated the polarity of wires.
- Dedicated to voltages not exceeding 12-230V.
- Copper wire class 5
- Standard: EN 50525-2-11 / PVC insulated T12/PVC tire TM2
- Certificates CE, RoHS, REACH, VDE
- roll 100 m

index	cross-section	insulation thickness		dimension	weight, length
		1	2		
TR20.0049.05.061	2 x 0,75mm ²	0,5 mm	0,6 mm	3,3 x 5,3 mm	31 kg/km

Cables 2 x 0.75mm² 2m with EU/UK plug*



- Polyvinyl chloride insulation of wire makes the cable flexible and allow to lay it easy, while maintaining all the parameters of the safety parameters.
- Conductors made of high-quality copper wires.
- The colors are indicated of wires polarization.
- Cable is ready for installation, tire and insulation are removed, terminals are covered with tin.
- Copper wire class 5
- working voltage: 300V
- certifications CE, RoHS, REACH

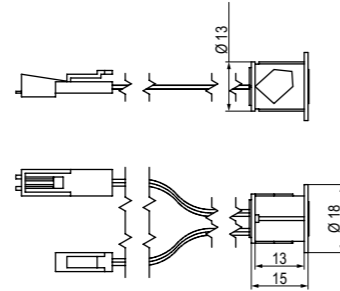
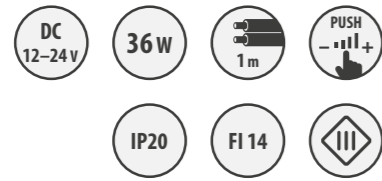
index	plug type	cross-section	insulation thickness		dimension	weight
			1	2		
TR20.0041.05.013	EU	2 x 0,75 mm ²	0,5 mm	0,6 mm	3,3 x 5,3 mm	31 kg/km
TR20.0041.05.061						
TR20.0047.05.061*						

* products available on order only
COATING CODE: 013 WHITE 061 BLACK



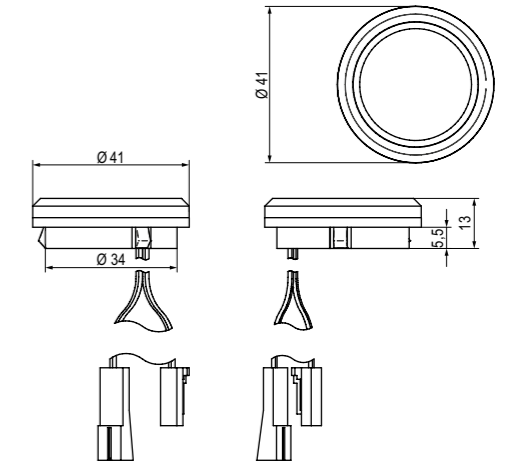
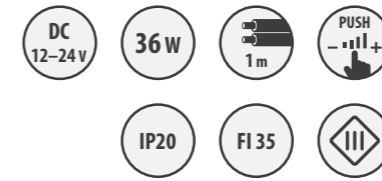
SWITCHES

Dimmable switch W01



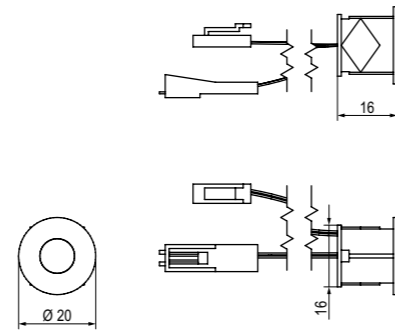
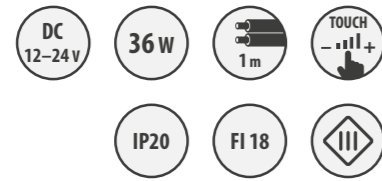
colour	index
○	TR20.0015.05.013
●	TR20.0015.05.061

Dimmable switch W04



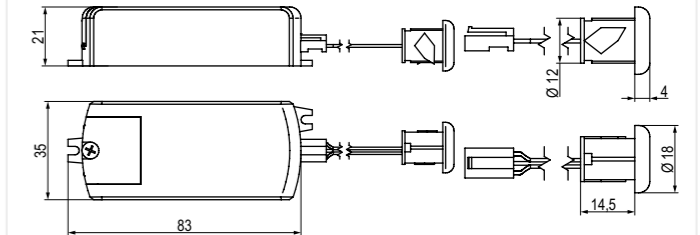
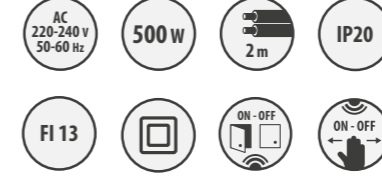
colour	index
○	TR20.0018.05.001

Dimmable switch W02



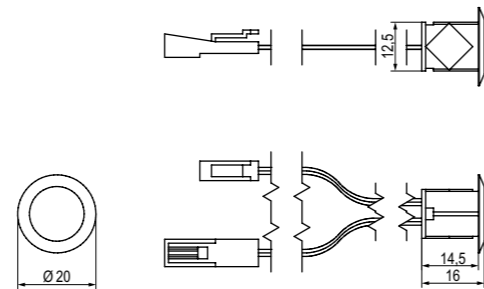
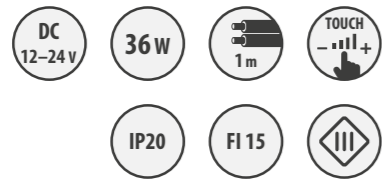
colour	index
○	TR20.0016.05.013
●	TR20.0016.05.061

Dimmable switch W05



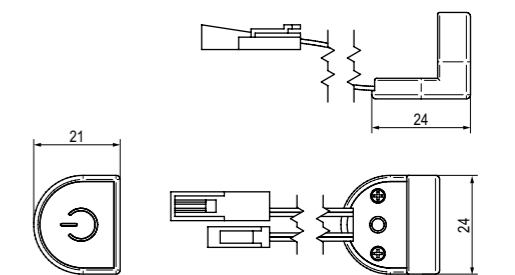
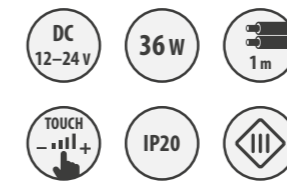
colour	index	characteristic
●	TR20.0019.05.000	double pole (for lighting)
●	TR20.0020.05.000	single pole (for sliding door)

Dimmable switch W03



colour	index
○	TR20.0017.05.001

Dimmable corner switch W06

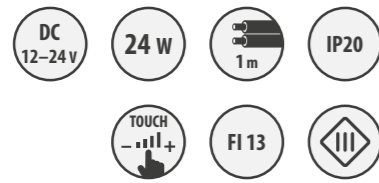


colour	index
○	TR20.0021.05.529

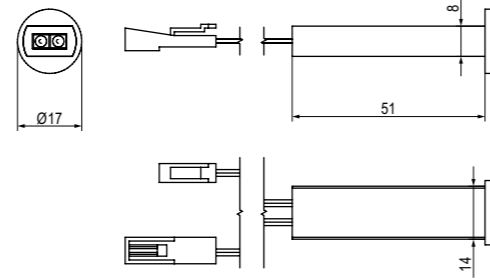
Led lighting

Led lighting

Dimmable universal touch switch W07



Double or single pole

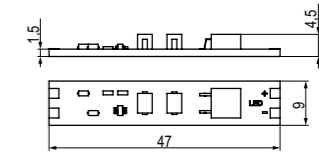


colour	index
○	TR20.0022.05.013
●	TR20.0022.05.061

Dimmable touch switch for led profile W09

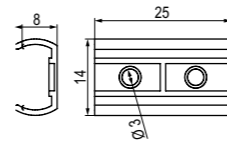


With sticky tape



index
TR20.0032.05.000

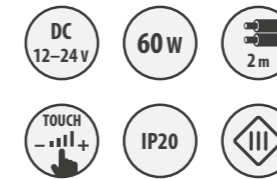
Adapter for universal switch W07



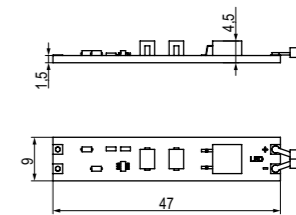
colour	index
○	TR20.0023.05.013
●	TR20.0023.05.061

2 pcs. of screws in set

Dimmable touch switch for led profile W09

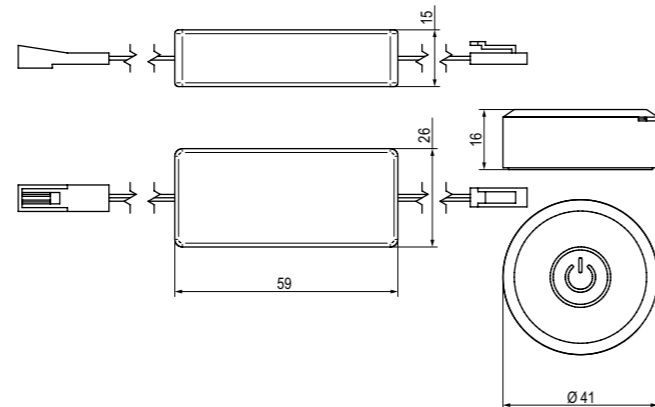
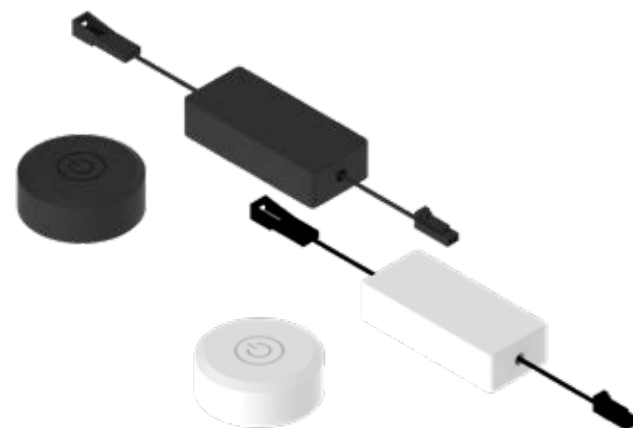


With sticky tape; wiring 2 m



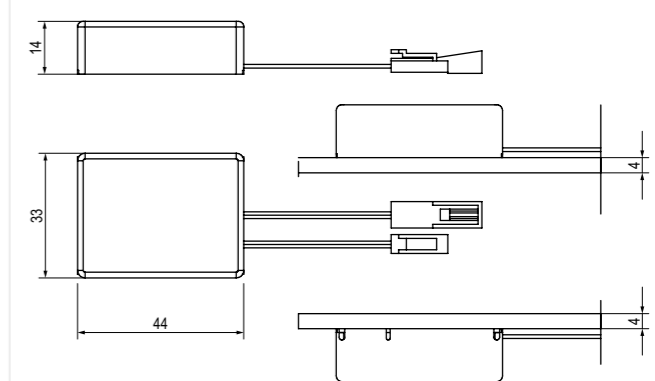
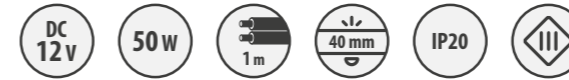
index
TR20.0033.05.000

Dimmable wireless switch W08



colour	index
○	TR20.0024.05.013
●	TR20.0024.05.061

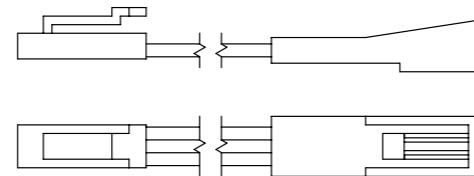
Undertable switch W10



index
TR20.0025.05.000

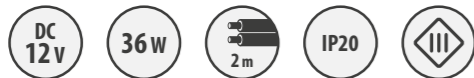
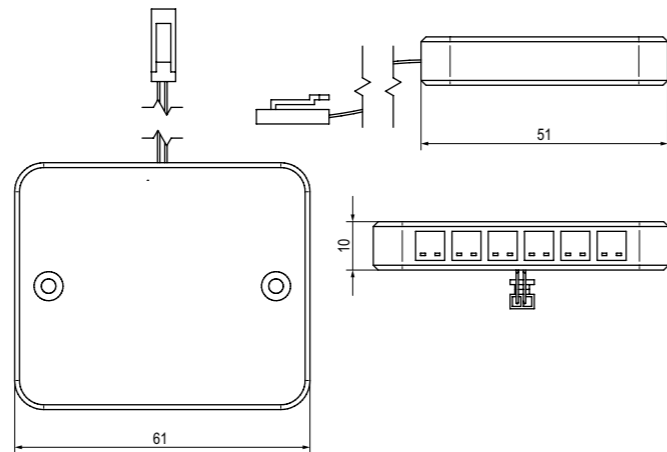


Wire 2 meters with connectors mini amp

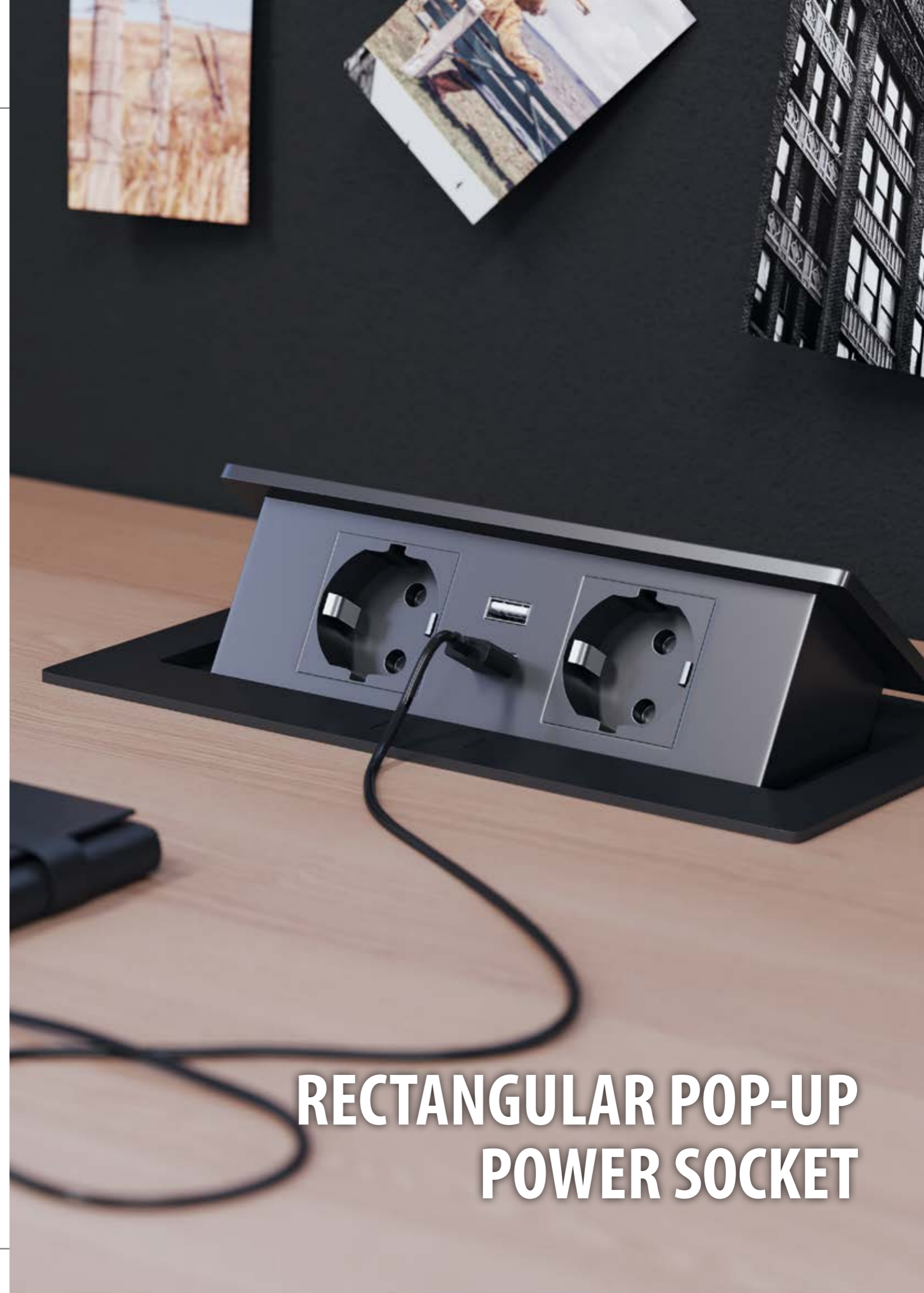


colour	index
●	TR20.0030.05.000

Distributor 6 sockets mini amp



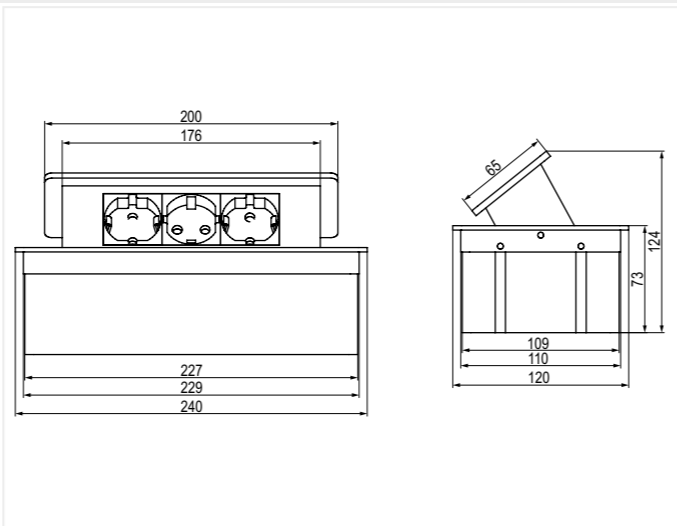
colour	index
●	TR20.0031.05.000



RECTANGULAR POP-UP
POWER SOCKET

ELEKTRIMA Kwadro rectangular recessed desk power

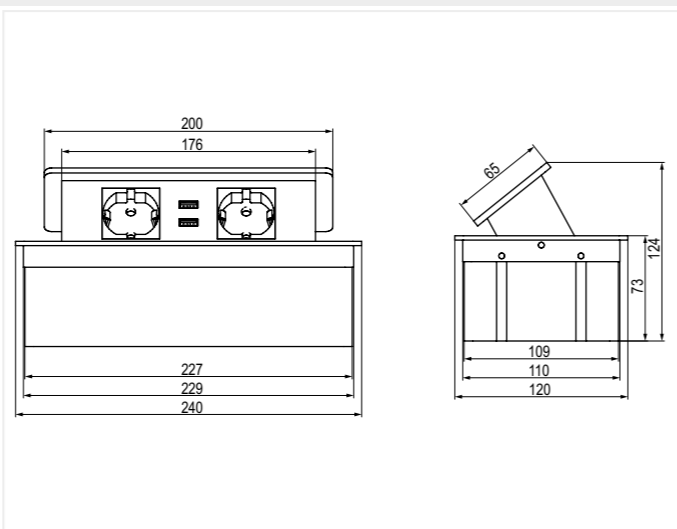
ELEKTRIMA



colour	index	socket type	material
●	TR19.0003.08.049	3 x schuko	metal/plastic
●	TR19.0003.08.061		
○	TR19.0003.08.013		
○	TR19.0013.08.049	3 x french	
●	TR19.0013.08.061		
○	TR19.0013.08.013		

ELEKTRIMA Kwadro rectangular recessed desk power

ELEKTRIMA

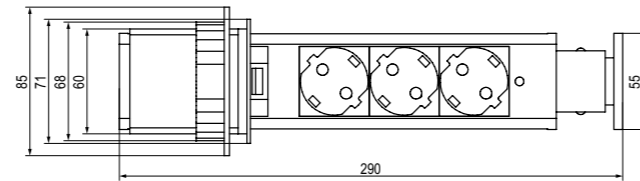


colour	index	socket type	material
○	TR19.0004.08.049	2 x schuko, 2 x USB 2,1 A 5 V	metal/plastic
●	TR19.0004.08.061		
○	TR19.0004.08.013		
○	TR19.0014.08.049	2 x french, 2 x USB 2,1 A 5 V	
●	TR19.0014.08.061		
○	TR19.0014.08.013		



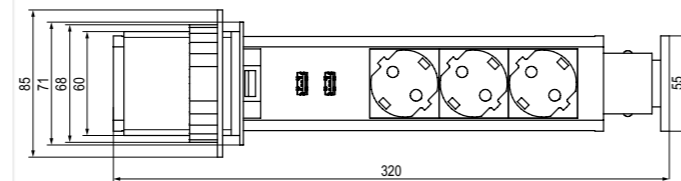
**PULL-OUT ROUND
POWER SOCKET**

ELEKTRIMA Tubus retractable pull-out round power



colour	index	socket type	material
○	TR19.0001.08.049	3 x schuko	aluminium/plastic
●	TR19.0001.08.061	3 x schuko	
○	TR19.0015.08.049	3 x french	
●	TR19.0015.08.061	3 x french	

ELEKTRIMA Tubus retractable pull-out round power



colour	index	socket type	material
○	TR19.0002.08.049	3 x schuko, 2 x USB 2,4 A 5 V	aluminium/plastic
●	TR19.0002.08.061	3 x schuko, 2 x USB 2,4 A 5 V	
○	TR19.0016.08.049	3 x french, 2 x USB 2,4 A 5 V	
●	TR19.0016.08.061	3 x french, 2 x USB 2,4 A 5 V	

- warm color
- neutral color
- cold color
- type of diode
- luminous flux per meter
- diode quantities per 5 meters
- device power
- strip width
- length of the strip segment
- length
- cable length
- LED strip with cable on both sides
- dimmable push switch
- dimmable touch switch
- monopolar mode (door switch)
- bipolar mode (standard switch)
- wire length with plug
- input voltage
- output voltage
- supply voltage
- level of protection
- possible electrical load (W)
- protection standard I
- protection standard II
- protection standard III
- scope for work temperature
- diameter
- plug type (schuko)
- plug type (french)
- quantities in box
- max socket load on USB

- silver
- white
- black
- chrome



Accessories matter

The REJS offer also includes other furniture accessories, such as furniture feet, hangers for upper cabinets, various types of brackets or supports for shelves and many others. To make your work even easier, our assortment also includes protective products, such as cardboard or protective films.

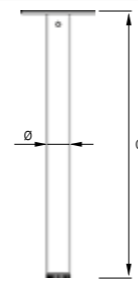
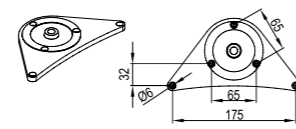
ADDITIONAL ACCESSORIES



Round steel furniture leg

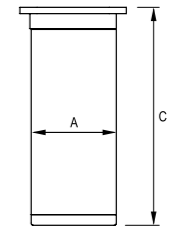
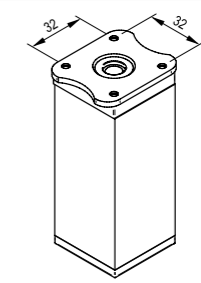


- steel top fixing plate
- adjustable plastic foot
- steel leg



$\varnothing \times C$	index	colour
60 x 710	TB04.0408.01	001, 004, 005, 054, 055
60 x 820	TB04.0410.01	001, 004, 005
60 x 1100	TB04.0411.01	001, 004, 005, 054

Adjustable square foot ALU

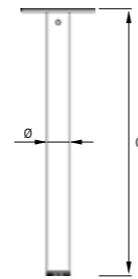
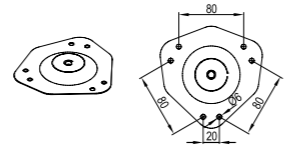


A x C	index	colour
40 x 60	TB07.6307.18	001, 003, 035, 061
40 x 100	TB07.6303.18	001, 003, 035, 061
40 x 150	TB07.6305.18	001, 003, 035, 061

Round steel furniture leg

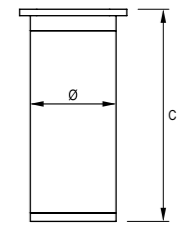
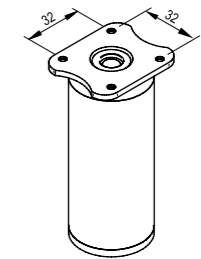


- steel top fixing plate
- adjustable plastic foot
- steel leg



$\varnothing \times C$	index	colour
60 x 710	TB04.0426.01	001, 004, 005, 054, 055, 788

Round adjustable foot ALU

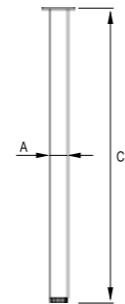
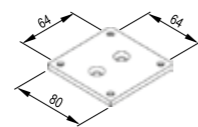


$\varnothing \times C$	index	colour
40 x 60	TB07.0507.18	035
40 x 100	TB07.0503.18	035
40 x 150	TB07.0505.18	035

Square aluminium furniture leg

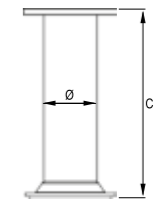


- aluminium fixing plate
- adjustable plastic foot
- aluminium leg



A x C	index	colour
45 x 710	TB08.0703.07	035
45 x 820	TB08.0706.07	035

Foot ALU-SO01

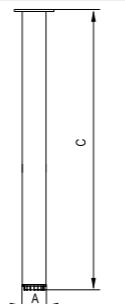
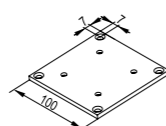


$\varnothing \times C$	index	colour
32 x 100	TB07.0103.09	014

Square aluminium furniture leg

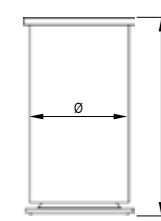
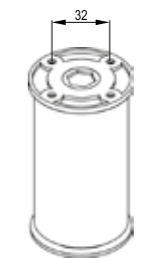


- aluminium fixing plate
- adjustable plastic foot
- aluminium leg



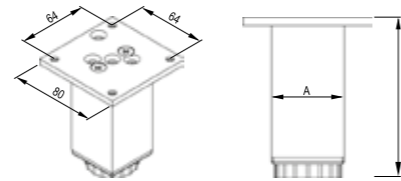
A x C	index	colour
60 x 710	TB08.3303.07	003, 035, 039, 741
60 x 820	TB08.3306.07	003, 035, 039, 741

Foot ALU-SO02



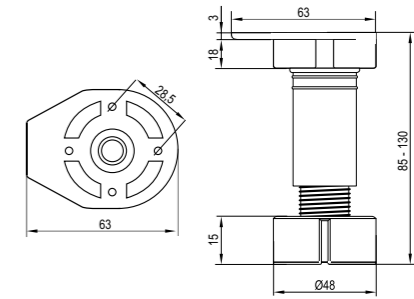
$\varnothing \times C$	index	colour
50 x 100	TB07.1003.09	014
50 x 150	TB07.1005.09	014

Adjustable foot ALU-SKR04



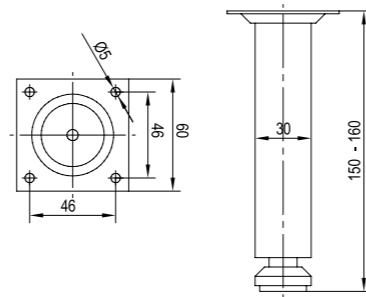
A x C	index	colour
45 x 50	TB07.2501.18	035
45 x 75	TB07.2502.18	035
45 x 100	TB07.2503.18	035, 039
45 x 120	TB07.2504.18	035
45 x 150	TB07.2505.18	035, 039
45 x 200	TB07.2506.18	035

3 piece adjustable foot with bracket



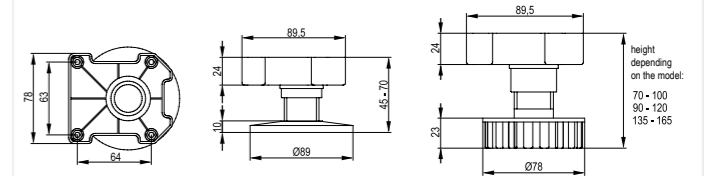
height	index	colour
100	TB06.0245.05	061

Foot M01



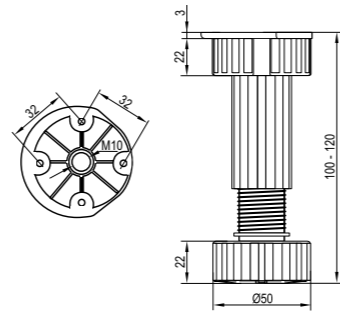
height	index	colour
100	TB02.0001.01	001

ITP adjustable foot



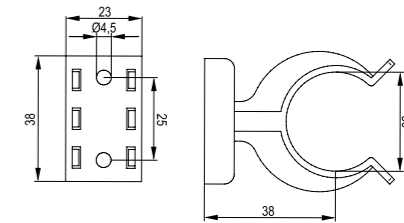
height	index	colour
45-70	TB06.0257.05	061
70-100	TB06.0258.05	061
90-120	TB06.0259.05	061
135-165	TB06.0260.05	061

Adjustable foot 2 piece



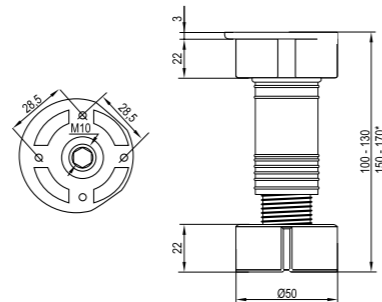
height	index	colour
100	TB06.0201.05	061

Clip for ITP foot



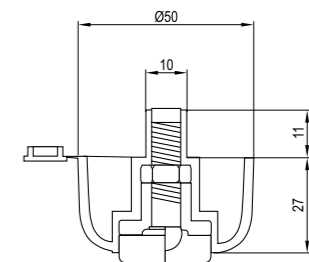
index	colour
TB06.0161.05	061

Adjustable foot 3 piece



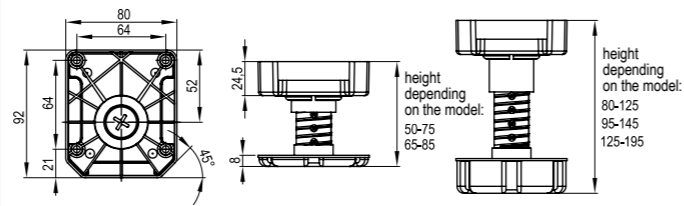
height	index	colour
100	TB06.0203.05	061
150	TB06.0208.05	061

Adjustable foot Ø50 ASA



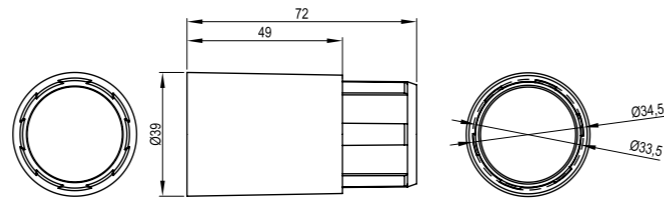
index	colour
TB06.0210.05	061

Furniture foot MULTI LEG



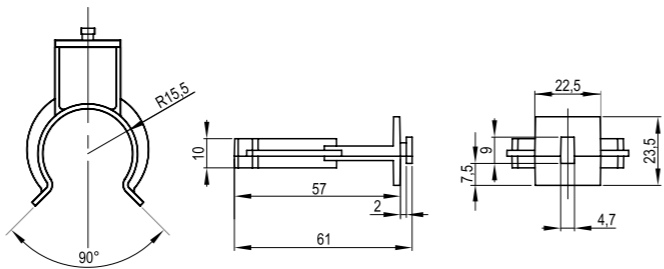
height	index	colour
50-75	TB02.0115.05	061
65-85	TB02.0116.05	061
85-125	TB02.0112.05	061
95-145	TB02.0113.05	061
125-195	TB02.0133.05	061

MULTI LEG furniture foot extension



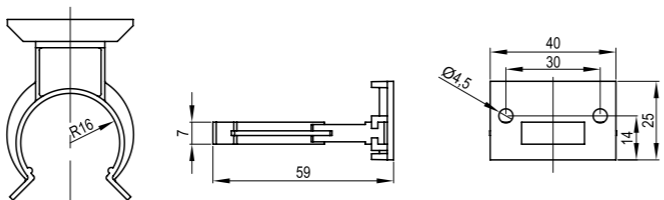
height	index	colour
50	TB02.0131.05	061

Clip for MULTI LEG clip 1-part set



index	colour
TB06.0176.05	061

Clip for MULTI LEG clip 2-parts set

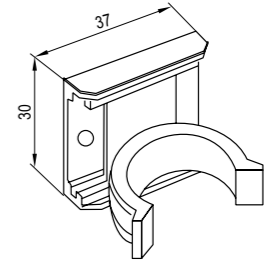


index	colour
TB06.0149.05	061

Clips for adjustable feet



- for fitting the furniture kickboard

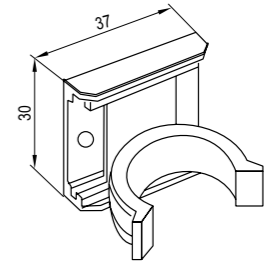


index	colour
TB06.0105.05	061

Kickboard clip

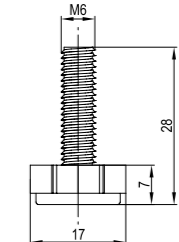


- for fitting an aluminium or plastic kickboard



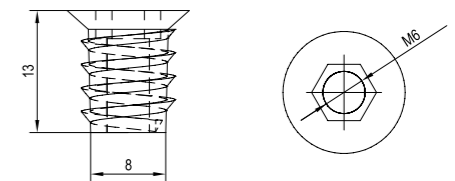
index	colour
TB06.0142.05	061

Level adjuster PI05 M6



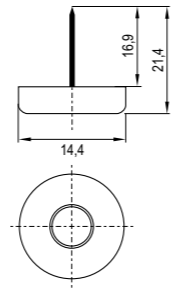
index	colour
TH02.1535.08	061

Plug BP05 M6



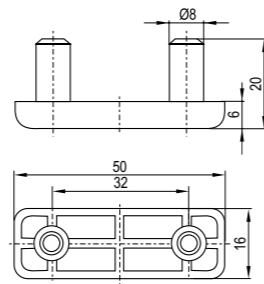
index	colour
TH02.2751.01	250

Single pin glide



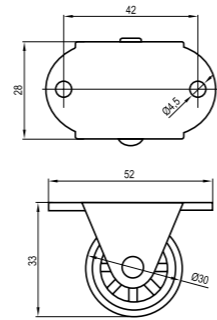
index	colour
TB01.0108.05	061

Double pin plastic glide



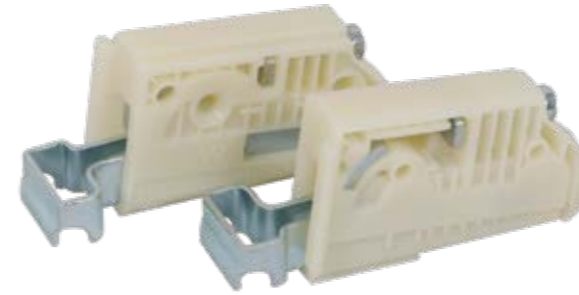
index	colour
TB01.0103.05	061

Rigid castor wheel

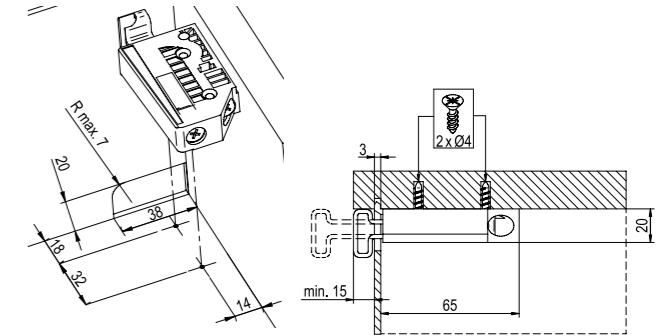


index	colour
TB01.0218.08	061

Cabinet hanger STRONG 01



- load capacity 100kg per set
- to be fitted on a mounting strip
- tested to standard EN 15939
- covers sold separately



NOTE: assembly of additional storage eg. closing shelf without the use of hangers is prohibited

index
TH01.2050.08.000

Cabinet hanger cover for STRONG 01

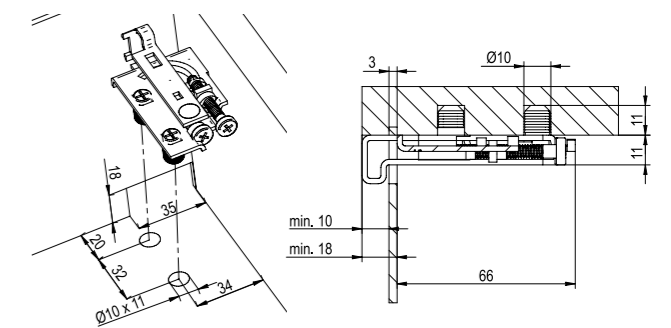


type	index	colour
left	TH01.1539.05	013
right	TH01.1540.05	013
left + right	TH01.2051.01	801

Cabinet hanger STRONG 02



- load capacity 100 kg per set
- to be fitted on a mounting strip
- tested to standard EN 15939
- white cover included in set



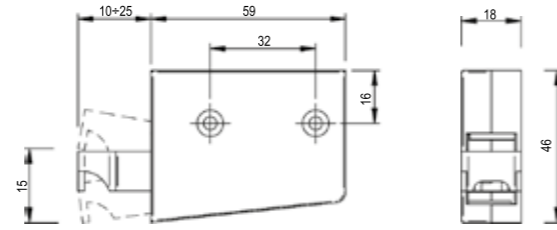
NOTE: assembly of additional storage eg. closing shelf without the use of hangers is prohibited

index	colour
TH01.2152.08	062

Universal regulated hanger I



- load capacity 50 kg per set
- to be fitted on a mounting strip
- tested to standard PN-EN 15939+A1:2014-03



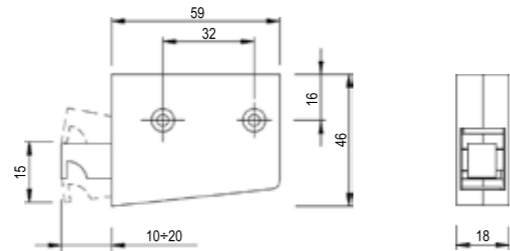
NOTE: assembly of additional storage eg. closing shelf without the use of hangers is prohibited

index	colour
WH01.0303.08	013

Universal regulated hanger II



- load capacity 50 kg per set
- to be fitted on a mounting strip
- tested to standard PN-EN 15939+A1:2014-03



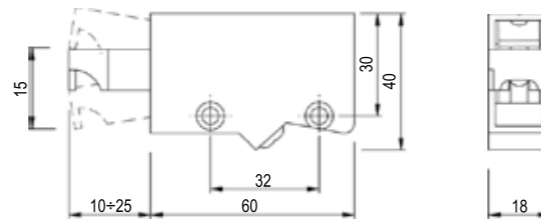
NOTE: assembly of additional storage eg. closing shelf without the use of hangers is prohibited

index	colour
WH01.0403.08	013

Inclined universal adjustable cabinet hanger



- load capacity 50 kg per set
- to be fitted on a mounting strip
- tested to standard PN-EN 15939+A1:2014-03



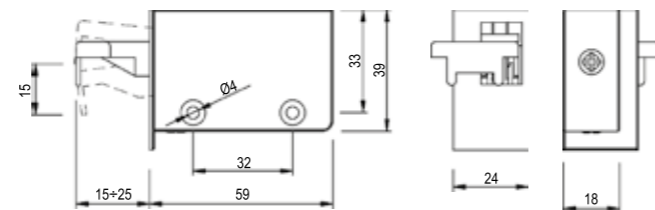
NOTE: assembly of additional storage eg. closing shelf without the use of hangers is prohibited

index	colour
WH01.0202.08	013

Adjustable hanger L/R



- load capacity 55 kg per set
- to be fitted on a mounting strip
- tested to standard PN-EN 15939+A1:2014-03



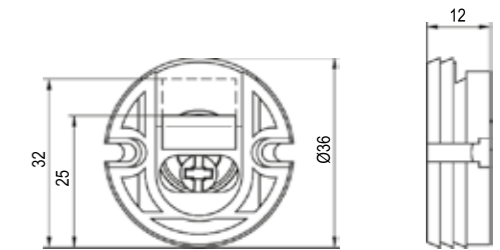
NOTE: assembly of additional storage eg. closing shelf without the use of hangers is prohibited

type	index	colour
left	WH01.0204.08	013
right	WH01.0205.08	013

Adjustable hanger with excentric screw



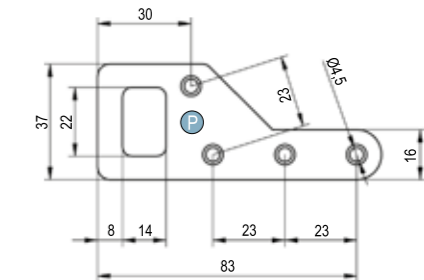
- maximum load capacity 15 kg/pc
- hung with the aid of hooks



NOTE: assembly of additional storage eg. closing shelf without the use of hangers is prohibited

index	colour
WH01.0206.08	037

Universal hook plate

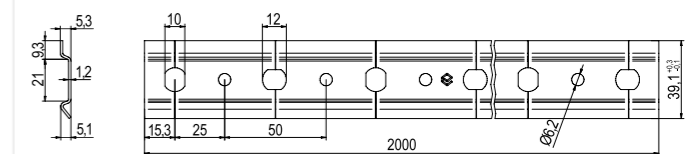


index	colour
WH01.0103.01	062

Mounting strip



- maximum capacity 150 kg/cabinet
- fitted with 2 screw in the place where the hanger is mounted
- can be adjusted to suit the appropriate dimension



L	index	colour
2000	WH01.0711.01	062

Single elliptical connector for glass/board (120)

- plastic insert included



index	colour
TL01.0204.14	001

Triple connector



type	index	colour
left (102)	TL01.0413.14	001
right (101)	TL01.0414.14	001

3-way mini connector (201)



index	colour
TL01.0518.14	001

3-way connector (202)



index	colour
TL01.0517.14	001

4-way adjustable connector (203)



index	colour
TL01.0619.14	001

Round wardrobe rail Ø25

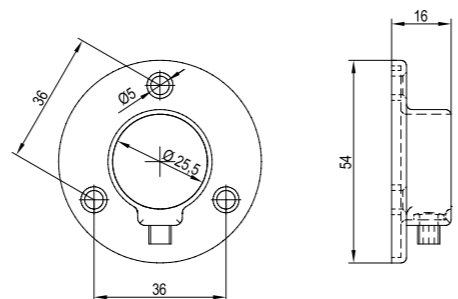


L	index	colour
3000	TA05.0060.01	001

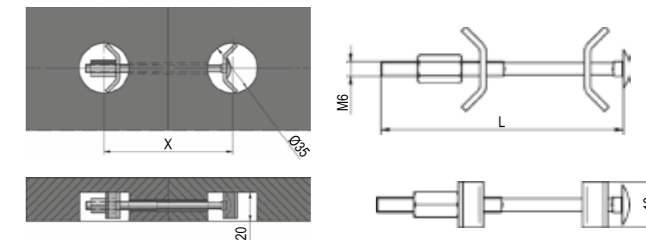
Round wardrobe rail support Ø25



index	colour
TA05.0003.66	001

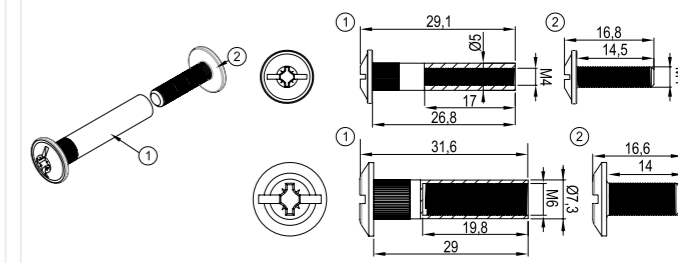


Worktop connector bolt



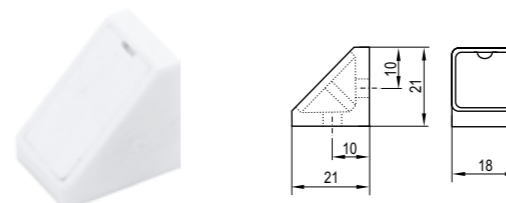
L	index	colour
65 x 32+41	WH02.0014.01	062
100 x 41+52	WH02.0019.01	062
150 x 75+84	WH02.0013.01	062

Connector bolt for boards



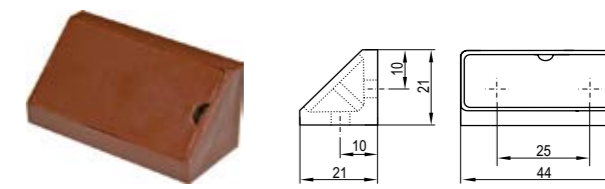
Ø	index	colour
5	TH02.0305.01	064
7,3	TH02.0308.01	064

Angled connector for „N” boards single



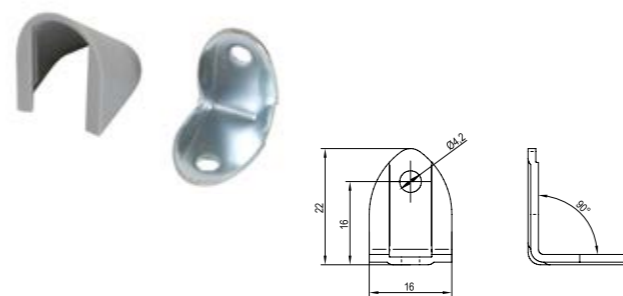
index	colour
TH02.5006.05	013, 038, 049, 061, 063, 067, 069, 070, 071, 072, 075, 157, 166, 360, A68

Angled connector for „N” boards double



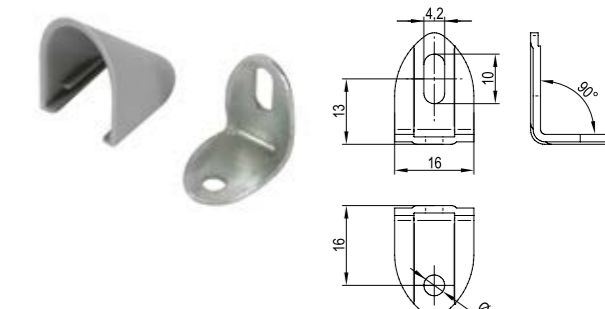
index	colour
TH02.5007.05	013, 038, 061, 063, 070, 166

Furniture brace Z-02



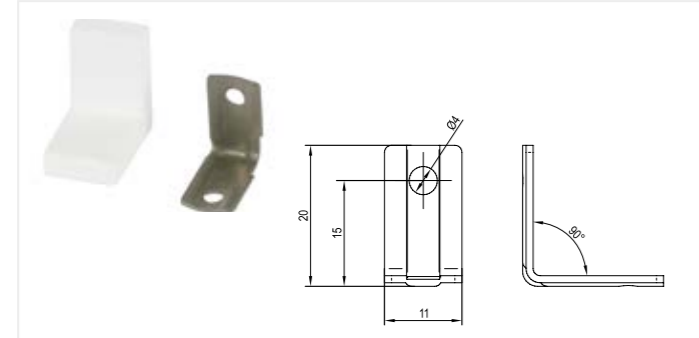
packaging	index	colour
80 pcs	TH02.7301.08	013, 061, 063, 067, 088, 094, 097, 157

Furniture brace PLUS Z-02



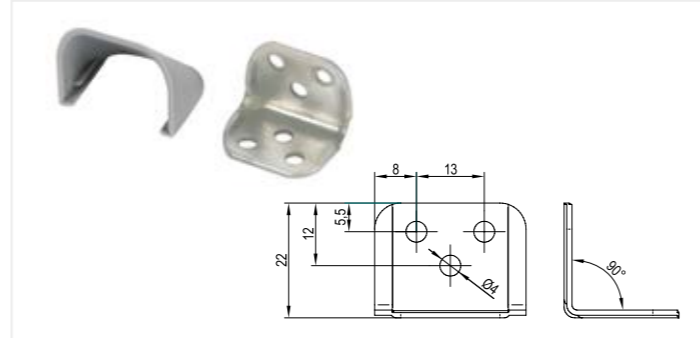
packaging	index	colour
80 pcs	TH02.7306.08	013, 061, 063, 067, 088, 094, 097, 157

Furniture brace Z-03



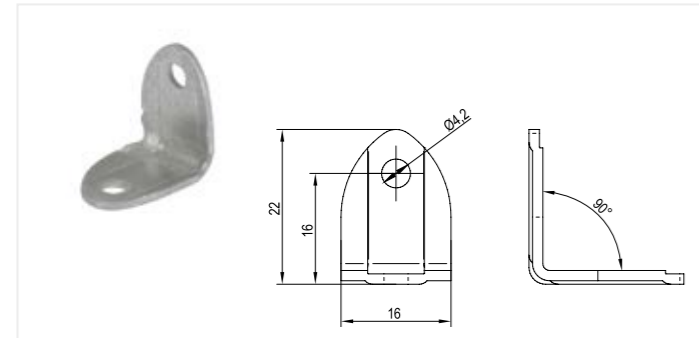
packaging	index	colour
100 pcs	TH02.7303.08	013, 061, 063, 097

Furniture brace MAX Z-02



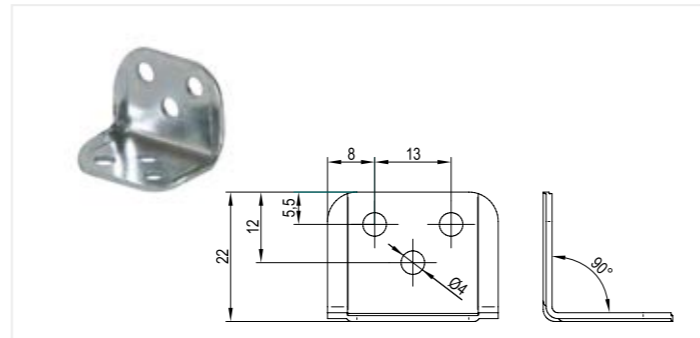
packaging	index	colour
50 pcs	TH02.7302.08	013, 061, 063, 067, 088, 094, 097, 157

Furniture brace - angled Z-02



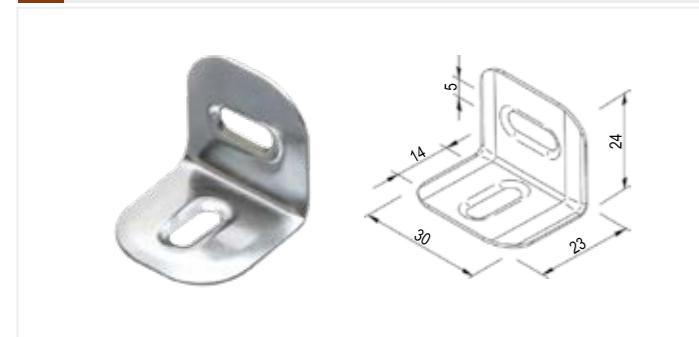
packaging	index	colour
80 pcs	TH02.7310.01	012

Furniture brace - angled Z-02 MAX



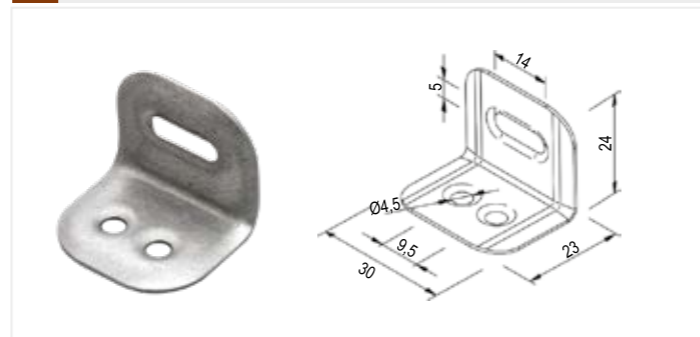
packaging	index	colour
50 pcs	TH02.7311.01	012

Corner bracket with 2 holes



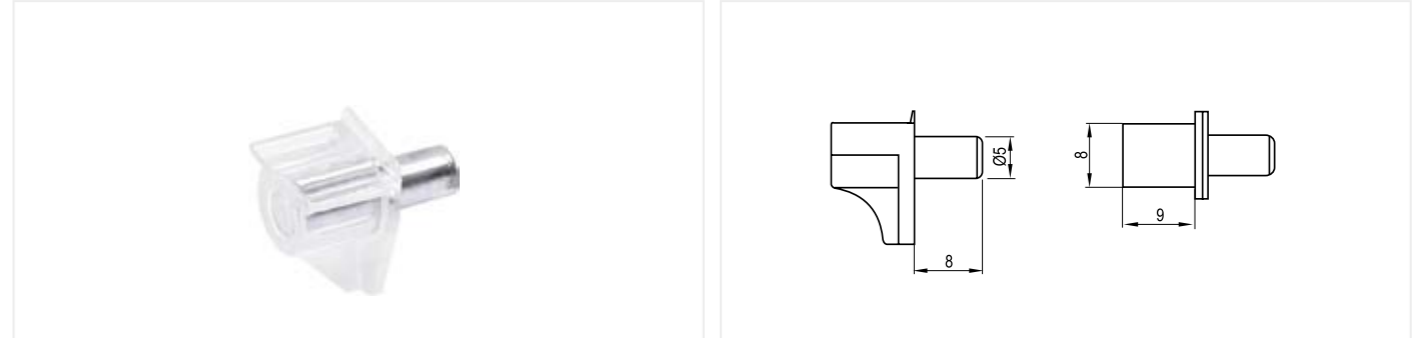
index	colour
WH02.0003.01	062

Corner bracket with 3 holes



index	colour
WH02.0004.01	062

Shelf support P1 Ø5



Ø	index	colour
5	TD01.0205.08	081

Shelf support Ø5 with shiled



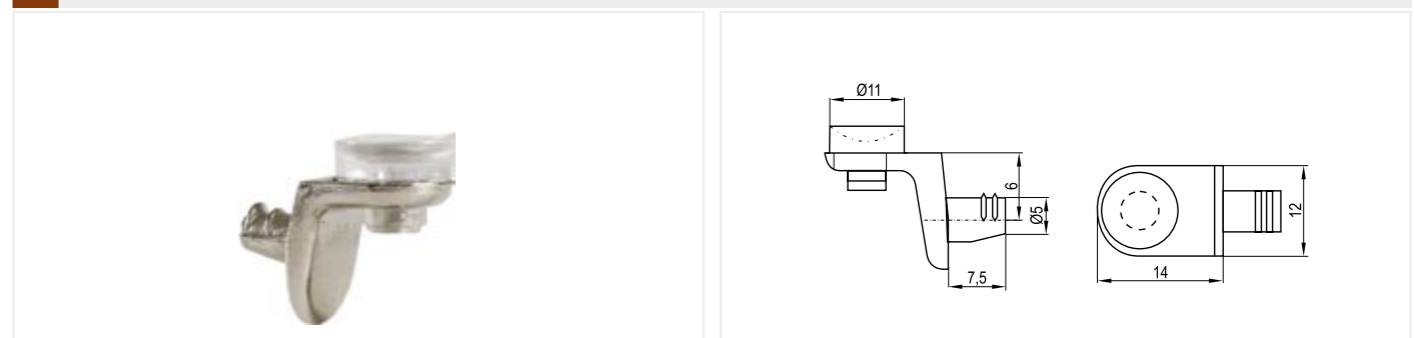
Ø	index
5	TD01.0226.08.000

Shelf support Ø5



Ø	A x B	index	colour
5	5 x 7	TD01.0204.01	062

Glass shelf support Ø5



Ø	index	colour
5	TD01.0206.08	064

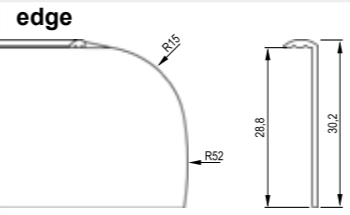
Shelf bracket



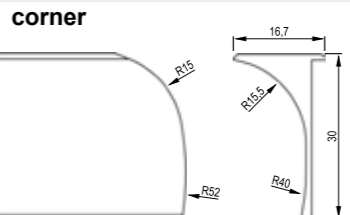

A x L	max. load	index	colour
78 x 115	8 kg	TD01.0101.08	013, 049, 050, 061, 076
115 x 182	9,5 kg	TD01.0113.08	013, 049, 050, 061, 076
143 x 235	11 kg	TD01.0114.08	013, 049, 050, 061, 076

Trim ALPO 28

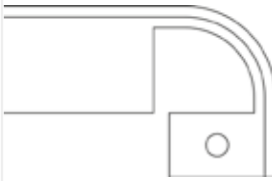
edge



corner



joining



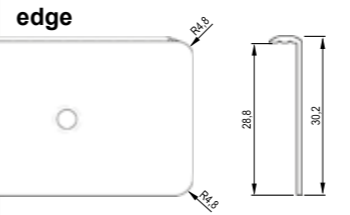
type	length	index	colour
left	600	TG04.0101.07	035
right	600	TG04.0201.07	035

length	index	colour
621	TG04.0413.07	035

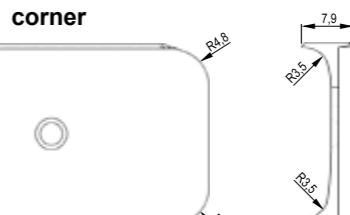
length	index	colour
600	TG04.0513.07	035

Trim K 28 I

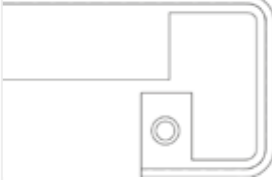
edge



corner



joining



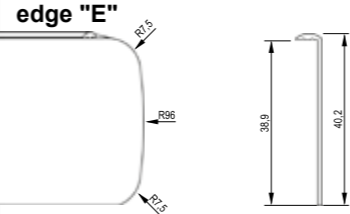
type	length	index	colour
left	600	TG04.0140.07	035
right	600	TG04.0240.07	035

length	index	colour
630	TG04.0440.07	035

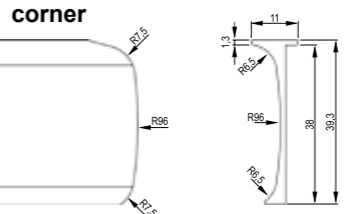
length	index	colour
600	TG04.0540.07	035

Trim DUROPAL 38

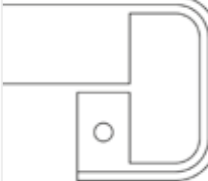
edge "E"



corner



joining



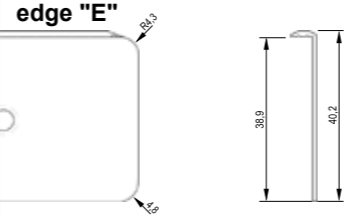
type	length	index	colour
left	600	TG04.0198.07	003, 035, 055
right	600	TG04.0298.07	003, 035, 055

length	index	colour
600	TG04.0414.07	003, 035, 055

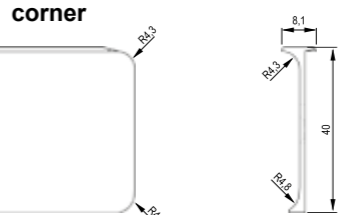
length	index	colour
600	TG04.0514.07	003, 035, 055

Trim EGGER 38

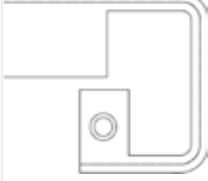
edge "E"



corner



joining



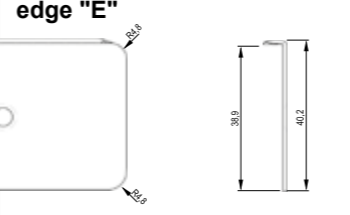
type	length	index	colour
left	600	TG04.0199.07	003, 035, 039, 055
right	600	TG04.0299.07	003, 035, 039, 055

length	index	colour
630	TG04.0448.07	003, 035, 039, 055

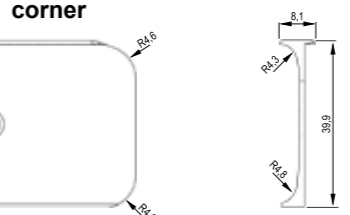
length	index	colour
600	TG04.0548.07	003, 035, 039, 055

Trim K 38 I

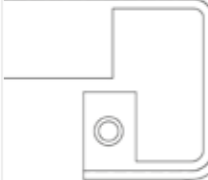
edge "E"



corner



joining

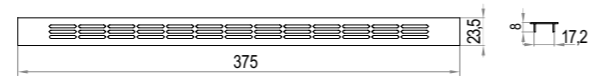


type	length	index	colour
left	600	TG04.0139.07	003, 035, 039, 055
right	600	TG04.0239.07	003, 035, 039, 055

length	index	colour
630	TG04.0450.07	003, 035, 039, 055

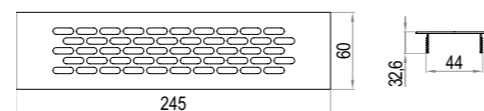
length	index	colour
600	TG04.0550.07	003, 035, 039, 055

Ventilation grill 23,5 x 375



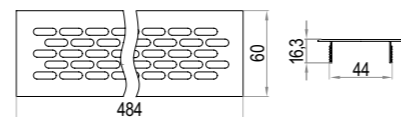
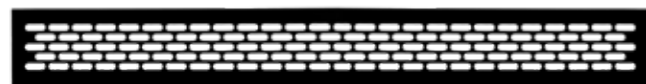
index	colour
TE12.0347.07	003, 035, 039, 041, 741

Ventilation grill 60 x 245



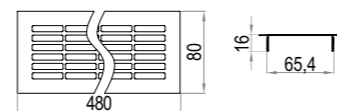
index	colour
TE12.0346.07	003, 035, 039, 041, 741

Ventilation grill 60 x 484



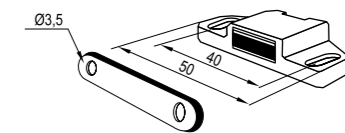
index	colour
TE12.0345.07	003, 035, 039, 041, 741

Ventilation grill 80 x 480



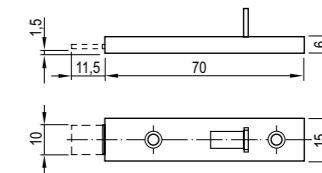
index	colour
TE12.0344.07	003, 035, 039, 041, 741

Magnetic lock + armature



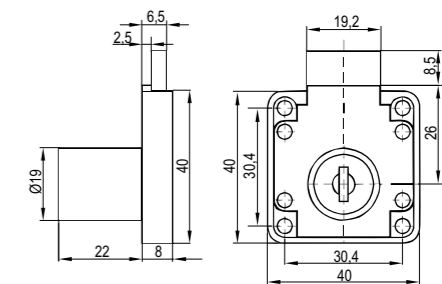
index	colour
TD02.0066.08	013, 037, 061

Sliding cabinet door latch



index	colour
TD02.0003.01	064

Square patented lock



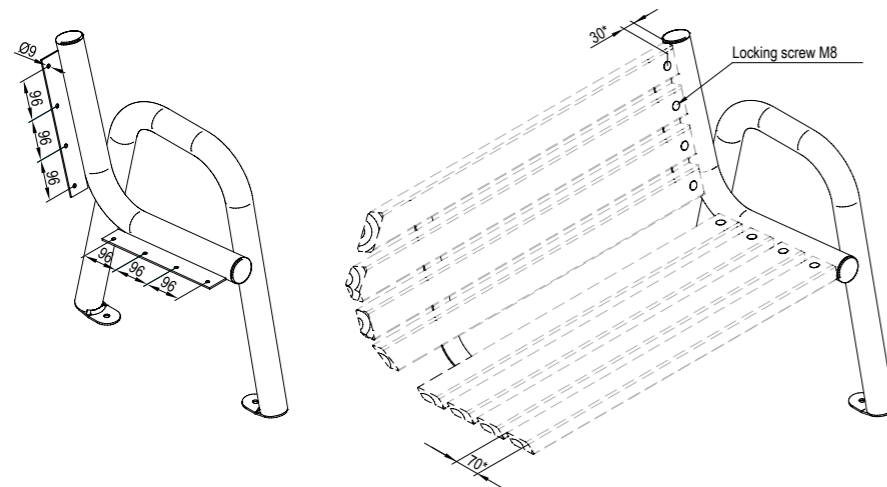
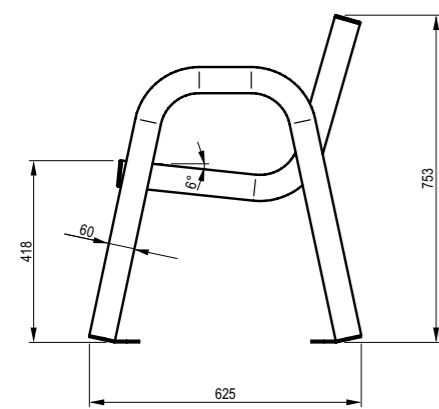
index	colour
TD02.0013.01	064

Bench frame



- the frame is made from galvanised pipes which are then powder coated
- protected against harmful weather conditions
- the product consists of frames only (without seat, backrest and assembly screws)
- the frame is adapted to be permanently fixed with screws passing through the foot of the bench

illustrative images, only the bench frame is available for sale

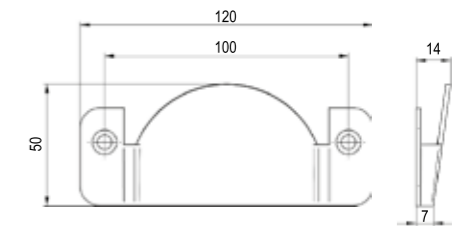


* recommended meas

Ø	index	colour
60	WB06.0606.01	055, 132

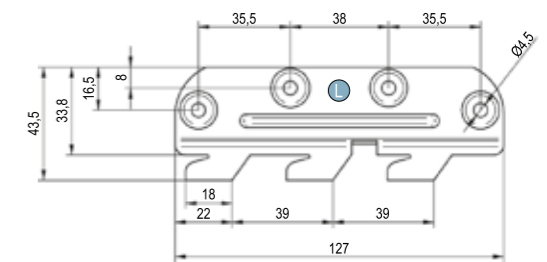
COATING CODE: 055 BLACK 132 GALVANISED/BLACK LACQUER

Bed hook



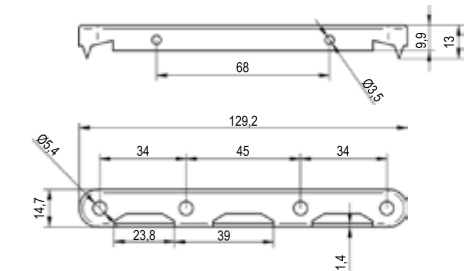
index	colour
WH02.0067.01	062

Bed hook



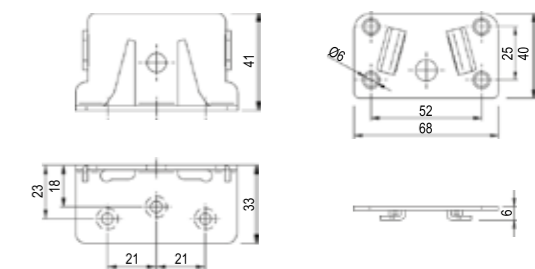
type	index	colour
left	WH02.0016.01	062
right	WH02.0017.01	062

Brace bracket connector



index	colour
WH02.0015.01	062

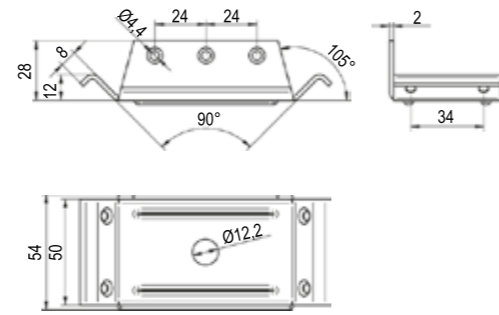
Central bed hook



index	colour
WH02.0018.01	062

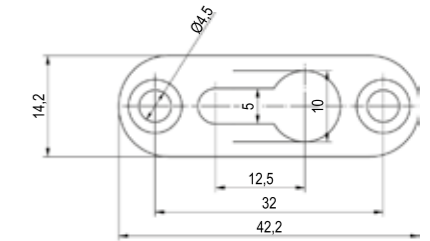
COATING CODE: 062 WHITE ZINC

Clamping clip one-hole BN



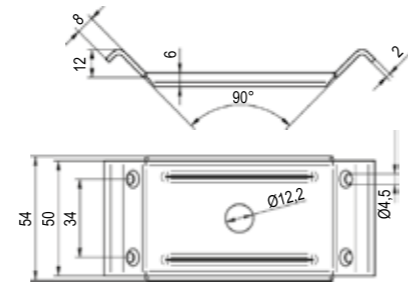
index	colour
WH02.0009.01	062

Cabinet fixing plate BA



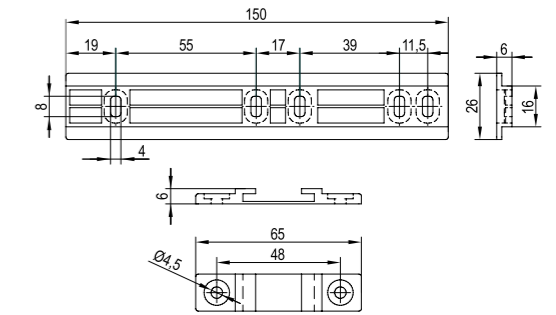
index	colour
WH01.0614.01	062

Clamping clip one-hole 2



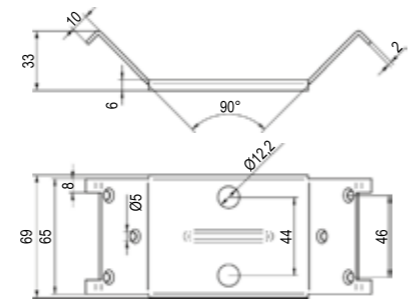
index	colour
WH02.0010.01	062

Refrigerator hanger



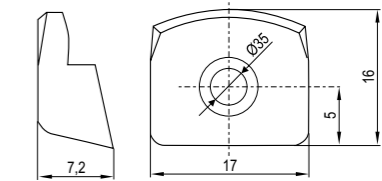
index	colour
TH02.1225.05	013

Clamping clip two-hole



index	colour
WH02.0011.01	062

Glass pane grip




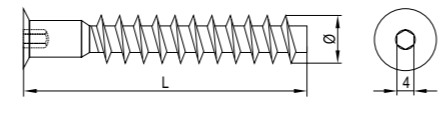
index	colour
TH02.1118.05	013, 081

End cap




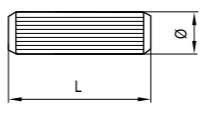
Ø	index	colour
35	TH02.1321.05	013

Confirmat screw

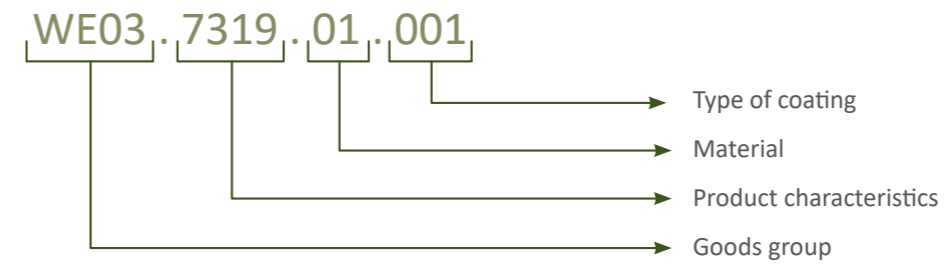
Ø x L	index	colour
6,4 x 50	TK01.0269.01	062
7 x 50	TK01.0277.01	062

Wooden dowels

Ø x L	packaging	index
8 x 30	10 000 pcs	TK01.7581.17.000
8 x 35	8 650 pcs	TK01.7582.17.000

Index structure:



Coating codes:

Galvanised coatings (steel)

001 CHROME	004 SATIN CHROME	005 SATIN NICKEL	006 BRASS	008 COPPER	012 UNCOATED
054 BRUSHED STAINLESS STEEL	062 WHITE ZINC	064 NICKEL	083 BRUSHED NICKEL	188 COPPER	250 YELLOW ZINC
253 GOLD	424 SILVER	801 SATIN	892 TITAN	956 BRASS	

Galvanised coatings (aluminium)

001 CHROME	035 NATURAL ANODE C-0	039 BLACK ANODE C-35	041 GOLD	253 GOLD ELECTROPOLER	529 ALUMINIUM
554 BLACK STRUCTURE MATTE	689 BLACK MATTE	741 STAINLESS STEEL EFFECT INOX	843 BRUSHED ALUMINIUM	BW7 BRUSHED GOLD	BH8 GOLD ANODE C-23

Lacquer finishes

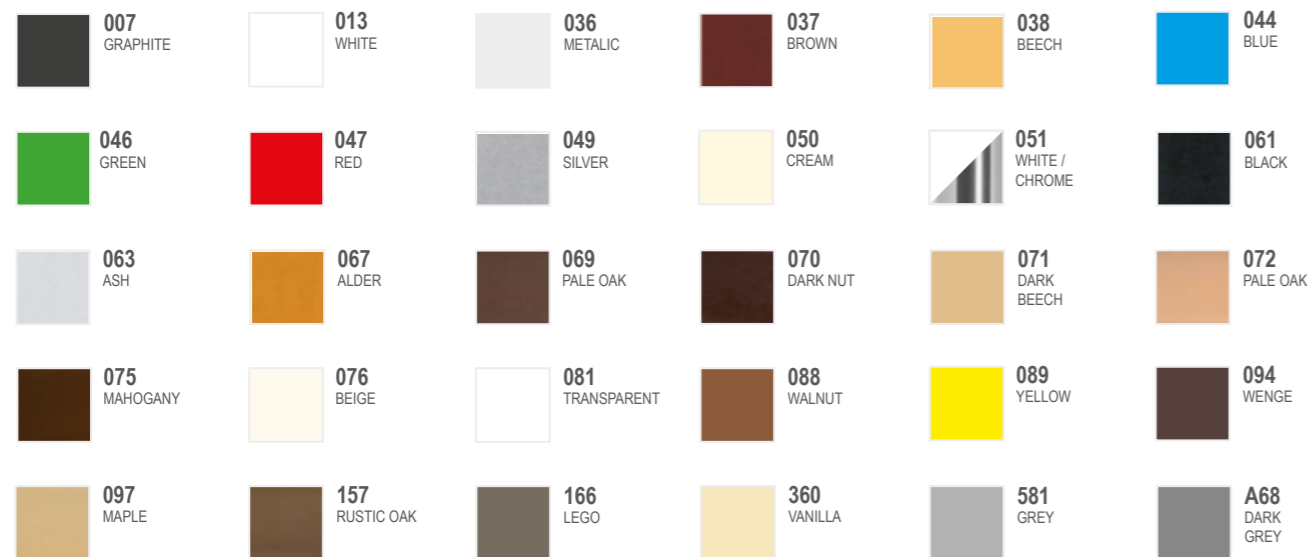
A18 BLACK MAT	A98 WHITE	002 SILVER	003 WHITE GLOSS RAL 9003	010 FLUID WHITE	043 GRAPHITE
055 BLACK	061 BLACK MAT	144 BLACK GLOSS RAL 9005	331 WHITE MATT RAL 9003	549 SILVER DS	715 BLACK MATTE
788 SILVER RAL 9006	799 BLACK	924 GRAPHITE	934 BLACK HALF MATT RAL 9005		

Information section

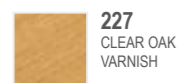
Combined finished



Plastic finishes



Wood finishes



Additional information:

Measurements are provided in mm.

General terms of sale regulating the purchasing conditions are available at points of sale and sales representatives.

The manufacturer reserves the right to make technical changes and to the catalog offer. The manufacturer is not responsible for typographical errors in the text or technical drawings.

The arranged photos are for demonstration purposes, they are intended to illustrate the use of the product.

The content of the catalog is copyrighted ©. Copying, reprinting text or graphics and photos without written consent from the manufacturer is prohibited.

HEADQUARTERS:

REJS Spółka z o.o., 87-500 Ryplin, ul. Mławska 61
BOK + 48 54 280 56 51, www.rejs.eu



RejsRyplin



rejs_wyposazenie_mebli



REJS Group



REJSakcesoria