



POWDER PAINTING HANGERS

POWDER PAINTING HANGERS

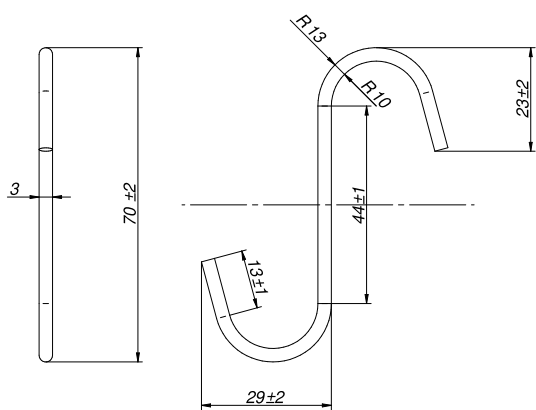


HANGERS TYPE C • TYPE G • TYPE S
PRODUCTION AS PER CUSTOMER REQUEST

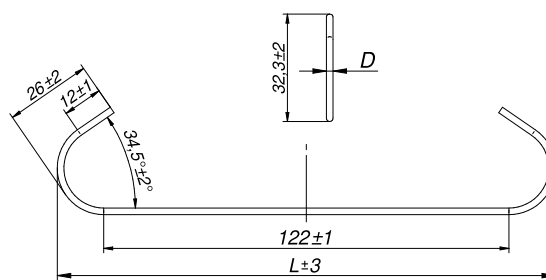
Rejs offers hangers for painting and varnishing workshops. We produce standard catalogue models and customised product according to the requirements and expectations of the customer.

Please contact us for free samples.

TYPE S / Ø3 L-70 mm

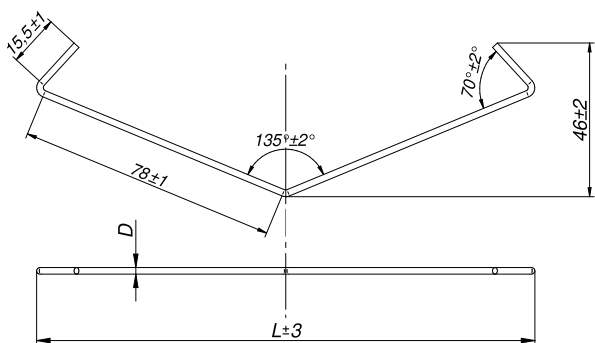


TYPE C / 2 BENDING



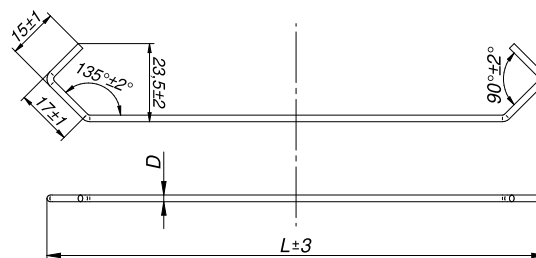
D (Ø)	L
2 mm	150 mm
3 mm	150 mm
4 mm	150 mm

TYPE C / 3 BENDING



D (Ø)	L
2 mm	150 mm
3 mm	150 mm
4 mm	150 mm

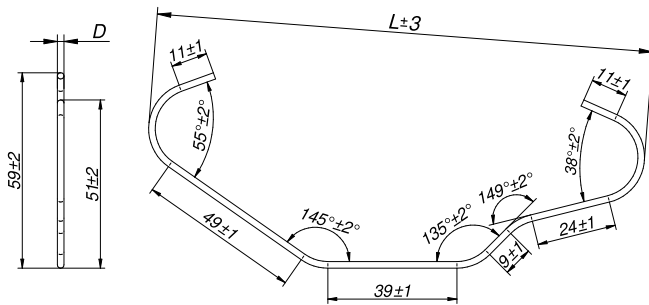
TYPE C / 4 BENDING



D (Ø)	L
2 mm	150 mm
3 mm	150 mm
4 mm	150 mm

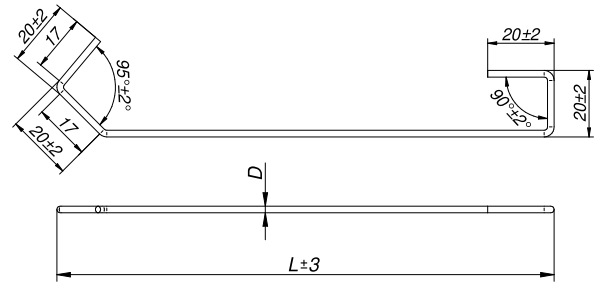
POWDER PAINTING HANGERS

TYPE AUTO



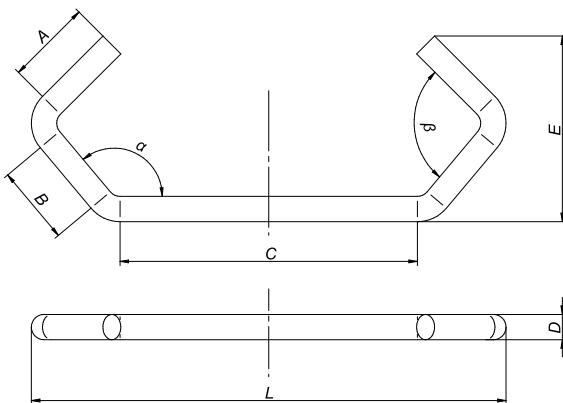
D (Ø)	L
2 mm	150 mm
3 mm	150 mm
4 mm	150 mm

TYPE G / 4 BENDING



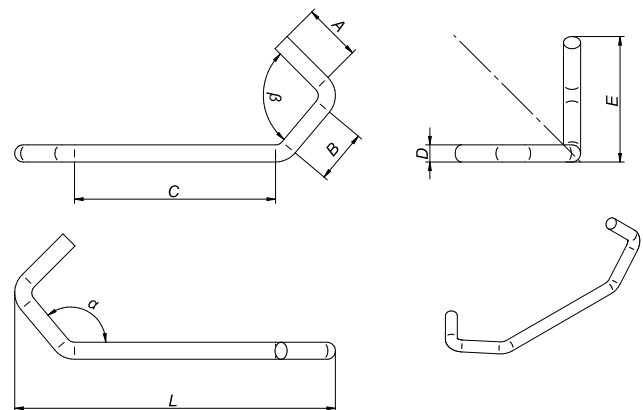
D (Ø)	L
2 mm	150 mm
3 mm	150 mm

TYPE C / 4 BENDING



D (Ø)	L	A	B	C	E	α (°)	β (°)
6 mm	100 mm	20±1	18±1	57±1	45±2	130±2	95±2
8 mm	150 mm	27±1	25±1	94±1	59±2		
	250 mm			94±1			
10 mm	150 mm	27±1	25±1	94±1	59±2	130±2	95±2
	250 mm			194±1			

TYPE C 90° / 4 BENDING



D (Ø)	L	A	B	C	E	α (°)	β (°)
4 mm	150 mm	15±1	15±1	94±1	32±2	130±2	90±2
6 mm	100 mm	20±1	18±1	57±1	45±2		
8 mm	150 mm	27±1	25±1	94±1	59±2	130±2	95±2
	250 mm			194±1			
10 mm	150 mm	27±1	25±1	94±1	59±2	130±2	95±2
	250 mm			194±1			

CONTACT US

tel. 604 600 290
tel. 662 130 214
e-mail: zawieszki@rejs.eu

Download the catalogue
digital version!



HEADQUARTERS:

REJS Spółka z o.o., 87-500 Rypin, ul. Mławska 61
BOK + 54 280 5651, www.rejs.eu

