



PAPIER

REJS

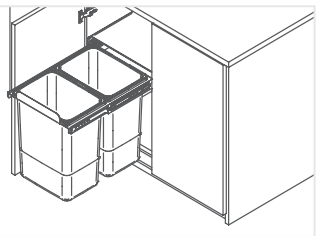
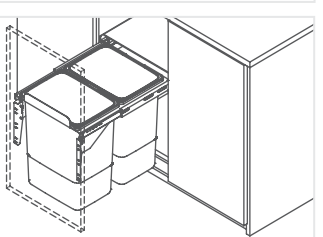
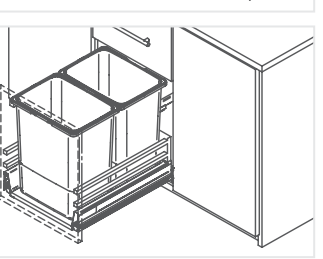
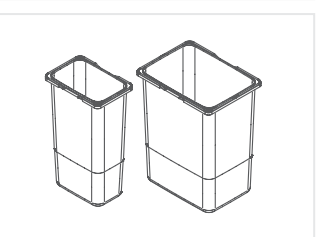


Waste segregation systems



In the era of growing environmental pollution, waste segregation ceases to be an option and becomes a necessity. We are obliged to recycle by law and common sense. But how to organize segregation in your own and often small kitchen? The answer is a functional waste segregation system, proposed by the REJS brand.

Sets of capacious bins have been designed to make it as easy as possible to maintain order in the kitchen. They are available in various capacities and configurations, so that they can be customized to suit individual needs. Thanks to the full extension runners, they are easily accessible. Tight covers protect against unpleasant odors, and obvious markings - facilitate sorting.

| | | |
|-----------------|---|---|
| <p>1</p> | <p>Wastebins Wastebins for cabinets with hinged fronts</p> <p>pg. 2-6</p> |  |
| <p>2</p> | <p>Wastebins Fitted to cabinet fronts</p> <p>pg. 7-11</p> |  |
| <p>3</p> | <p>Wastebins For drawers</p> <p>pg. 12-14</p> |  |
| <p>4</p> | <p>Bins and accessories For individual configurations</p> <p>pg. 15-17</p> |  |

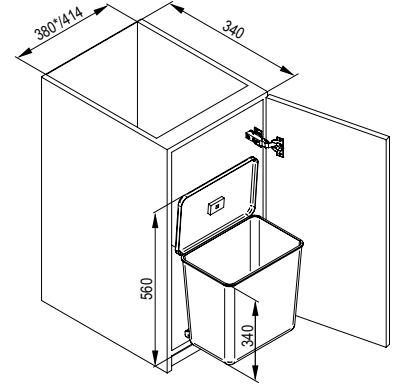
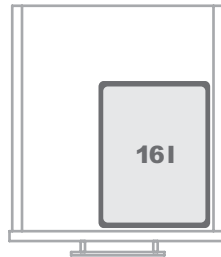
Wastebins

Wastebins for cabinets with hinged fronts

1

FRONT 45 **SESAMO1**

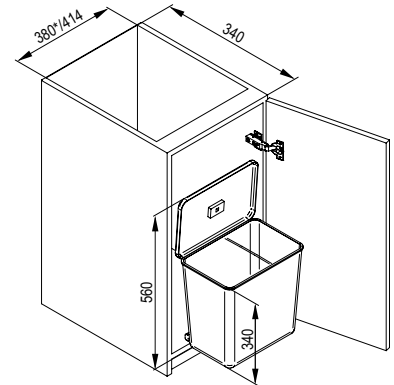
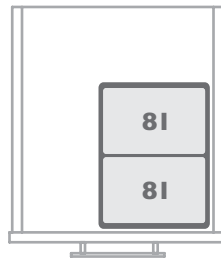
- single • universal (L / R) • plastic handles • load capacity 10 kg • bin capacity 1 x 16 l • bin is fitted to the side of the corpus and to the front • when opening the front extends out of the cabinet and the cover lifts • suitable for 40 cm cabinets* (after removing the distance)



| |
|------------------|
| index |
| TE22.0701.05.000 |

FRONT 45 **SESAMO2**

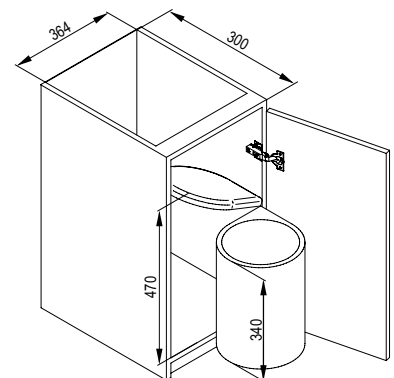
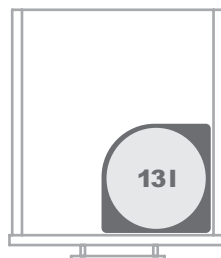
- double • universal (L / R) • plastic handles • load capacity 10 kg • bin capacity 2 x 8 l • bin is fitted to the side of the corpus and to the front • when opening the front the bin extends out of the cabinet and the cover lifts • suitable for 40 cm cabinets* (after removing the distance)



| |
|------------------|
| index |
| TE22.0802.05.000 |

FRONT 45 **AUTOMAT 270**

- single • universal (L / R) • available colors: white (013) and silver (049) • load capacity 10 kg • bin capacity 1 x 13 l • bin is fitted to the side of the corpus and to the front • when opening the front the bin extends out of the cabinet and the cover lifts



| | |
|--------------|----------|
| index | colour |
| TE22.1110.05 | 013, 049 |

COATING CODE: 013 WHITE 049 SILVER

Wastebins

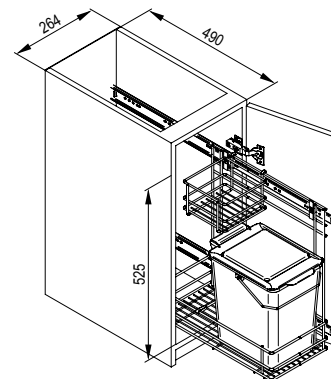
Wastebins for cabinets with hinged fronts



1

FRONT 30 Universal wastebin

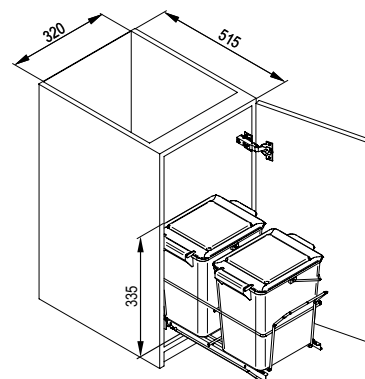
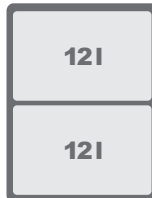
- single • universal (L / R) • available colors: white (013) and silver (549) • metal handle • full extension ball-bearing runner
- distance avoiding hinge opening • load capacity 10 kg • bin capacity 1 x 12 l • cargo type bin • fitted to the side of the corpus



| index | colour |
|--------------|----------|
| WE22.0110.05 | 013, 549 |

FRONT 40 Double wastebin

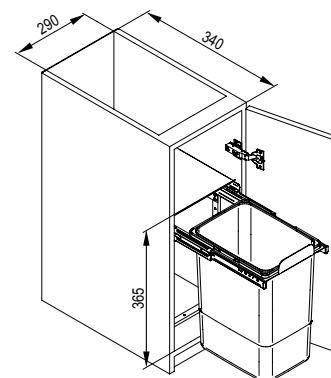
- double • available colors: white (013) and silver (549) • metal handles • partial extension roller runners • load capacity 10 kg • bin capacity 2 x 12 l • bin is fitted to the underbody of the corpus



| index | colour |
|--------------|----------|
| WE22.0105.05 | 013, 549 |

FRONT 40 ALADIN1

- single • with cover • with full extension ball-bearing runners • plastic handles • load capacity 10 kg • bin capacity 1 x 16 l
- container fitted to the underbody of the corpus



| index |
|------------------|
| TE22.0901.05.000 |

COATING CODE: 013 WHITE 549 SILVER DS

3

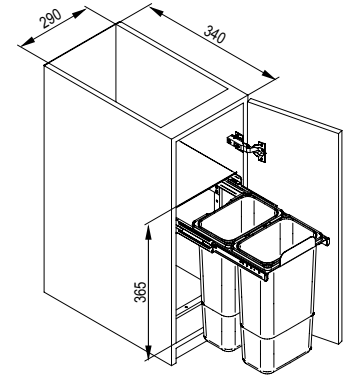
Wastebins

Wastebins for cabinets with hinged fronts

1

FRONT 40 ALADIN2

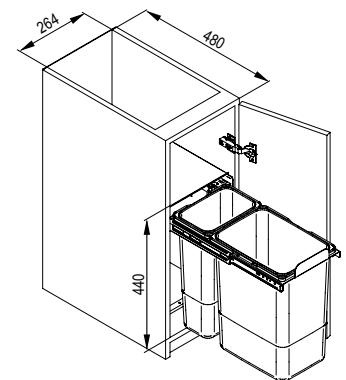
- double • with cover • with full extension ball-bearing runners • plastic handles • load capacity 10 kg • bin capacity 2 x 8 l
- bin fitted to the underbody of the corpus



| |
|------------------|
| index |
| TE22.1002.05.000 |

FRONT 30 JC603

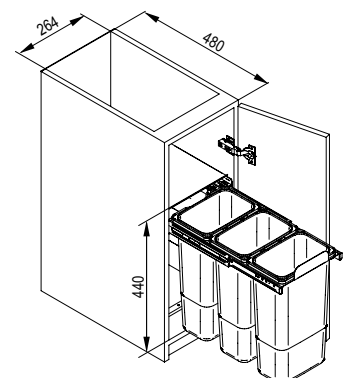
- double • with cover • with full extension ball-bearing runners • with soft-close • plastic handles • load capacity 15 kg
- bin capacity 1 x 9 l + 1 x 20 l • bin fitted to the underbody of the corpus



| | |
|--------------|----------|
| index | colour |
| WE14.1518.05 | 007, 549 |

FRONT 30 JC604

- triple • with cover • with full extension ball-bearing runners • with soft-close • plastic handles • load capacity 15 kg
- bin capacity 3 x 9 l • bin fitted to the underbody of the corpus



| | |
|--------------|----------|
| index | colour |
| WE14.1520.05 | 007, 549 |

Wastebins

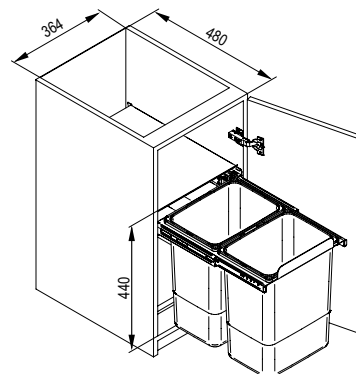
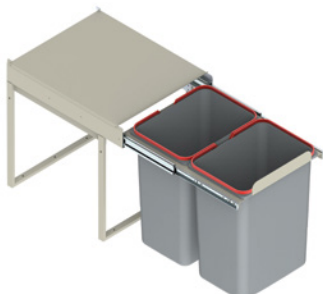
Wastebins for cabinets with hinged fronts



1

FRONT 40 JC602

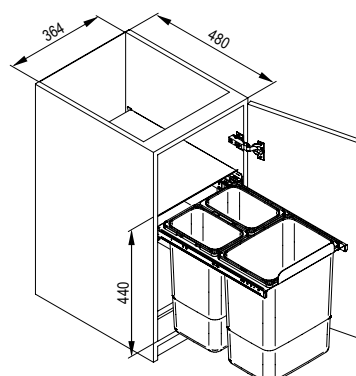
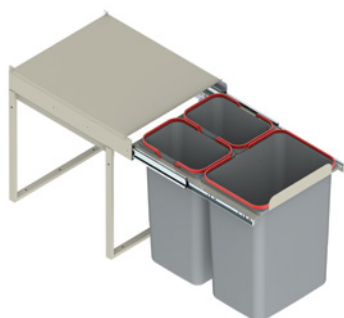
- double • with cover • with full extension ball-bearing runners • with soft-close • plastic handles • load capacity 15 kg
- bin capacity 2 x 20 l • bin fitted to the underbody of the corpus



| index | colour |
|--------------|----------|
| WE14.1517.05 | 007, 549 |

FRONT 40 JC601

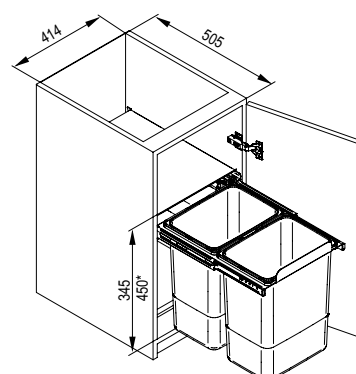
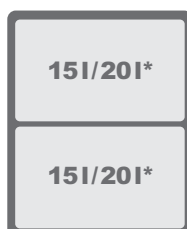
- triple • with cover • with full extension ball-bearing runners • with soft-close • plastic handles • load capacity 15 kg
- bin capacity 2 x 9 l + 1 x 20 l • bin fitted to the underbody of the corpus



| index | colour |
|--------------|----------|
| WE14.1519.05 | 007, 549 |

FRONT 45 JC607 low / tall*

- double • low or tall • with cover • with full extension runners • with soft-close • plastic handles • load capacity 20 kg
- bin capacity 2 x 15 l / 2 x 20 l* • bin fitted to the underbody of the corpus



| typ | index | colour |
|------------|--------------|--------|
| JC607 low | WE14.1533.05 | 549 |
| JC607 tall | WE14.1534.05 | 549 |

* applies to tall bin JC607

COATING CODE: 007 GRAPHITE 549 SILVER DS

5

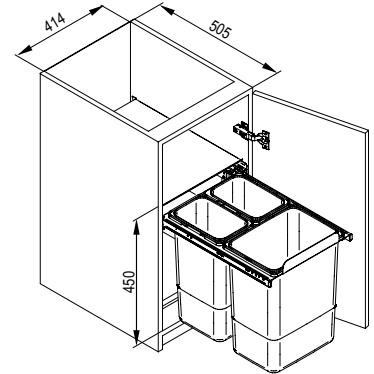
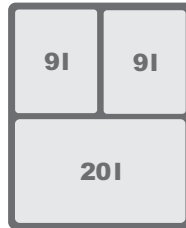
Wastebins

Wastebins for cabinets with hinged fronts

1

FRONT 45 JC606 tall

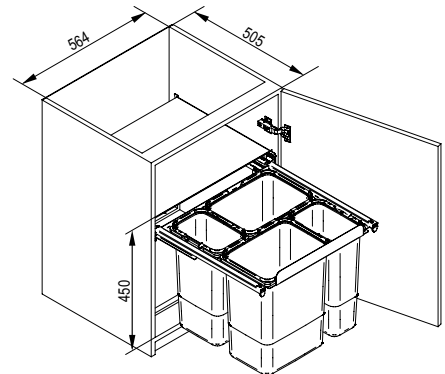
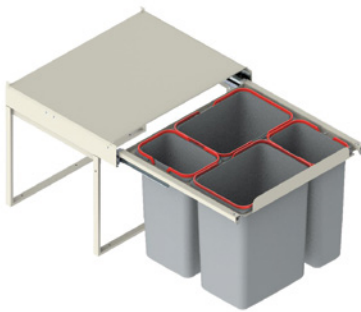
- triple • with cover • with full extension runners • with soft-close • plastic handles • load capacity 20 kg • bin capacity 2 x 9 l + 1 x 20 l • bin fitted to the underbody of the corpus



| index | colour |
|--------------|--------|
| WE14.1535.05 | 549 |

FRONT 60 JC609 tall

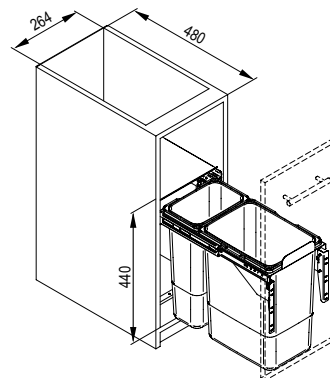
- quadruple • with cover • with full extension runners • with soft-close • plastic handles • load capacity 20 kg • bin capacity 2 x 9 l + 2 x 20 l • bin fitted to the underbody of the corpus



| index | colour |
|--------------|--------|
| WE14.1536.05 | 549 |

FRONT 30 JC603 + front fixing

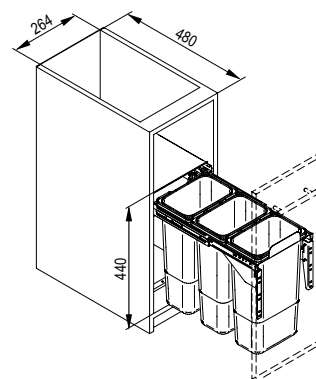
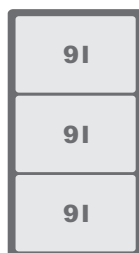
- double • with cover • with full extension ball-bearing runners • with soft-close • plastic handles • load capacity 15 kg
- bin capacity 1 x 9 l + 1 x 20 l • bin fitted to the underbody of the corpus • front fixings sold separately



| product name | index | colour |
|--------------|--------------|----------|
| JC603 | WE14.1518.05 | 007, 549 |
| front fixing | WE24.0017.01 | 549, 924 |

FRONT 30 JC604 + front fixing

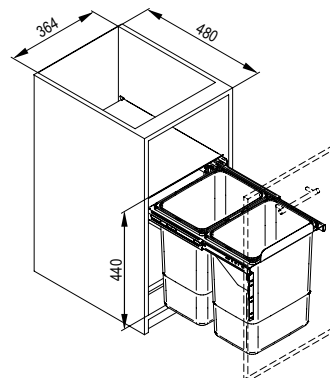
- triple • with cover • with full extension ball-bearing runners • with soft-close • plastic handles • load capacity 15 kg
- bin capacity 3 x 9 l • bin fitted to the underbody of the corpus • front fixings sold separately



| product name | index | colour |
|--------------|--------------|----------|
| JC604 | WE14.1520.05 | 007, 549 |
| front fixing | WE24.0017.01 | 549, 924 |

FRONT 40 JC602 + front fixing

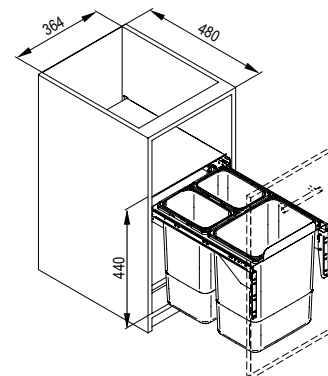
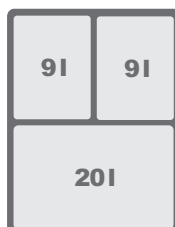
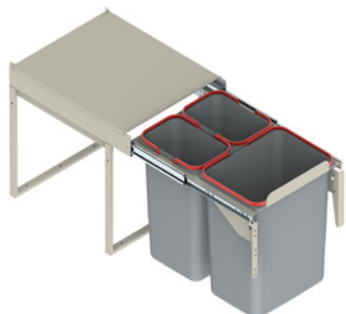
- double • with cover • with full extension ball-bearing runners • with soft-close • plastic handles • load capacity 15 kg
- bin capacity 2 x 20 l • bin fitted to the underbody of the corpus • front fixings sold separately



| product name | index | colour |
|--------------|--------------|----------|
| JC602 | WE14.1517.05 | 007, 549 |
| front fixing | WE24.0017.01 | 549, 924 |

FRONT 40 JC601 + front fixing

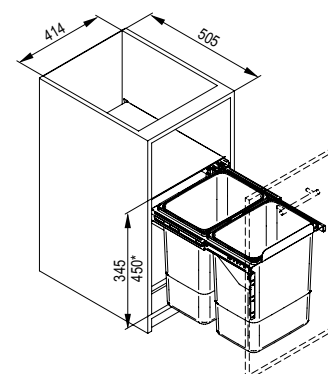
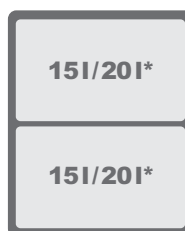
- triple • with cover • with full extension ball-bearing runners • with soft-close • plastic handles • load capacity 15 kg
- bin capacity 2 x 9 l + 1 x 20 l • bin fitted to the underbody of the corpus • front fixings sold separately



| product name | index | colour |
|--------------|--------------|----------|
| JC601 | WE14.1519.05 | 007, 549 |
| front fixing | WE24.0017.01 | 549, 924 |

FRONT 45 JC607 low / tall* + front fixing

- double • low or tall • with cover • with full extension runners • with soft-close • plastic handles • load capacity 20 kg
- bin capacity 2 x 15 l / 2 x 20 l* • bin fitted to the underbody of the corpus • front fixings sold separately

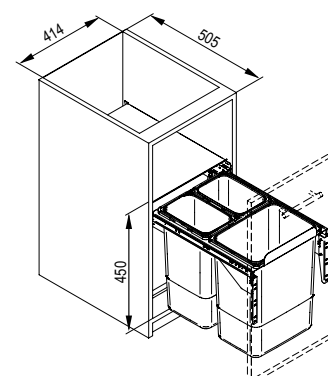


| product name | index | colour |
|--------------|--------------|--------|
| JC607 low | WE14.1533.05 | 549 |
| JC607 tall | WE14.1534.05 | 549 |
| front fixing | WE24.0017.01 | 549 |

* applies to tall bins JC607

FRONT 45 JC606 tall + front fixing

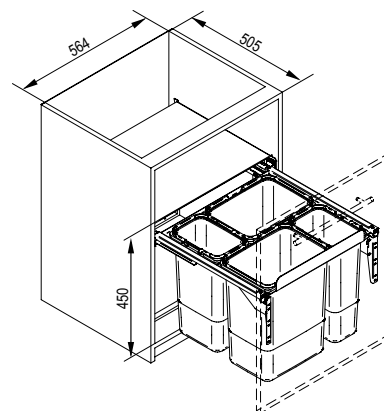
- triple • with cover • with full extension runners • with soft-close • plastic handles • load capacity 20 kg • bin capacity 2 x 9 l + 1 x 20 l • bin fitted to the underbody of the corpus • front fixings sold separately



| product name | index | colour |
|--------------|--------------|--------|
| JC606 tall | WE14.1535.05 | 549 |
| front fixing | WE24.0017.01 | 549 |

FRONT 60 JC609 tall + front fixing

- quadruple • with cover • with full extension runners • with soft-close • plastic handles • load capacity 20 kg • bin capacity 2 x 9 l + 2 x 20 l • bin fitted to the underbody of the corpus • front fixing sold separately

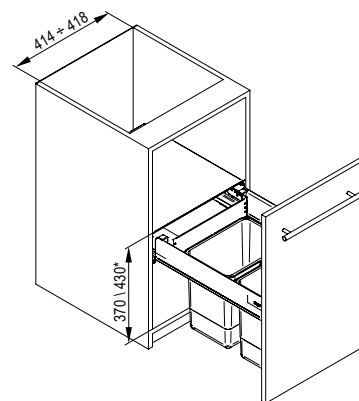
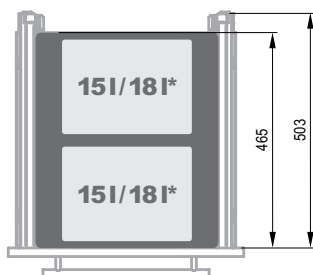
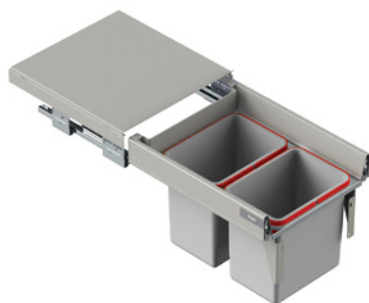


* applies to tall bins JC609

| product name | index | colour |
|--------------|--------------|--------|
| JC609 tall | WE14.1536.05 | 549 |
| front fixing | WE24.0017.01 | 549 |

FRONT 45 MAXIMA drawer L-500 H=350 / H=410*

- double • with cover • with full extension runners • with soft-close • runners are protected against dirt • flexible handles • load capacity 25 kg • bin capacity 2 x 15 l / 18 l* • bins fitted to the sides of the corpus • front fixing included

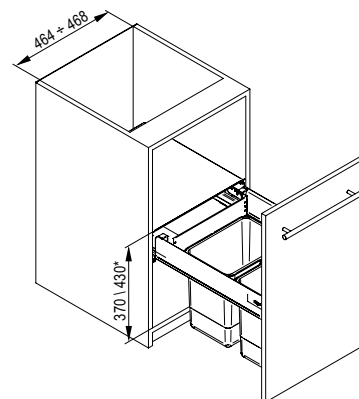
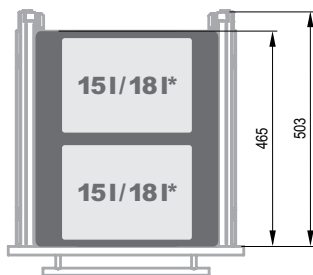
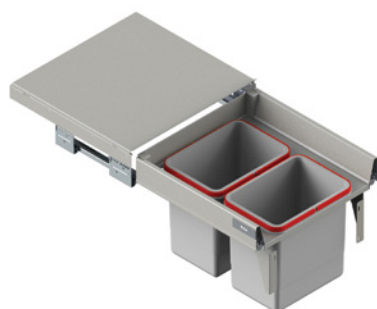


* applies to height H=410

| height | index | colour |
|--------|--------------|--------|
| H=350 | WE28.2018.01 | 002 |
| H=410 | WE28.2020.01 | 002 |

FRONT 50 MAXIMA drawer L-500 H=350 / H=410*

- double • with cover • with full extension runners • with soft-close • runners are protected against dirt • flexible handles • load capacity 25 kg • bin capacity 2 x 15 l / 18 l* • bins fitted to the sides of the corpus • front fixing included

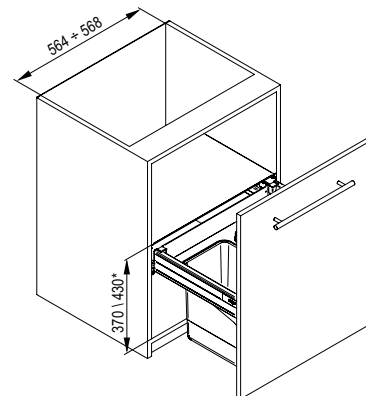
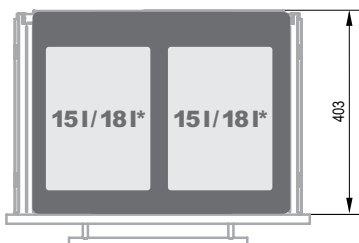
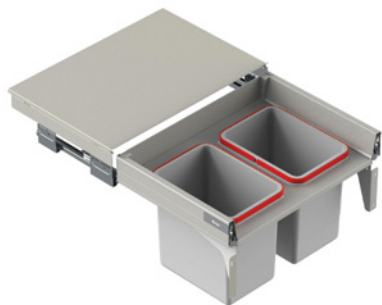


* applies to height H=410

| height | index | colour |
|--------|--------------|--------|
| H=350 | WE28.1618.01 | 002 |
| H=410 | WE28.1620.01 | 002 |

FRONT 60 MAXIMA drawer L-400 H=350 / H=410*

- double • with cover • with full extension runners • with soft-close • runners are protected against dirt • flexible handles
- load capacity 25 kg • bin capacity 2 x 15 l / 18 l* • bins fitted to the sides of the corpus • front fixing included

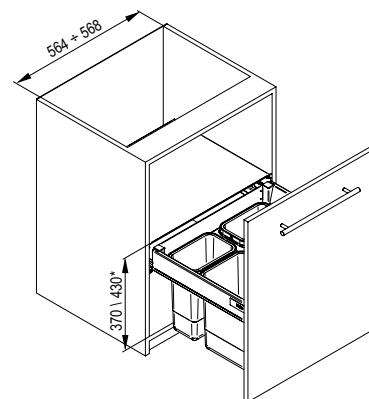
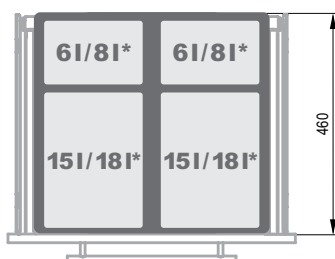
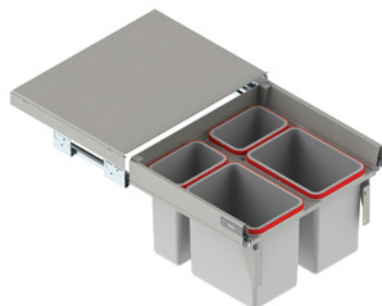


| height | index | colour |
|--------|--------------|--------|
| H=350 | WE28.1722.01 | 002 |
| H=410 | WE28.1723.01 | 002 |

* applies to height H=410

FRONT 60 MAXIMA drawer L-450 H=350 / H=410*

- quadruple • with cover • with full extension runners • with soft-close • runners are protected against dirt • flexible handles
- load capacity 25 kg • bin capacity 2 x 6 l / 8 l* + 2 x 15 l / 18 l* • bins fitted to the sides of the corpus • front fixing included

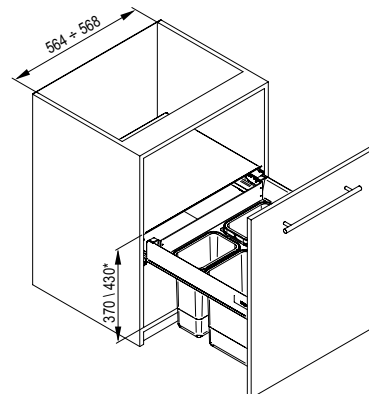
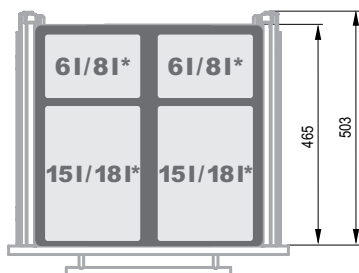
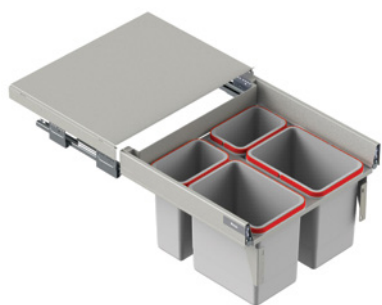


| height | index | colour |
|--------|--------------|--------|
| H=350 | WE28.1717.01 | 002 |
| H=410 | WE28.1719.01 | 002 |

* applies to height H=410

FRONT 60 MAXIMA drawer L-500 H=350 / H=410*

- quadruple • with cover • with full extension runners • with soft-close • runners are protected against dirt • flexible handles
- load capacity 25 kg • bin capacity 2 x 6 l / 8 l* + 2 x 15 l / 18 l* • bins fitted to the sides of the corpus • front fixing included

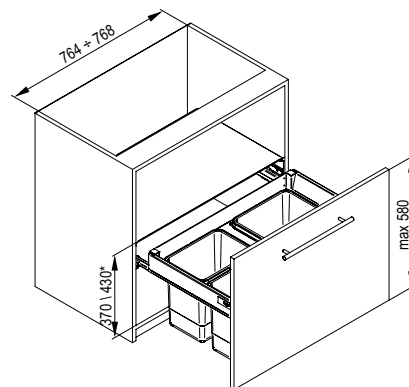
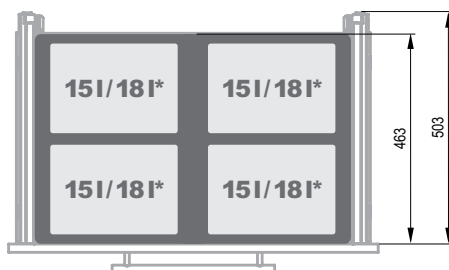
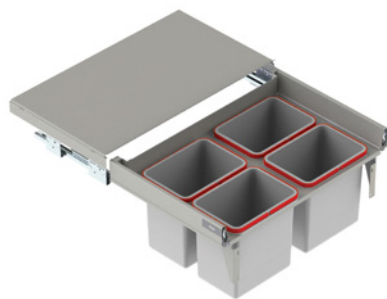


| height | index | colour |
|--------|--------------|----------|
| H=350 | WE28.1718.01 | 002, 924 |
| H=410 | WE28.1720.01 | 002, 924 |

* applies to height H=410

FRONT 80 MAXIMA drawer L-500 H=350 / H=410*

- quadruple • with cover • with full extension runners • with soft-close • runners are protected against dirt • flexible handles
- load capacity 25 kg • bin capacity 4 x 15 l / 18 l* • bins fitted to the sides of the corpus • front fixing included

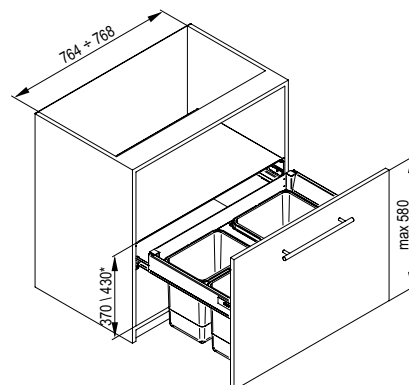
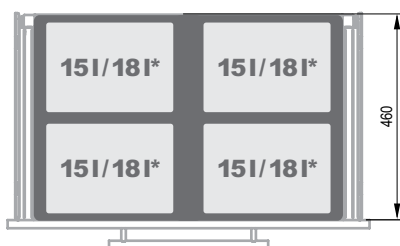
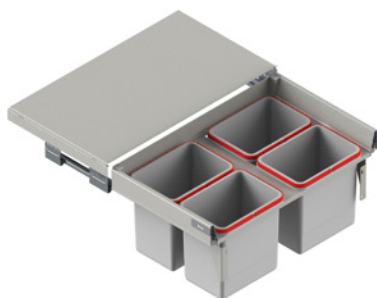


* applies to height H=410

| height | index | colour |
|--------|--------------|----------|
| H=350 | WE28.1818.01 | 002, 924 |
| H=410 | WE28.1820.01 | 002, 924 |

FRONT 80 MAXIMA drawer L-450 H=350 / H=410*

- quadruple • with cover • with full extension runners • with soft-close • runners are protected against dirt • flexible handles
- load capacity 25 kg • bin capacity 4 x 15 l / 18 l* • bins fitted to the sides of the corpus • front fixing included



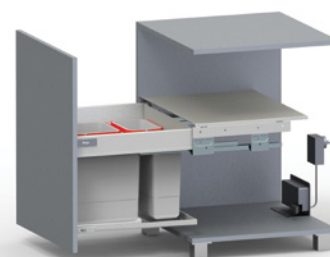
* applies to height H=410

| height | index | colour |
|--------|--------------|--------|
| H=350 | WE28.1817.01 | 002 |
| H=410 | WE28.1819.01 | 002 |

i WE RECOMMEND: handle-free opening system for MAXIMA drawers (PUSH-OPEN)

The construction of the MAXIMA drawer wastebins is compatible with Hettich's Easys electromechanical opening system, or Blum Servo-Drive. Thanks to these systems, opening and closing the drawer can be done by pressing the front with your hand or knee, making life easier. It helps to maintain cabinet fronts clean, whilst simultaneously providing soft close.

To obtain electrical support for the drawer, you must also purchase the frame for electric drawer opening and Easys Hettich system (see page 17).



PRAKTIKO

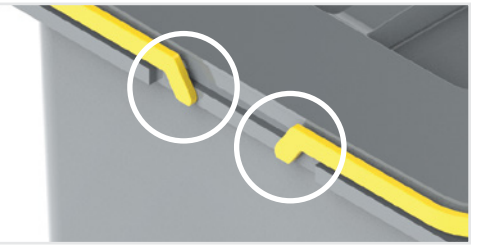
NEW product version!



3

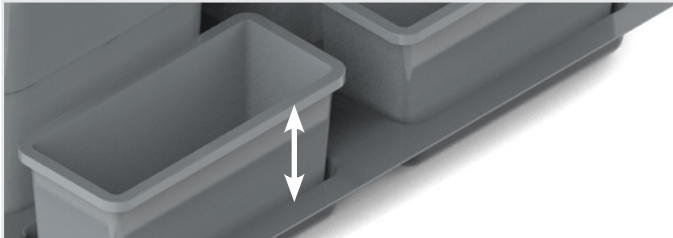
Double handles

Double-mounted handles greatly improve the stability of containers during use. A centre of gravity based on two points, offsets the tilt of the bucket when unevenly loaded.



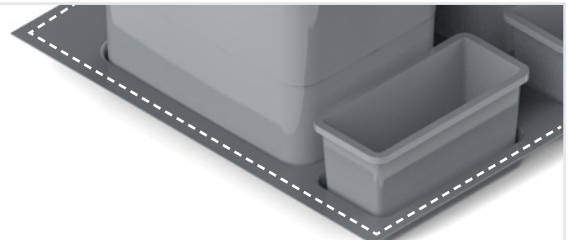
More capacity

A new small additional container, increases capacity.



Tray with wider edge

The new tray with a wider edge, enables for greater accuracy when cutting to measure.



Made in Poland

New containers and trays are branded with the REJS logo, the entire production process takes place in Poland.



Stickers included

Each set comes with a set of stickers, making segregation even easier.



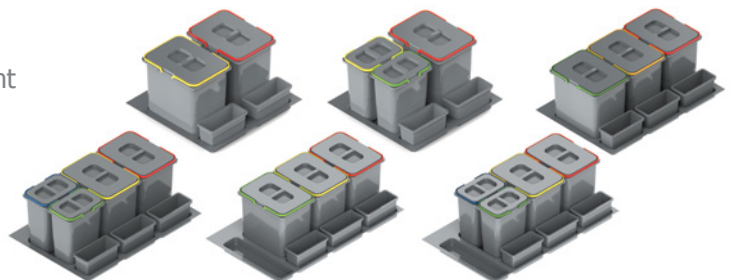
Colour-coded handles

This is another element that allows you to quickly distinguish the contents of containers. The colour-coded handles are compatible with waste segregation standards.



Available in various configurations

New sets of containers are available in different configurations. They differ from each other in: number, capacity and height of containers, which allows for an even better selection to meet the user's needs.



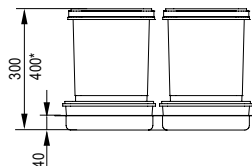
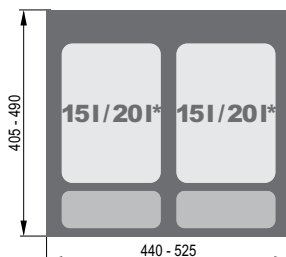
FRONT 60 PRAKTIKO

- double • bins with covers included • plastic handles • for drawer depths L-450 and L-500 mm • insert trays can be cut to fit • bin capacity 2 x 15 l / 20 l* • individual components available separately



Demonstrative images, handles are randomly selected and the same colour is not repeated in one set.

| height | index | colour |
|--------|--------------|--------|
| H=300 | WE14.1821.05 | 049 |
| H=400 | WE14.1827.05 | 049 |



* applies to height H=400

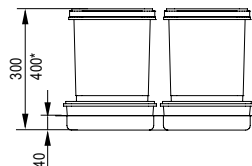
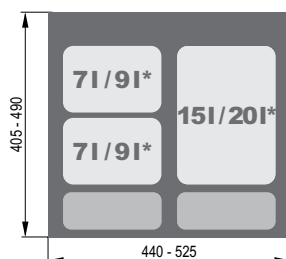
FRONT 60 PRAKTIKO

- triple • bins with covers included • plastic handles • for drawer depths L-450 and L-500 mm • insert trays can be cut to fit • bin capacity 2 x 7 l / 9 l* + 1 x 15 l / 20 l* • individual components available separately



Demonstrative images, handles are randomly selected and the same colour is not repeated in one set.

| height | index | colour |
|--------|--------------|--------|
| H=300 | WE14.1822.05 | 049 |
| H=400 | WE14.1828.05 | 049 |



* applies to height H=400

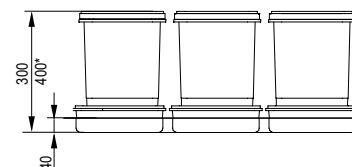
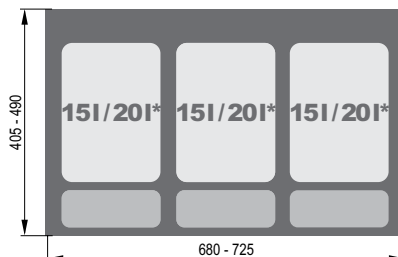
FRONT 80 PRAKTIKO

- triple • bins with covers included • plastic handles • for drawer depths L-450 and L-500 mm • insert trays can be cut to fit • bin capacity 3 x 15 l / 20 l* • individual components available separately



Demonstrative images, handles are randomly selected and the same colour is not repeated in one set.

| height | index | colour |
|--------|--------------|--------|
| H=300 | WE14.1823.05 | 049 |
| H=400 | WE14.1829.05 | 049 |



* applies to height H=400

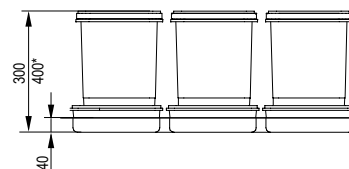
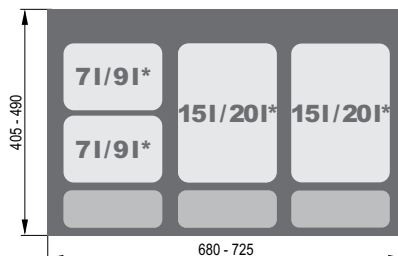
FRONT 80 PRAKTIKO

- quadruple • bins with covers included • plastic handles • for drawer depths L-450 and L-500 mm • insert trays can be cut to fit • bin capacity 2 x 7 l / 9 l* + 2 x 15 l / 20 l* • individual components available separately



Demonstrative images, handles are randomly selected and the same colour is not repeated in one set.

| height | index | colour |
|--------|--------------|--------|
| H=300 | WE14.1824.05 | 049 |
| H=400 | WE14.1830.05 | 049 |



* applies to height H=400

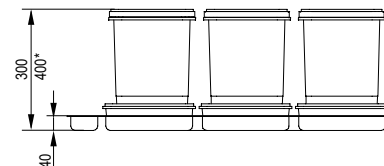
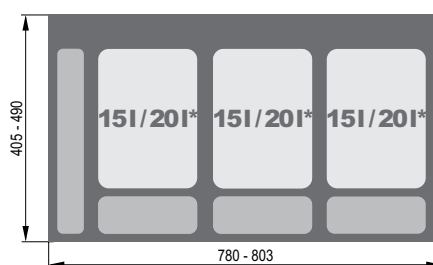
FRONT 90 PRAKTIKO

- triple • bins with covers included • plastic handles • for drawer depths L-450 and L-500 mm • insert trays can be cut to fit • bin capacity 3 x 15 l / 20 l* • individual components available separately



Demonstrative images, handles are randomly selected and the same colour is not repeated in one set.

| height | index | colour |
|--------|--------------|--------|
| H=300 | WE14.1825.05 | 049 |
| H=400 | WE14.1831.05 | 049 |



* applies to height H=400

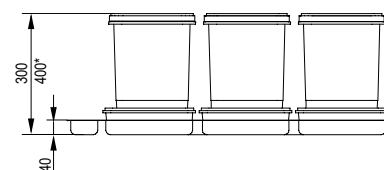
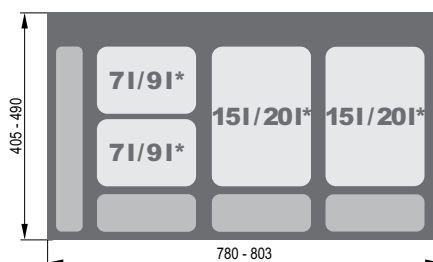
FRONT 90 PRAKTIKO

- quadruple • bins with covers included • plastic handles • for drawer depths L-450 and L-500 mm • insert trays can be cut to fit • bin capacity 2 x 7 l / 9 l* + 2 x 15 l / 20 l* • individual components available separately



Demonstrative images, handles are randomly selected and the same colour is not repeated in one set.

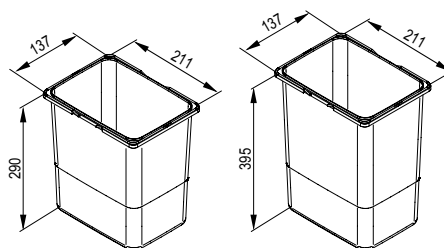
| height | index | colour |
|--------|--------------|--------|
| H=300 | WE14.1826.05 | 049 |
| H=400 | WE14.1832.05 | 049 |



* applies to height H=400

Universal wastebin for PRAKTIKO and JC 7 l / 9 l

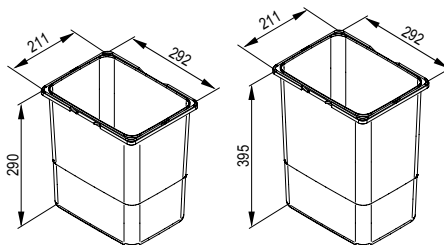
- bin 7 l / 9 l • cover available separately • suggested capacity of bags: 25 l • 7 l bin includes handles • 9 l bin without handles (available separately)



| volume | index | colour |
|--------|--------------|--------|
| 7 l | TE22.1980.05 | 049 |
| 9 l | TE22.1969.05 | 049 |

Universal wastebin for PRAKTIKO and JC 15 l / 20 l

- bin 15 l / 20 l • cover available separately • suggested capacity of bags: 35 l / 60 l • 15 l bin includes handles • 20 l bin without handles (available separately)



| volume | index | colour |
|--------|--------------|--------|
| 15 l | TE22.1981.05 | 049 |
| 20 l | TE22.1968.05 | 049 |

Wastebin handle PRAKTIKO and JC 7 l / 9 l and 15 l / 20 l

- plastic handle for PRAKTIKO and JC bins 7 l / 9 l and 15 l / 20 l



| for bins | index | colour |
|-------------|--------------|--------------------|
| 7 l / 9 l | TE22.6580.05 | 044, 046, 047, 089 |
| 15 l / 20 l | TE22.6568.05 | 044, 046, 047, 089 |

Bin lid PRAKTIKO and JC 7 l / 9 l and 15 l / 20 l

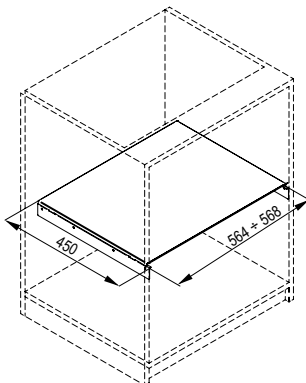
- Universal bin lid PRAKTIKO and JC 7 l / 9 l and 15 l / 20 l



| for bins | index | colour |
|-------------|--------------|--------|
| 7 l / 9 l | TE22.5680.05 | 049 |
| 15 l / 20 l | TE22.5668.05 | 049 |

Bin cover

- shelf for detergents • made of metal • silver • mounted to the sides of the cabinet corpus • recommended for PRAKTIKO bins or for individual arrangements

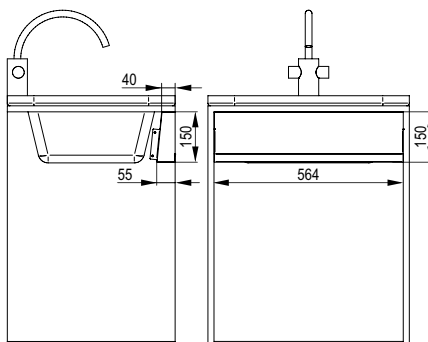


| index | colour |
|--------------|--------|
| WE28.2114.01 | 549 |



Cover - shelf for undersink cabinet

- shelf for small items • made of metal • silver color • fitted to the sides of the corpus

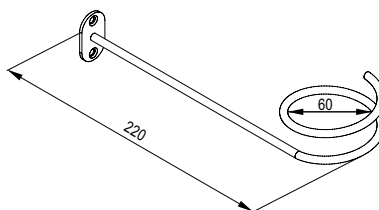


| index | colour |
|--------------|--------|
| WE28.2460.01 | 549 |

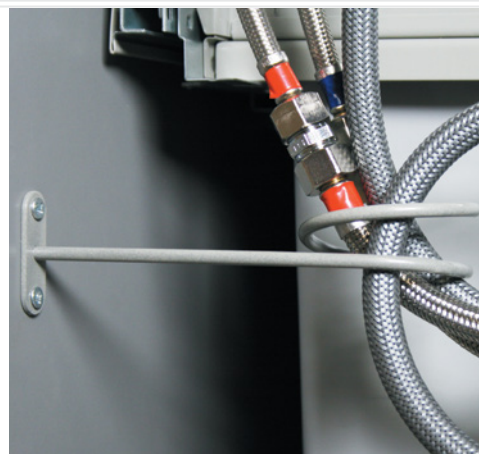


Distancer for sink hose

- distancer keeps hoses and wires in one place • made of metal • fitted to the side of the corpus

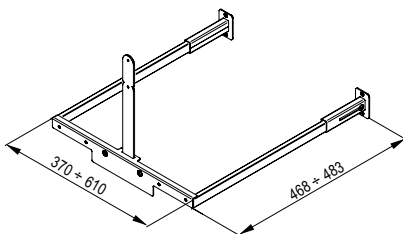


| index | colour |
|--------------|--------|
| WE28.2301.01 | 062 |



Frame for electrical drawer opening

- frame designed for MAXIMA drawers
- for drawer widths 45, 50, 60 and depths L-450 and L-500 and heights H=350 and H=410
- compatible with BLUM Servo Drive and Hettich EASYS

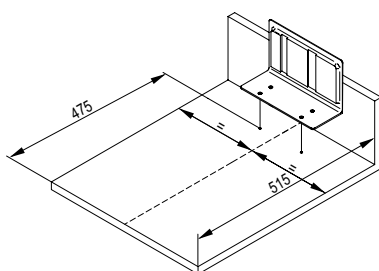


| index | colour |
|--------------|--------|
| WE28.2245.01 | 549 |

4

HETTICH EASYS / BLUM SERVO DRIVE

- electrical system, handle-free drawer opening



| index | typ |
|------------------|---------|
| TH05.0630.08.000 | Hettich |
| TH04.0943.05.063 | Blum |



MAXIMA drawer with wastebins are compatible with electromechanical opening system Easys by Hettich or Servo-Drive by Blum. Thanks to these systems, opening and closing drawers can be done by pressing the front of the drawer with your hand or knee, making them easier to use. It allows you to maintain clean cabinet fronts simultaneously providing soft-close.

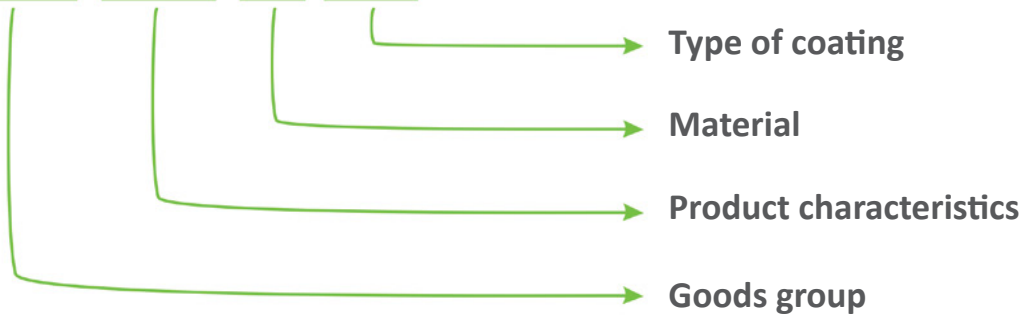
To get the electrical support of the drawer you must also purchase:

- the frame for electric drawer opening
- Easys Hettich system, or Servo-Drive system Blum

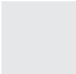












Index structure

WE03 . 7319 . 01 . 001



Coating codes

| | | | | |
|--|--|--|---|---|
|  002 SILVER |  007 GRAPHITE |  013 WHITE |  044 BLUE |  046 GREEN |
|  047 RED |  049 SILVER |  062 WHITE ZINC |  089 YELLOW |  549 SILVER DS |
|  924 GRAPHITE | | | | |



Notes



HEADQUARTERS:
REJS Spółka z o.o.
PL 87 - 500 Rypin
ul. Mławska 61
BOK tel. +48 54 280 56 51
sales@rejs.eu
www.rejs.eu